



# Single Lever Faucets

## B-2710

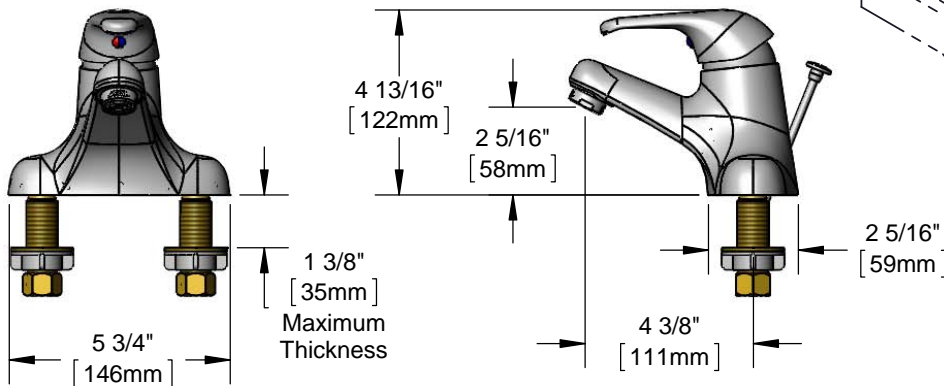
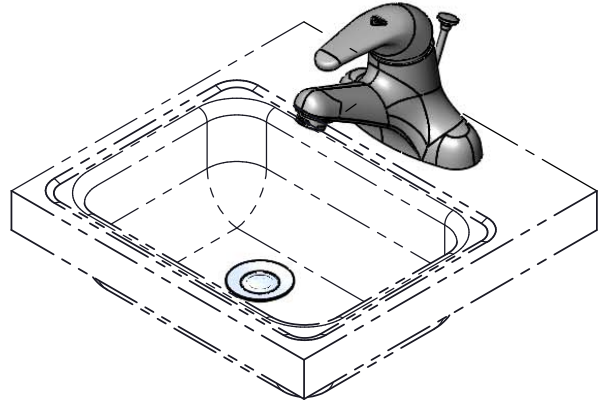
TAG:

### 4" Centerset Single Lever Faucet

#### Architect/Engineering Specifications:

4" centerset, deck mount lavatory single lever faucet, polished chrome brass body with integral spout, 2.2 GPM aerator, ceramic cartridge with adjustable temperature limit stop, single lever handle, 1/2" NPSM male inlets with coupling nuts and pop-up drain. Certified to ASME A112.18.1/CSA B125.1, NSF 61-Section 9 and NSF 372. Meets ADA ANSI/ICC A117.1 requirements.

Job Name \_\_\_\_\_  
 Model Specified \_\_\_\_\_ Quantity \_\_\_\_\_  
 Variations Specified \_\_\_\_\_  
 Date \_\_\_\_\_



#### Features & Benefits:

- 4" centerset, deck mount lavatory single lever faucet
- Polished chrome brass body with integral spout
- 2.2 GPM aerator, Series 4 (B-0199-04)
- Single lever handle with color coded index
- Ceramic cartridge with adjustable temperature limit stop
- 1/2" NPSM male inlets with coupling nuts
- Pop-up drain assembly, Ø1 1/4" brass tailpiece
- Mounting hardware and deck gasket
- Material: Polished chrome brass body, chrome plated metal handle and brass drain assembly with chrome plated drain stop

#### Product Compliance:

- ASME A112.18.1 / CSA B125.1
- NSF 61 - Section 9
- NSF 372 (Low Lead Content)
- ANSI A117.1 (ADA)



#### Warranty: One Year (Limited)

- Ceramic Cartridge: Two Year (Limited)

#### Performance Data:

- Pressure: 20 - 125 psi
- Temperature: 40 °F - 140 °F
- Flow Rate: 2.2 GPM @ 60 psi



ADA Compliant

#### Optional Outlets (Series 4 / VR Series 9)

| GPM  | Aerated                               | Non-Aerated (Laminar)                   | VR Aerated                            | VR Non-Aerated (VR Laminar)              |
|------|---------------------------------------|---|---------------------------------------|--|
| 0.35 | N/A                                   | <input type="checkbox"/> B-0199-04-N035 | N/A                                   | <input type="checkbox"/> B-0199-09-N035  |
| 0.5  | N/A                                   | <input type="checkbox"/> B-0199-04-N05  | N/A                                   | <input type="checkbox"/> B-0199-09-N05   |
| 1.0  | N/A                                   | N/A                                     | N/A                                   | <input type="checkbox"/> B-0199-09-LF-10 |
| 1.5  | <input type="checkbox"/> B-0199-04-WS | N/A                                     | <input type="checkbox"/> B-0199-09-WS | <input type="checkbox"/> B-0199-09-LF-15 |
| 2.2  | Standard                              | <input type="checkbox"/> B-0199-25      | <input type="checkbox"/> B-0199-09    | <input type="checkbox"/> B-0199-27       |



T&S BRASS AND BRONZE WORKS, INC.



• 2 Saddleback Cove • Travelers Rest, SC 29690  
 Ph 800-476-4103 • Fax 864-834-3518  
 • Simi Valley, CA • Ph 800-423-0150 • www.tsbrass.com

Date: 07/23/16