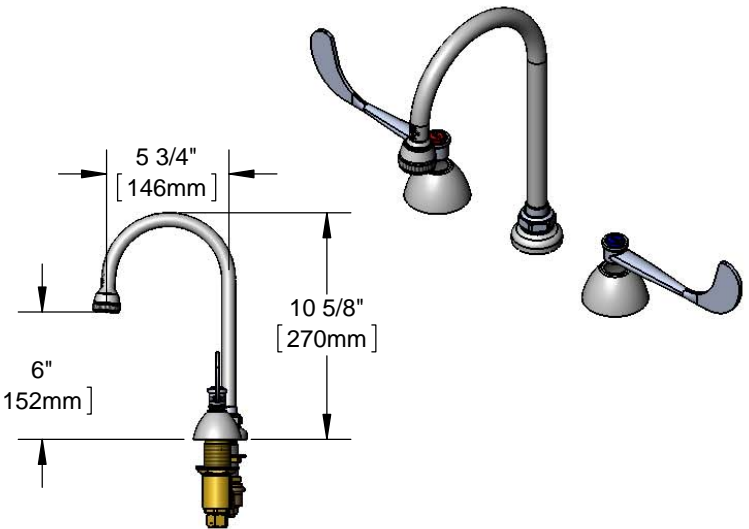
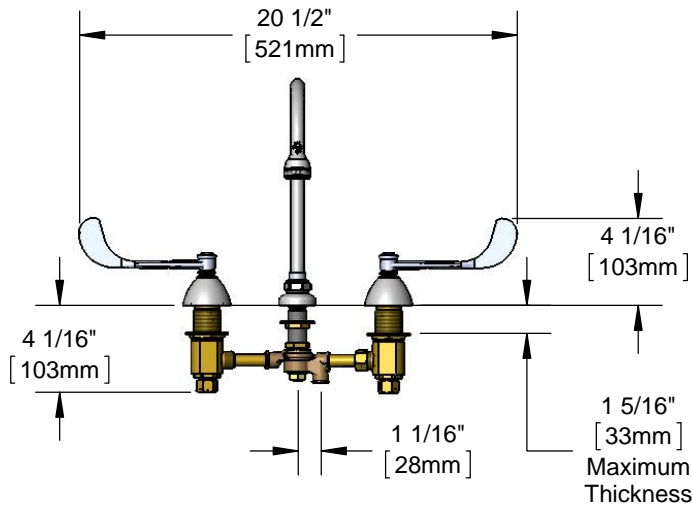




Architect/Engineering Specifications:

8" adjustable center, deck mount mixing faucet, swivel/rigid gooseneck with rosespray outlet, compression cartridges, 6" wrist action handles, chrome plated escutcheons, pedal valve inlet and 1/2" NPT male inlets. Certified to ASME A112.18.1/CSA B125.1, NSF 61-Section 9 and NSF 372. Meets ADA ANSI/ICC A117.1 requirements.

Job Name _____
 Model Specified _____ Quantity _____
 Variations Specified _____
 Date _____



Features & Benefits:

- 8" (max.) adjustable center, deck mount lavatory mixing faucet
- 5 3/4" swivel/rigid gooseneck
- Rosespray outlet, Series 1
- 6" chrome plated brass wrist action handles with color coded indexes
- Eterna compression cartridges
- 1/2" NPSM male inlets with coupling nuts
- 1/4" NPT female pedal valve inlet
- Material: Brass body, chrome plated brass handles & tubular spout and chrome plated metal escutcheons

Product Compliance:

- ASME A112.18.1 / CSA B125.1
- NSF 61 - Section 9
- NSF 372 (Low Lead Content)
- ANSI A117.1 (ADA)

Warranty: One Year (Limited)

Performance Data:

- Pressure: 20 - 125 psi
- Temperature: 40°F - 140°F
- Flow Rate: 9.56 GPM @ 60 psi



ADA Compliant

Optional Outlets (Series 1 / VR Series 6)

GPM	Aerated	Non-Aerated (Laminar)	VR Aerated	VR Non-Aerated (VR Laminar)	Optional Handles	Optional Cartridges
0.35	N/A	<input type="checkbox"/> B-0199-01-N035	N/A	<input type="checkbox"/> B-0199-06-N035	<input type="checkbox"/> 4" Wrist Action (Standard)	<input type="checkbox"/> Quarter Turn Cerama <input type="checkbox"/> Eterna (Standard)
0.5	N/A	<input type="checkbox"/> B-0199-01-N05	N/A	<input type="checkbox"/> B-0199-06-N05		
1.0	<input type="checkbox"/> B-0199-01-F10	N/A	<input type="checkbox"/> B-0199-06-F10	N/A	<input type="checkbox"/> Lever <input type="checkbox"/> 4-Arm	<input type="checkbox"/> Quarter Turn Eterna <input type="checkbox"/> Push Button Metering <input type="checkbox"/> Pivot Action Metering <input type="checkbox"/> Wrist Action Metering
1.5	<input type="checkbox"/> B-0199-01-WS	<input type="checkbox"/> B-0199-29	<input type="checkbox"/> B-0199-06-WS	<input type="checkbox"/> B-0199-29VR		
2.2	<input type="checkbox"/> B-0199-01	<input type="checkbox"/> B-0199-21	<input type="checkbox"/> B-0199-06	<input type="checkbox"/> B-0199-21-VRF		

