



T&S BRASS AND BRONZE WORKS, INC.

2 Saddleback Cove / P.O. Box 1088
Travelers Rest, SC 29690



REG. #A2601
ISO #9001

Model No.

B-0674-POL

Item No.

Travelers Rest, SC: 800-476-4103 • Simi Valley, CA: 800-423-0150 • Fax: 864-834-3518 • www.tsbrass.com

This Space for Architect/Engineer Approval

Job Name _____ Date _____

Model Specified _____ Quantity _____

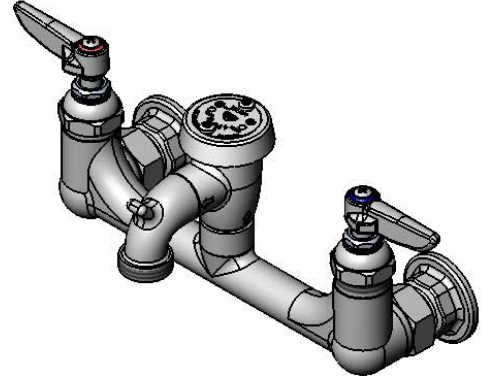
Customer/Wholesaler _____

Contractor _____

Architect/Engineer _____



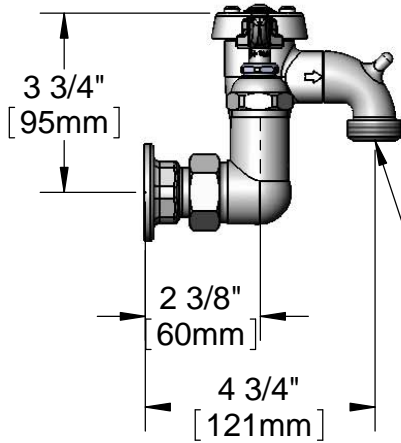
ADA Compliant



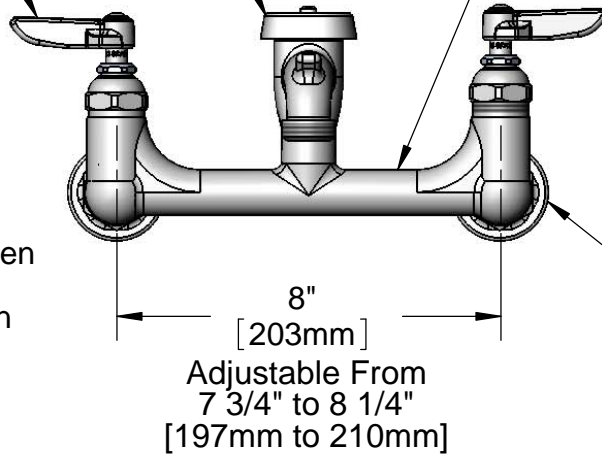
Eterna Cartridges
w/ Spring Check &
Lever Handles w/
Color Coded Indexes

B-0969
1/2" NPT
Atmospheric
Vacuum
Breaker

Polished Chrome
Finish on Faucet
Body & Spout



Male Garden
Hose
Connection



Ø 2" [51mm]
Flanges w/
1/2" NPT
Female Inlets

Product Specifications:
Polished Chrome Service Sink, Eterna Cartridges
w/ Spring Checks, Lever Handles

Drawn

DHL

Checked

KJG

Approved

JHB

Scale:

1:4

Date:

09/22/11



T&S BRASS AND BRONZE WORKS, INC.

2 Saddleback Cove / P.O. Box 1088
Travelers Rest, SC 29690



REG. #A2601
ISO #9001

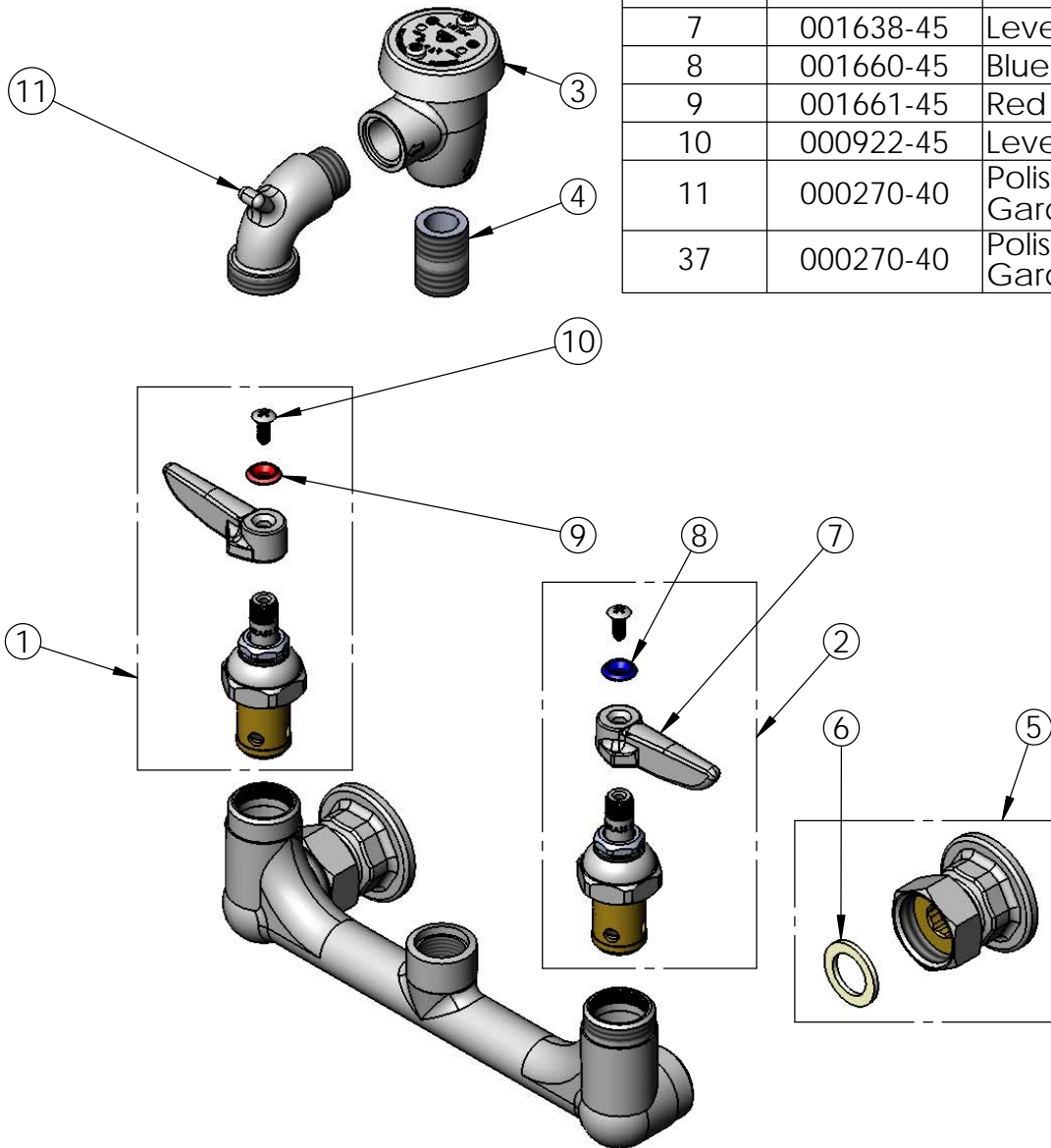
Model No.

B-0674-POL

Item No.

Travelers Rest, SC: 800-476-4103 • Simi Valley, CA: 800-423-0150 • Fax: 864-834-3518 • www.tsbrass.com

ITEM NO.	SALES NO.	DESCRIPTION
1	002712-40	Eterna Cartridge - RTC
2	002711-40	Eterna Cartridge - LTC
3	B-0969	1/2" NPT Vacuum Breaker
4	002534-25	Close Nipple, 1/2"
5	00AA	1/2" NPT Coupling Flange
6	001019-45	Coupling Nut Washer
7	001638-45	Lever Handle
8	001660-45	Blue Index-CW
9	001661-45	Red Index-HW
10	000922-45	Lever Handle Screw
11	000270-40	Polished Chrome Spout w/ Garden Hose Outlet
37	000270-40	Polished Chrome Spout w/ Garden Hose Outlet



Product Specifications:
Polished Chrome Service Sink, Eterna Cartridges
w/ Spring Checks, Lever Handles

Drawn DHL	Checked KJG	Approved JHB
Scale: NTS		Date: 09/22/11