



T&S BRASS AND BRONZE WORKS, INC.
 2 Saddleback Cove / P.O. Box 1088
 Travelers Rest, SC 29690

Model No.
B-0275

Item No.

Travelers Rest, SC: 800-476-4103 • Simi Valley, CA: 800-423-0150 • Fax: 864-834-3518 • www.tsbrass.com



ADA Compliant

This Space for Architect/Engineer Approval

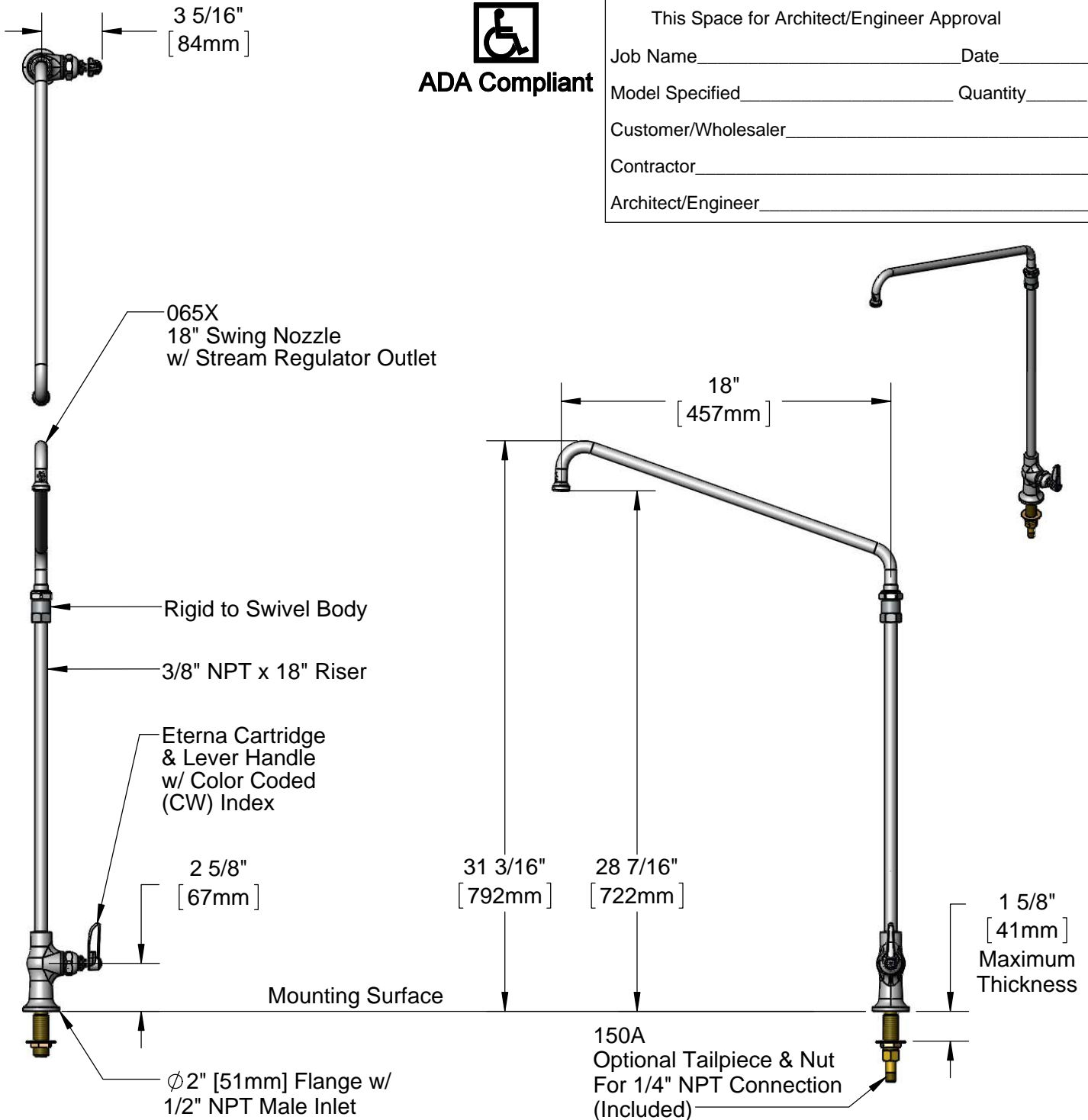
Job Name _____ Date _____

Model Specified _____ Quantity _____

Customer/Wholesaler _____

Contractor _____

Architect/Engineer _____



Rough-In Requirement:
 ϕ 1" [25mm] Mounting Hole

Product Specifications:
 Single Hole Single Temperature Deck Mount Faucet, Eterna
 Cartridge, Lever Handle, 18" Swing Nozzle, 18" Riser & 1/2" NPSM
 Male Inlet

Product Compliance:
 ASME A112.18.1 / CSA B125.1
 NSF 61 - Section 9
 NSF 372 (Low Lead Content)
 ANSI A117.1 (ADA)



T&S BRASS AND BRONZE WORKS, INC.

2 Saddleback Cove / P.O. Box 1088
Travelers Rest, SC 29690

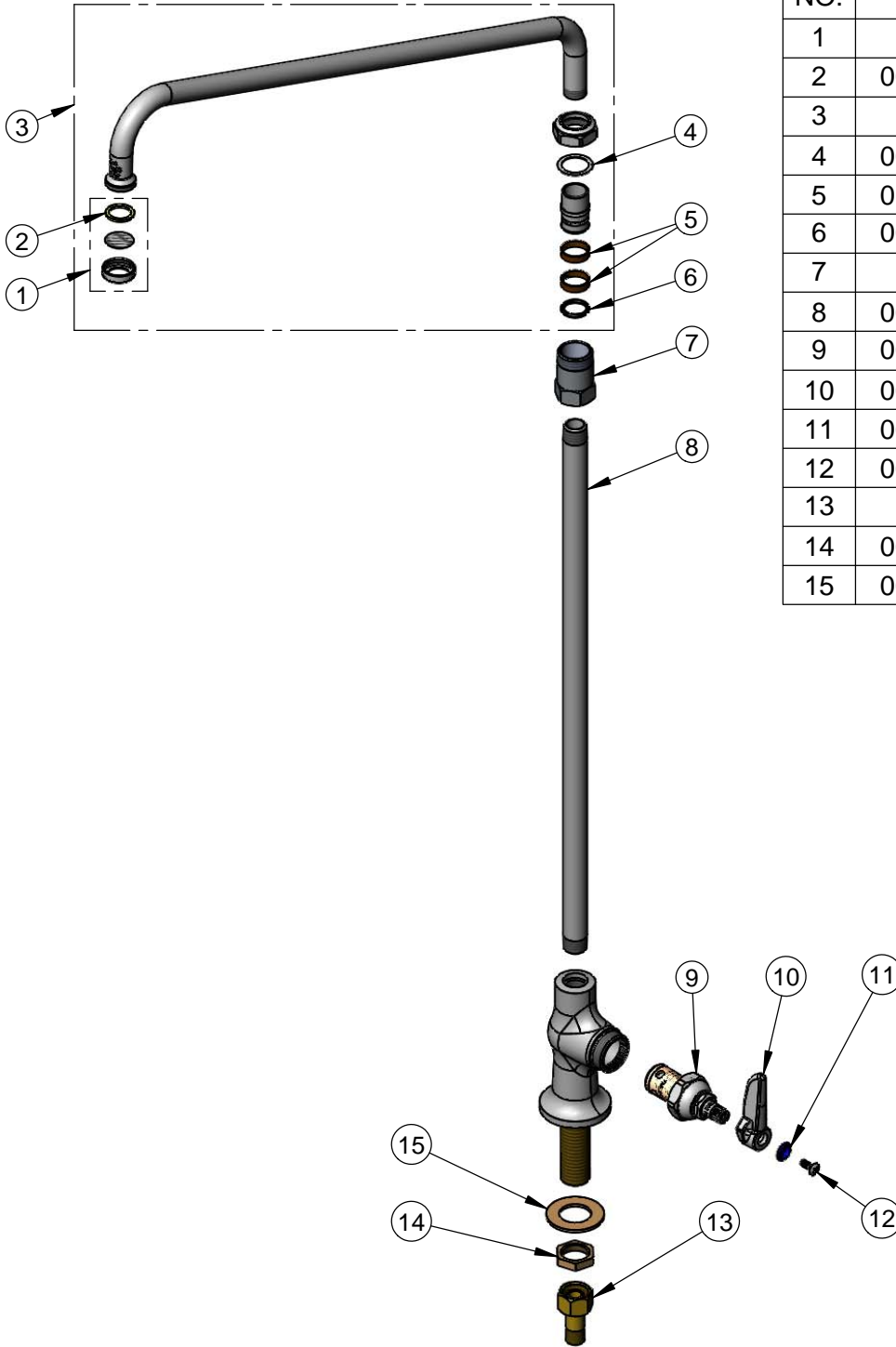
Model No.

B-0275

Item No.

Travelers Rest, SC: 800-476-4103 • Simi Valley, CA: 800-423-0150 • Fax: 864-834-3518 • www.tsbrass.com

| ITEM NO. | SALES NO. | DESCRIPTION |
|----------|-----------|--------------------------|
| 1 | B-PT | Stream Regulator Outlet |
| 2 | 001048-45 | Nozzle Tip Washer |
| 3 | 065X | 18" Swing Nozzle |
| 4 | 009538-45 | Swivel Washer |
| 5 | 011429-45 | Swivel Sleeves (2) |
| 6 | 001074-45 | O-Ring |
| 7 | 054X | Swivel Body |
| 8 | 000369-40 | 3/8" NPT x 18" Riser |
| 9 | 005960-40 | Eterna Cartridge, RTC |
| 10 | 001638-45 | Lever Handle |
| 11 | 001660-45 | Blue Index-CW |
| 12 | 000922-45 | Lever Handle Screw |
| 13 | 150A | 1/4" NPT Tailpiece & Nut |
| 14 | 002954-45 | Shank Lock Nut |
| 15 | 000999-45 | Brass Lock Washer |



Product Specifications:

Single Hole Single Temperature Deck Mount Faucet, Eterna Cartridge, Lever Handle, 18" Swing Nozzle, 18" Riser & 1/2" NPSM Male Inlet

Product Compliance:

ASME A112.18.1 / CSA B125.1
NSF 61 - Section 9
NSF 372 (Low Lead Content)
ANSI A117.1 (ADA)