



# T&S BRASS AND BRONZE WORKS, INC.

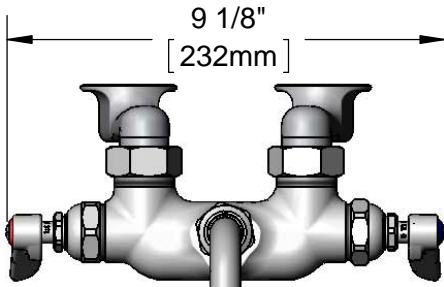
2 Saddleback Cove / P.O. Box 1088  
Travelers Rest, SC 29690

Model No.

**B-0236**

Item No.

Travelers Rest, SC: 800-476-4103 • Simi Valley, CA: 800-423-0150 • Fax: 864-834-3518 • www.tsbrass.com



**ADA Compliant**

This Space for Architect/Engineer Approval

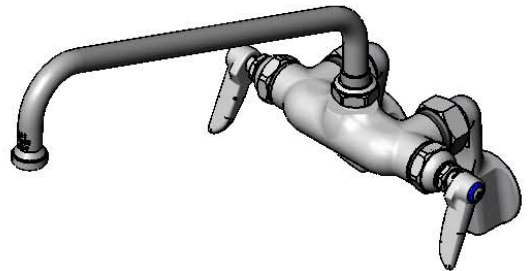
Job Name \_\_\_\_\_ Date \_\_\_\_\_

Model Specified \_\_\_\_\_ Quantity \_\_\_\_\_

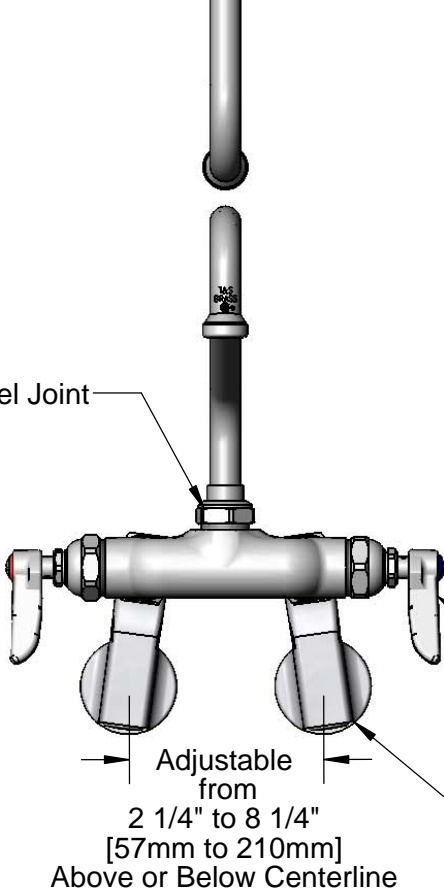
Customer/Wholesaler \_\_\_\_\_

Contractor \_\_\_\_\_

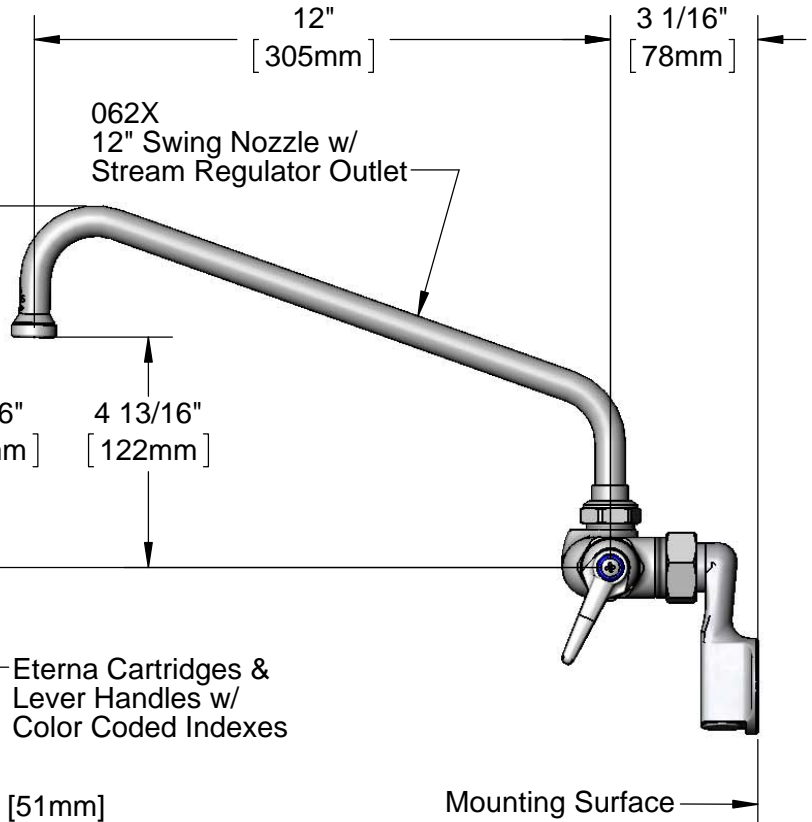
Architect/Engineer \_\_\_\_\_



Swivel Joint



Adjustable from  
2 1/4" to 8 1/4"  
[57mm to 210mm]  
Above or Below Centerline



062X  
12" Swing Nozzle w/  
Stream Regulator Outlet

Eterna Cartridges &  
Lever Handles w/  
Color Coded Indexes

Ø 2" [51mm]  
Wall Flange w/  
1/2" NPT  
Female Inlet

Mounting Surface

### Product Specifications:

Wall Mount Mixing Faucet, Eterna Cartridges, Lever Handles,  
12" Swing Nozzle & 1/2" NPT Female Adjustable Inlets

### Product Compliance:

ASME A112.18.1 / CSA B125.1  
NSF 61 - Section 9  
NSF 372 (Low Lead Content)  
ANSI A117.1 (ADA)



# T&S BRASS AND BRONZE WORKS, INC.

2 Saddleback Cove / P.O. Box 1088  
Travelers Rest, SC 29690

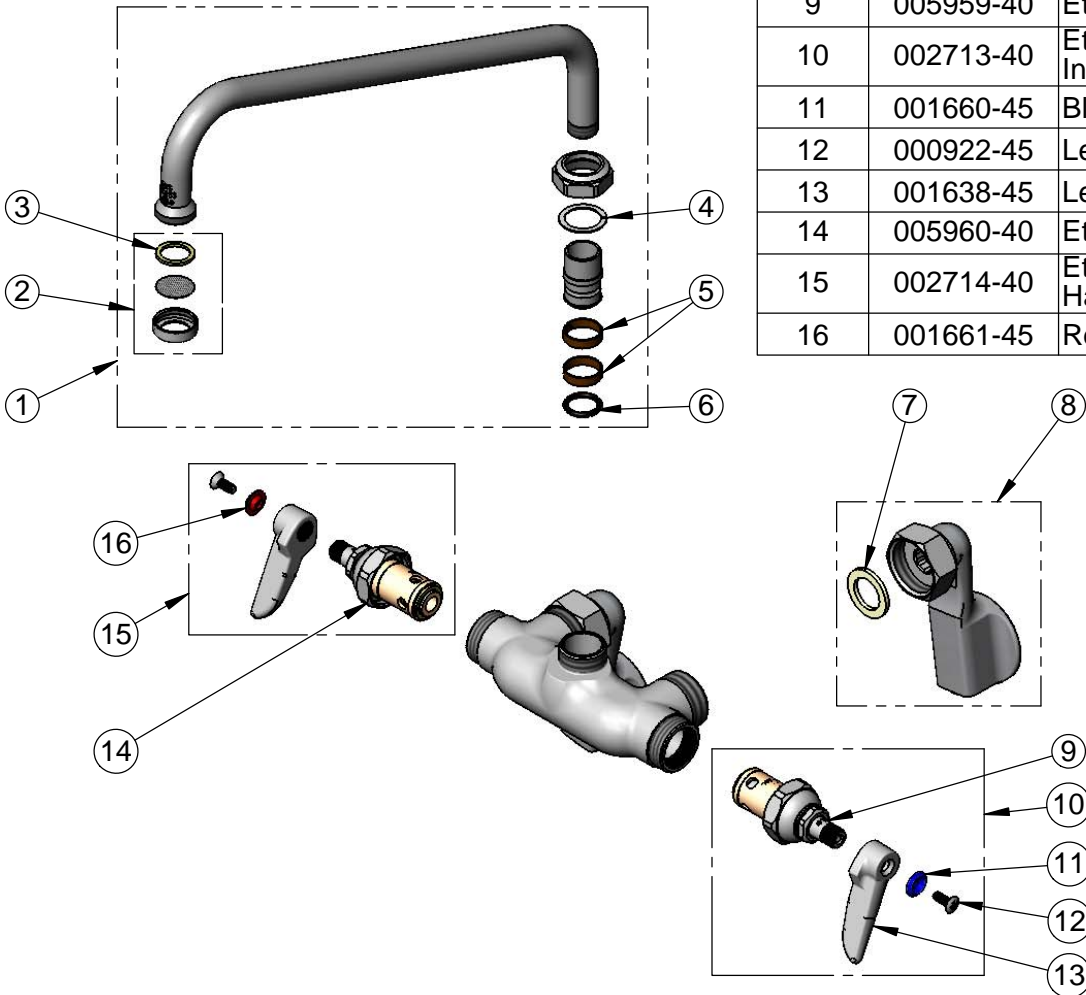
Model No.

**B-0236**

Item No.

Travelers Rest, SC: 800-476-4103 • Simi Valley, CA: 800-423-0150 • Fax: 864-834-3518 • www.tsbrass.com

ITEM NO.	SALES NO.	DESCRIPTION
1	062X	12" Swivel Nozzle
2	B-PT	Stream Regulator Outlet
3	001048-45	Nozzle Tip Washer
4	009538-45	Swivel Washer
5	011429-45	Swivel Sleeves (2)
6	001074-45	O-Ring
7	001019-45	Coupling Nut Washer
8	00GG	1/2" NPT Female Adjustable Arm Inlet Flange
9	005959-40	Eterna Cartridge, LTC
10	002713-40	Eterna Cartridge, LTC w/ Handle, Index & Screw
11	001660-45	Blue Index-CW
12	000922-45	Lever Handle Screw
13	001638-45	Lever Handle
14	005960-40	Eterna Cartridge, RTC
15	002714-40	Eterna Cartridge, RTC w/ Handle, Index & Screw
16	001661-45	Red Index-HW



**Product Specifications:**

Wall Mount Mixing Faucet, Eterna Cartridges, Lever Handles, 12" Swing Nozzle & 1/2" NPT Female Adjustable Inlets

**Product Compliance:**

ASME A112.18.1 / CSA B125.1  
NSF 61 - Section 9  
NSF 372 (Low Lead Content)  
ANSI A117.1 (ADA)