



T&S BRASS AND BRONZE WORKS, INC.
 2 Saddleback Cove / P.O. Box 1088
 Travelers Rest, SC 29690

Model No.
163A

Item No.

Travelers Rest, SC: 800-476-4103 • Simi Valley, CA: 800-423-0150 • Fax: 864-834-3518 • www.tsbrass.com

This Space for Architect/Engineer Approval

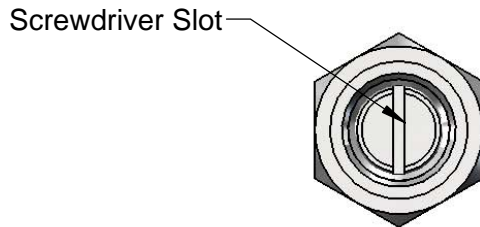
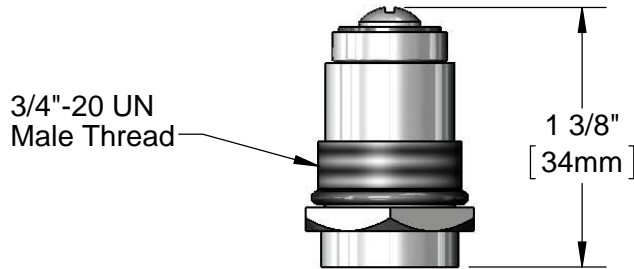
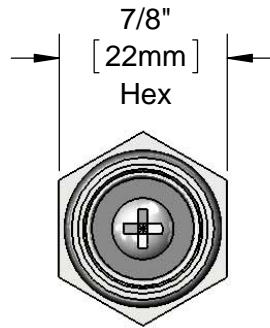
Job Name _____ Date _____

Model Specified _____ Quantity _____

Customer/Wholesaler _____

Contractor _____

Architect/Engineer _____



Product Specifications:
Built In Screwdriver Stop (BST)

Drawn KJG	Checked DMH	Approved JHB
Scale: 1:1		Date: 10/29/13



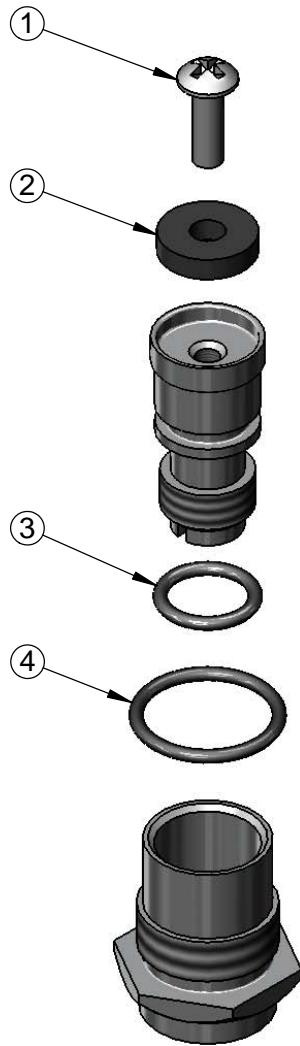
T&S BRASS AND BRONZE WORKS, INC.
 2 Saddleback Cove / P.O. Box 1088
 Travelers Rest, SC 29690

Model No.
163A

Item No.

Travelers Rest, SC: 800-476-4103 • Simi Valley, CA: 800-423-0150 • Fax: 864-834-3518 • www.tsbrass.com

ITEM NO.	SALES NO.	DESCRIPTION
1	000933-45	B-1100 Seat Washer Screw
2	001092-45	Seat Washer
3	001063-45	O-Ring
4	001062-45	O-Ring



Product Specifications:
 Built In Screwdriver Stop (BST)

Drawn KJG	Checked DMH	Approved JHB
Scale: NTS		Date: 10/29/13