



T&S BRASS AND BRONZE WORKS, INC.

2 Saddleback Cove / P.O. Box 1088
Travelers Rest, SC 29690

Model No.

014207-40

Item No.

Travelers Rest, SC: 800-476-4103 • Simi Valley, CA: 800-423-0150 • Fax: 864-834-3518 • www.tsbrass.com



ADA Compliant

This Space for Architect/Engineer Approval

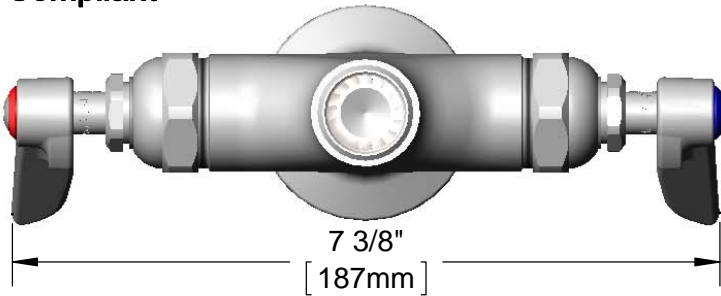
Job Name _____ Date _____

Model Specified _____ Quantity _____

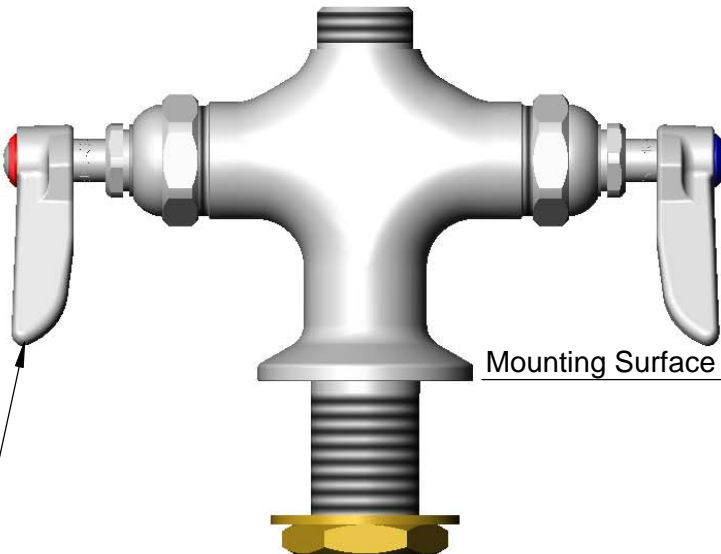
Customer/Wholesaler _____

Contractor _____

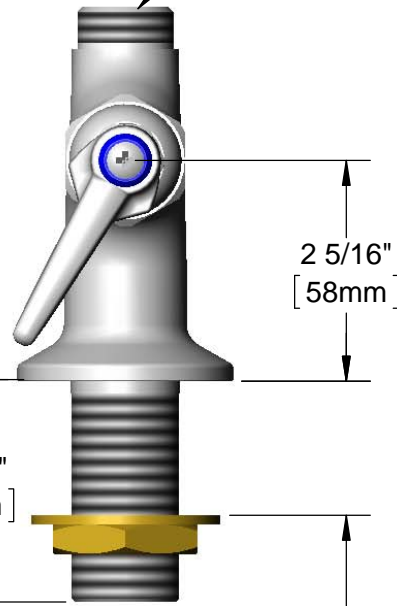
Architect/Engineer _____



Outlet Accepts Standard T&S EasyInstall Risers



Mounting Surface



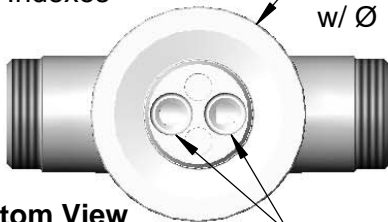
2 5/16"
[58mm]

2 5/16"
[59mm]

1 3/8"
[35mm]
Maximum
Thickness

Eterna Cartridges w/
Spring Checks &
Lever Handles w/
Color Coded Indexes

Ø 2 1/4" [57mm] Flange
w/ Ø 1 1/8" [29mm] Shank



Bottom View

Hot & Cold Inlets For
012534-45 Flexible Supply
Hoses (Sold Separately)

Rough-In Requirement:
Ø 1 1/2" [38mm] Mounting Hole

Product Specifications:

Pre-Rinse Unit: Single Hole Deck Mount EasyInstall Mixing
Faucet, Eterna Cartridges w/ Spring Checks, Lever Handles
& Ø 1 1/8" Inlet Shank

Product Compliance:

ASME A112.18.1 / CSA B125.1
NSF 61 - Section 9
NSF 372 (Low Lead Content)
ANSI A117.1 (ADA)



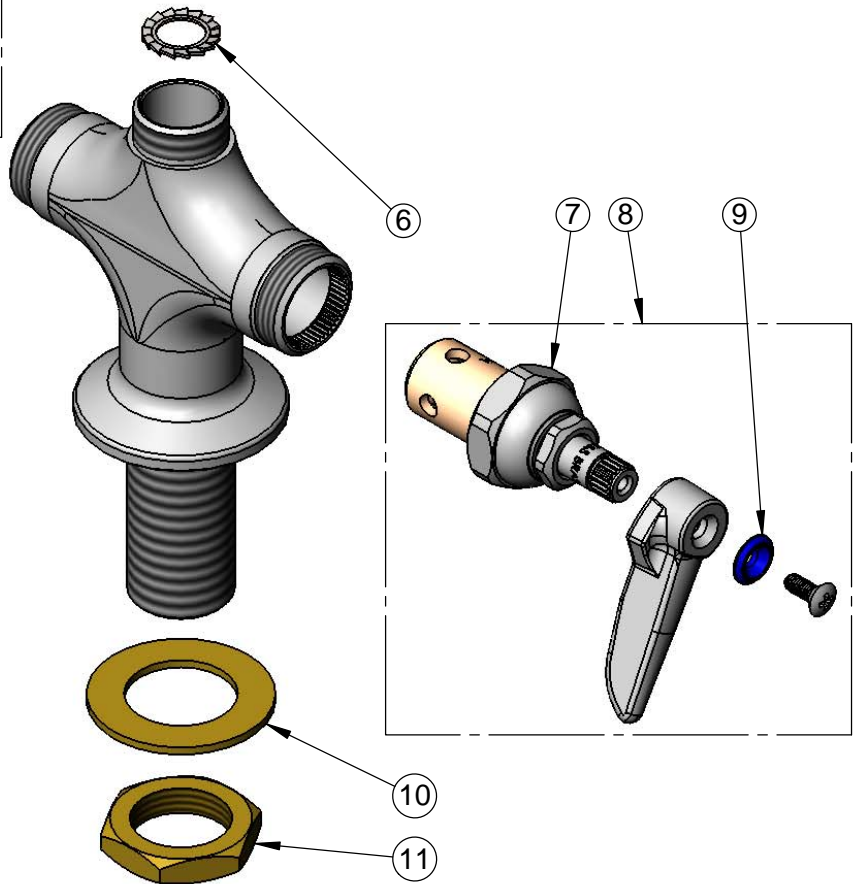
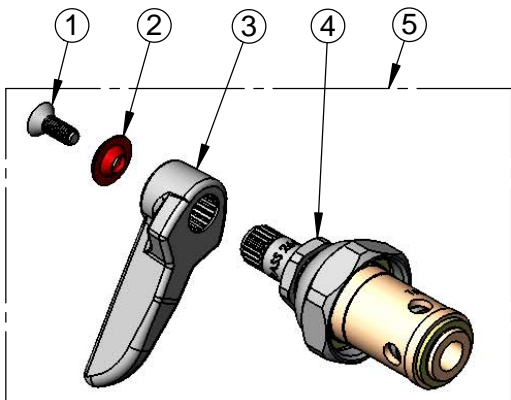
T&S BRASS AND BRONZE WORKS, INC.
 2 Saddleback Cove / P.O. Box 1088
 Travelers Rest, SC 29690

Model No.
014207-40

Item No.

Travelers Rest, SC: 800-476-4103 • Simi Valley, CA: 800-423-0150 • Fax: 864-834-3518 • www.tsbrass.com

ITEM NO.	SALES NO.	DESCRIPTION
1	000922-45	Lever Handle Screw
2	001661-45	Red Index-HW
3	001638-45	Lever Handle
4	012443-40	Eterna Cartridge, RTC w/ Spring Check
5	002712-40	Eterna Cartridge, RTC w/ Spring Check, Lever Handle, Index & Screw
6	014200-45	Star Washer, Anti-Rotation
7	012442-40	Eterna Cartridge, LTC w/ Spring Check
8	002711-40	Eterna Cartridge, LTC w/ Spring Check, Lever Handle, Index & Screw
9	001660-45	Blue Index-CW
10	002290-45	Lock Washer
11	000965-45	Lock Nut



Product Specifications:
 Pre-Rinse Unit: Single Hole Deck Mount EasyInstall Mixing
 Faucet, Eterna Cartridges w/ Spring Checks, Lever Handles
 & Ø 1 1/8" Inlet Shank

Product Compliance:
 ASME A112.18.1 / CSA B125.1
 NSF 61 - Section 9
 NSF 372 (Low Lead Content)
 ANSI A117.1 (ADA)