



Architect/Engineering Specifications:

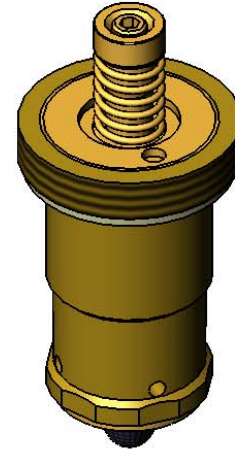
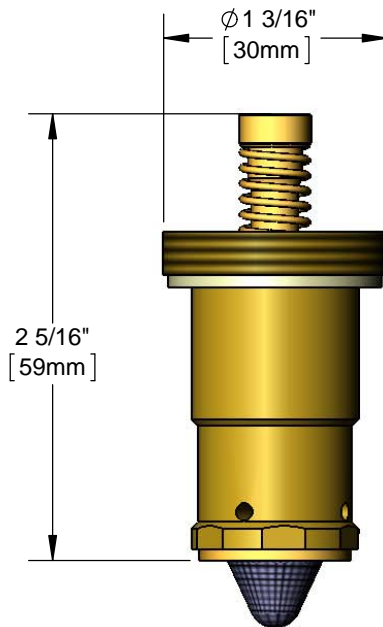
Metering barrel assembly. Certified to ASME A112.18.1/CSA B125.1, NSF 61-Section 9 and NSF 372.

Job Name _____

Model Specified _____ Quantity _____

Variations Specified _____

Date _____



Features & Benefits:

- Metering barrel assembly
- Material: Brass

Product Compliance:

- ASME A112.18.1 / CSA B125.1
- NSF 372 (Low Lead Content)
- NSF 61 - Section 9

Warranty: One Year (Limited)

Performance Data:

- N/A

