



**T&S BRASS AND BRONZE WORKS, INC.**  
2 Saddleback Cove / P.O. Box 1088  
Travelers Rest, SC 29690

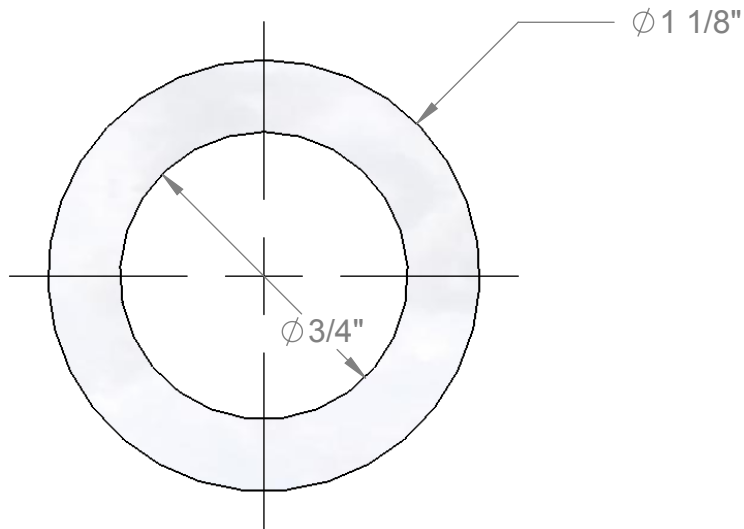
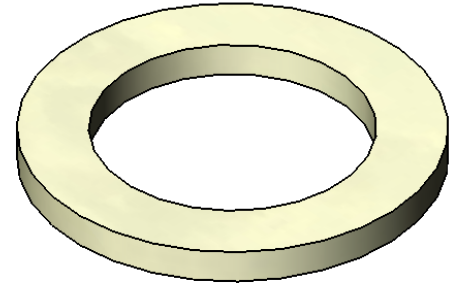


REG. #A2601  
ISO #9001

Model No.  
**001019-45**

Item No.

Travelers Rest, SC: 800-476-4103 Simi Valley, CA: 800-423-0150 Fax: 864-834-3518 www.tsbrass.com



Product Specifications:

**COUPLING NUT WASHER**

Drawn  
GEF

Checked  
JRM

Approved  
JHB

Scale:

2:1

Date:

06-26-07