



# T&S BRASS AND BRONZE WORKS, INC.

2 Saddleback Cove / P.O. Box 1088  
Travelers Rest, SC 29690

Model No.

**B-0490-01**

Item No.

Travelers Rest, SC: 800-476-4103 • Simi Valley, CA: 800-423-0150 • Fax: 864-834-3518 • www.tsbrass.com



**ADA Compliant**

This Space for Architect/Engineer Approval

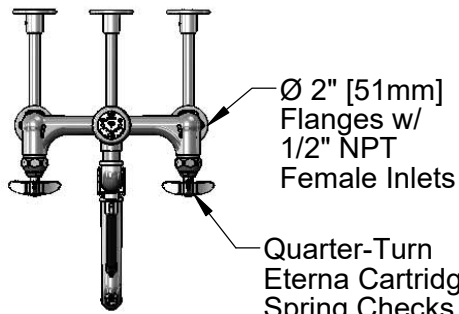
Job Name \_\_\_\_\_ Date \_\_\_\_\_

Model Specified \_\_\_\_\_ Quantity \_\_\_\_\_

Customer/Wholesaler \_\_\_\_\_

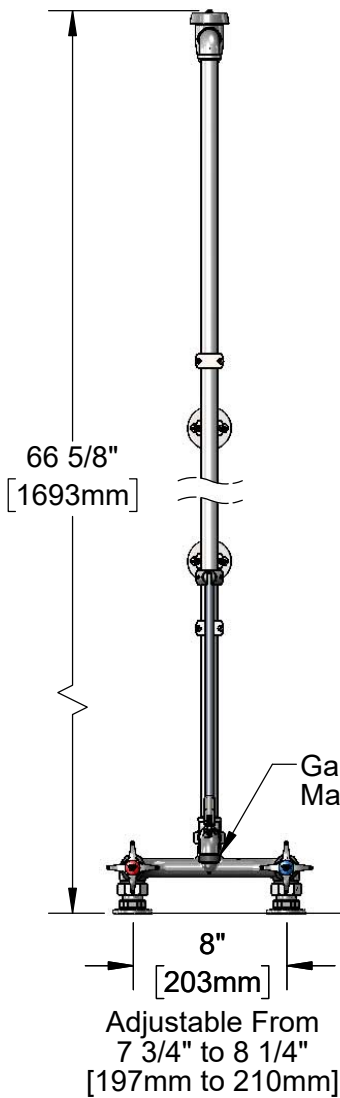
Contractor \_\_\_\_\_

Architect/Engineer \_\_\_\_\_



Ø 2" [51mm]  
Flanges w/  
1/2" NPT  
Female Inlets

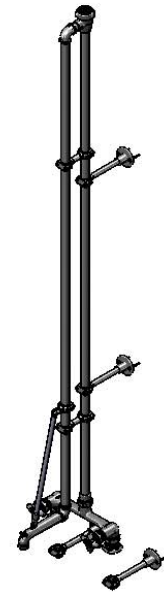
Quarter-Turn  
Eterna Cartridge w/  
Spring Checks &  
4-Arm Handles w/  
Color Coded Indexes



Garden Hose  
Male Thread

3 15/16"  
[100mm]

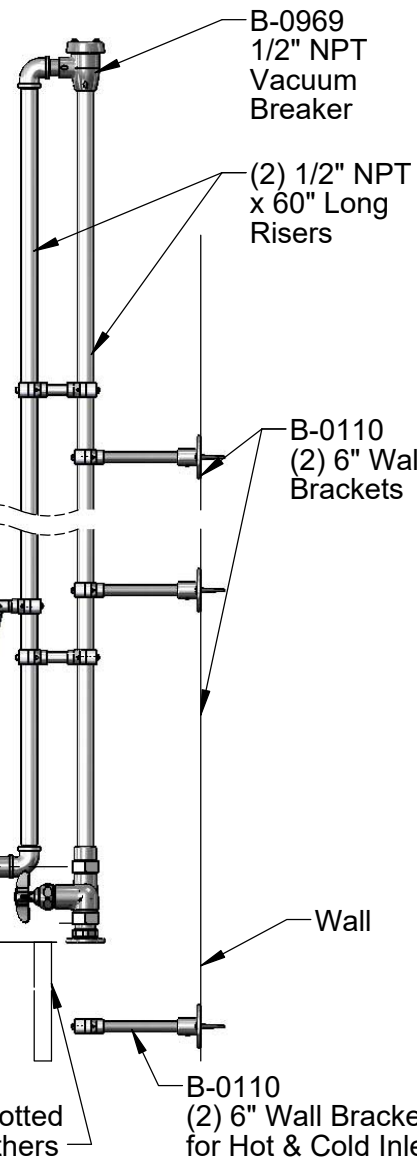
Mounting Surface



Nozzle  
Support  
Bracket

2 5/8"  
[67mm]

Piping Shown Dotted  
Furnished By Others



**Product Specifications:**

8" Deck Mount Service Sink Mixing Faucet w/ Elevated Vacuum Breaker, 6" Wall Brackets, Braced Nozzle, Quarter-Turn Eterna Cartridges w/ Spring Checks & 4-Arm Handles

**Product Compliance:**

ASME A112.18.1 / CSA B125.1  
NSF 61 - Section 9  
NSF 372 (Low Lead Content)  
ASSE 1001 (VB)  
ANSI A117.1 (ADA)



# T&S BRASS AND BRONZE WORKS, INC.

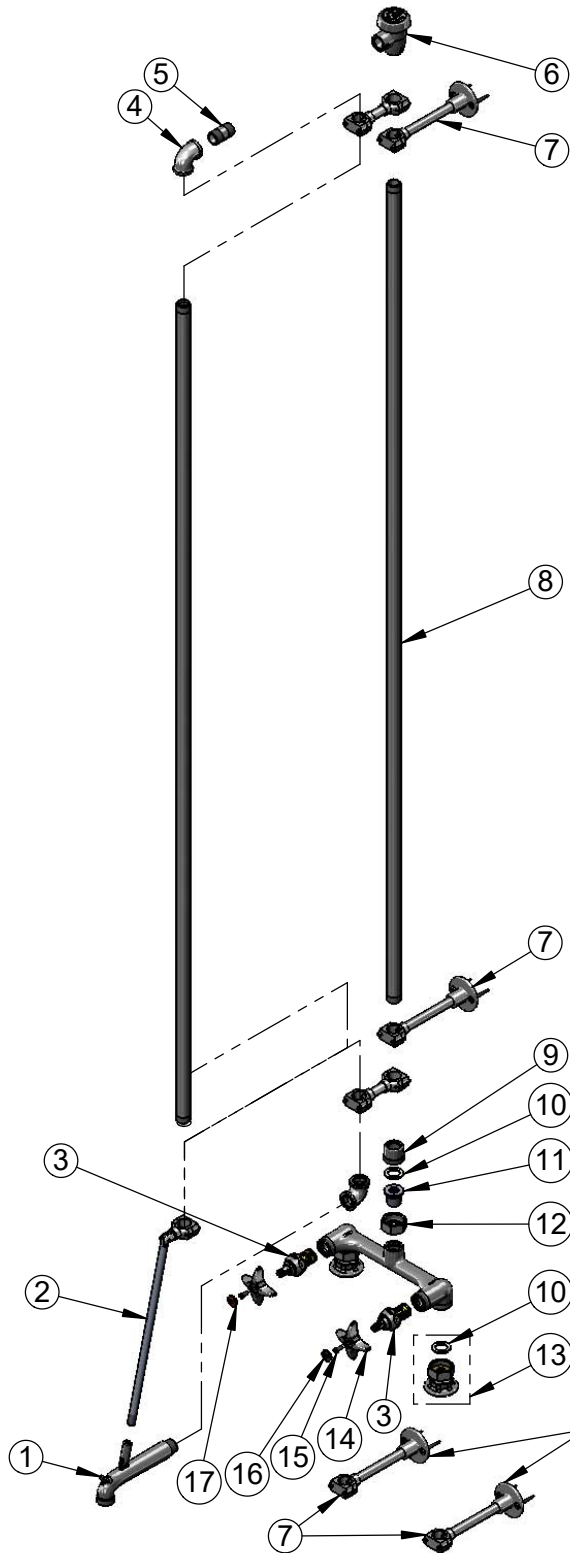
2 Saddleback Cove / P.O. Box 1088  
Travelers Rest, SC 29690

Model No.

**B-0490-01**

Item No.

Travelers Rest, SC: 800-476-4103 • Simi Valley, CA: 800-423-0150 • Fax: 864-834-3518 • www.tsbrass.com



ITEM NO.	SALES NO.	DESCRIPTION
1	009545-40	Nozzle w/ Upper Clevis (Chrome Plated)
2	009541-40	Nozzle Upper Support
3	012443-40NS	Quarter-Turn Eterna Cartridge w/ Spring Check, RTC
4	001357-40	1/2" NPT Cast Round Elbow
5	001509-40	1/2" NPT x 1 1/2" Long Nipple
6	B-0969	1/2" NPT Vacuum Breaker
7	B-0110	6" Wall Bracket
8	001678-40	1/2" NPT x 60" Long Nipple
9	000870-40	Union, Male Half (Plated)
10	001019-45	Coupling Nut Washer
11	000688-25	Insert, 1/2 NPT Male Union
12	000721-25	Flange Coupling Nut
13	00AA	1/2" NPT Female Inlet Flange
14	002521-45NS	4-Arm Handle (New Style)
15	000925-45	Lab Handle Screw
16	018506-19NS	Blue Button Index, Press-in
17	001193-19NS	Red Button Index, Press-in

Wall Brackets for Hot & Cold Inlet Plumbing

**Product Specifications:**

8" Deck Mount Service Sink Mixing Faucet w/ Elevated Vacuum Breaker, 6" Wall Brackets, Braced Nozzle, Quarter-Turn Eterna Cartridges w/ Spring Checks & 4-Arm Handles

**Product Compliance:**

ASME A112.18.1 / CSA B125.1  
NSF 61 - Section 9  
NSF 372 (Low Lead Content)  
ASSE 1001 (VB)  
ANSI A117.1 (ADA)