



T&S BRASS AND BRONZE WORKS, INC.
 2 Saddleback Cove / P.O. Box 1088
 Travelers Rest, SC 29690

Model No.
0RK3

Item No.

Travelers Rest, SC: 800-476-4103 • Simi Valley, CA: 800-423-0150 • Fax: 864-834-3518 • www.tsbrass.com

This Space for Architect/Engineer Approval

Job Name _____ Date _____

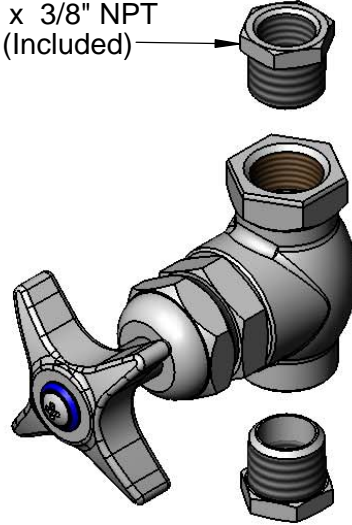
Model Specified _____ Quantity _____

Customer/Wholesaler _____

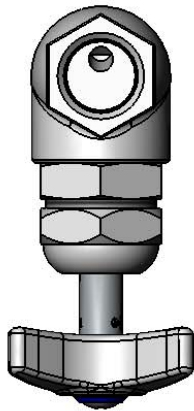
Contractor _____

Architect/Engineer _____

(2) 1/2" NPT Male x 3/8" NPT
 Female Bushings (Included)



ADA Compliant



1/2" NPT
 Female Inlet

3"
 [75mm]

1/2" NPT
 Female Outlet

Big-Flo Cartridge &
 4-Arm Handle w/
 Color Coded Index

Optional 3/8" NPT
 Female Inlet
 (When Bushing is
 Utilized)

3 1/2"
 [88mm]

3"
 [76mm]

Optional 3/8" NPT
 Female Outlet
 (When Bushing is
 Utilized)

Product Specifications:

1/2" NPT Inlet / Outlet Female Valve w/ Loose Bushings
 for Optional 3/8" NPT Female Connections, 4-Arm Handle
 & Big-Flo Cartridge

Product Compliance:

ASME A112.18.1 / CSA B125.1
 NSF 61 - Section 9
 NSF 372 (Low Lead Content)
 ANSI A117.1 (ADA)



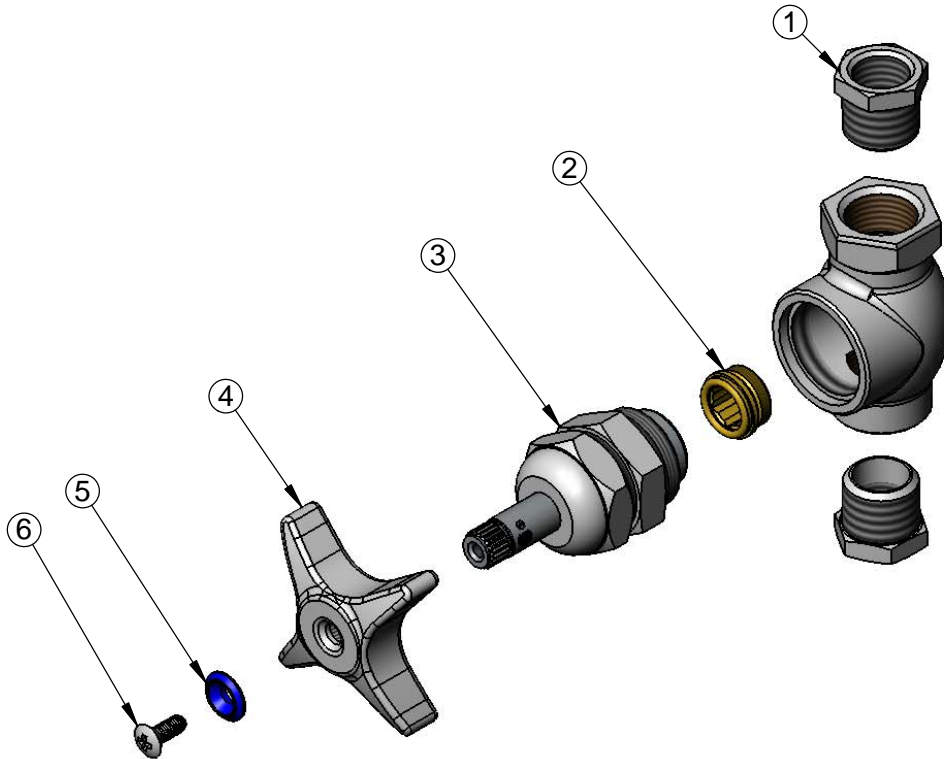
T&S BRASS AND BRONZE WORKS, INC.
2 Saddleback Cove / P.O. Box 1088
Travelers Rest, SC 29690

Model No.
0RK3

Item No.

Travelers Rest, SC: 800-476-4103 • Simi Valley, CA: 800-423-0150 • Fax: 864-834-3518 • www.tsbrass.com

ITEM NO.	SALES NO.	DESCRIPTION
1	001359-40	Hex Bushing, 1/2" NPT Male x 3/8" NPT Female
2	000764-20	Seat, Big-Flo
3	006482-40	Spindle, B-0290 (RH)
4	002521-45	4-Arm Handle
5	001660-45	Blue Index-CW
6	000922-45	Lever Handle Screw



Product Specifications:
1/2" NPT Inlet / Outlet Female Valve w/ Loose Bushings
for Optional 3/8" NPT Female Connections, 4-Arm Handle
& Big-Flo Cartridge

Product Compliance:
ASME A112.18.1 / CSA B125.1
NSF 61 - Section 9
NSF 372 (Low Lead Content)
ANSI A117.1 (ADA)