



T&S BRASS AND BRONZE WORKS, INC.
 2 Saddleback Cove / P.O. Box 1088
 Travelers Rest, SC 29690

Model No.
BL-4010-01

Item No.

Travelers Rest, SC: 800-476-4103 • Simi Valley, CA: 800-423-0150 • Fax: 864-834-3518 • www.tsbrass.com

This Space for Architect/Engineer Approval

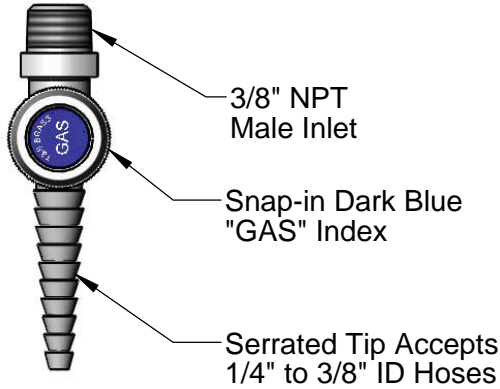
Job Name _____ Date _____

Model Specified _____ Quantity _____

Customer/Wholesaler _____

Contractor _____

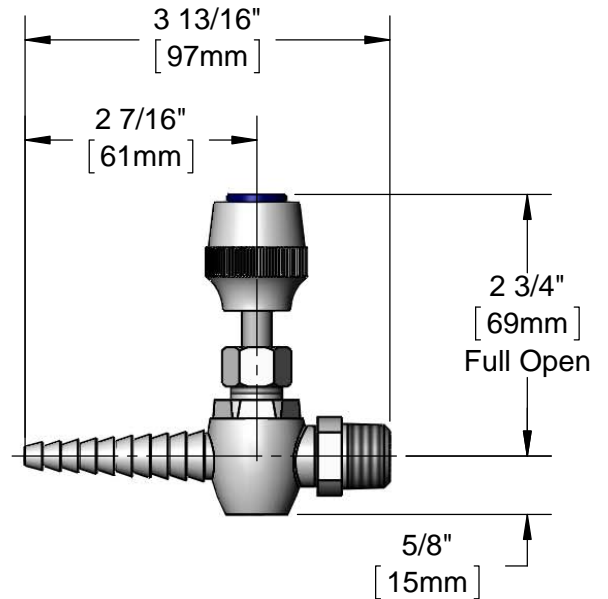
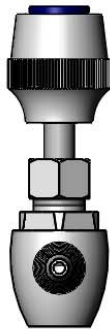
Architect/Engineer _____



209L-AIR
 Index
 (Included)



209L-VAC
 Index
 (Included)



Notes:

1. Special Packing in Valve Suitable for Oxygen, Hydrogen and Other Special Gases
2. Pressure:
 Fuel Gas - 0.5 psi max
 Other Gases Including Air - 80 psi max
 Vacuum - 30 inches of Mercury max
3. Temperature: 32 °F - 125 °F

Product Specifications:
 Needle Valve Hose Cock, w/ "GAS", "AIR", & "VAC" Color Coded Indexes,
 Serrated Tip & 3/8" NPT Male Inlet
 For Use w/ Gases Up to 80 PSIG, Oxygen, Hydrogen
 and Other Special Gases

Product Compliance:
 ANSI Z21.15a / CSA 9.1a (Gas Valves)



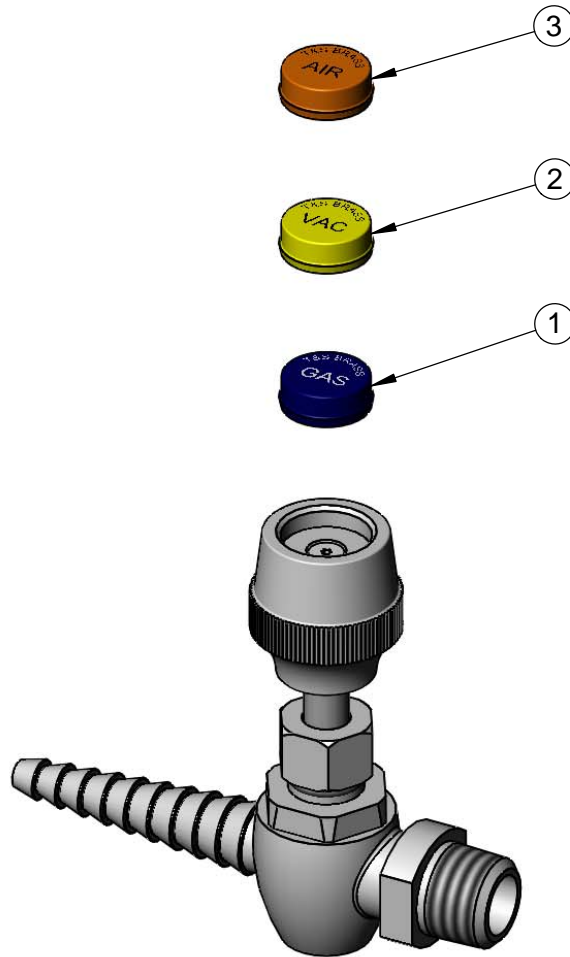
T&S BRASS AND BRONZE WORKS, INC.
 2 Saddleback Cove / P.O. Box 1088
 Travelers Rest, SC 29690

Model No.
BL-4010-01

Item No.

Travelers Rest, SC: 800-476-4103 • Simi Valley, CA: 800-423-0150 • Fax: 864-834-3518 • www.tsbrass.com

ITEM NO.	SALES NO.	DESCRIPTION
1	209L-GAS	Dark Blue GAS Snap-In Index
2	209L-VAC	Yellow VAC Snap-In Index
3	209L-AIR	Orange AIR Snap-In Index



Notes:

1. Item 1 Pre-Installed at Factory
2. Item 2 & Item 3 Included for Field Modifications

Product Specifications:
 Needle Valve Hose Cock, w/ "GAS", "AIR", & "VAC" Color Coded Indexes,
 Serrated Tip & 3/8" NPT Male Inlet
 For Use w/ Gases Up to 80 PSIG, Oxygen, Hydrogen
 and Other Special Gases

Product Compliance:
 ANSI Z21.15a / CSA 9.1a (Gas Valves)