



T&S BRASS AND BRONZE WORKS, INC.

2 Saddleback Cove / P.O. Box 1088
Travelers Rest, SC 29690

Model No.

B-3952-01

Item No.

Travelers Rest, SC: 800-476-4103 • Simi Valley, CA: 800-423-0150 • Fax: 864-834-3518 • www.tsbrass.com

This Space for Architect/Engineer Approval

Job Name _____ Date _____

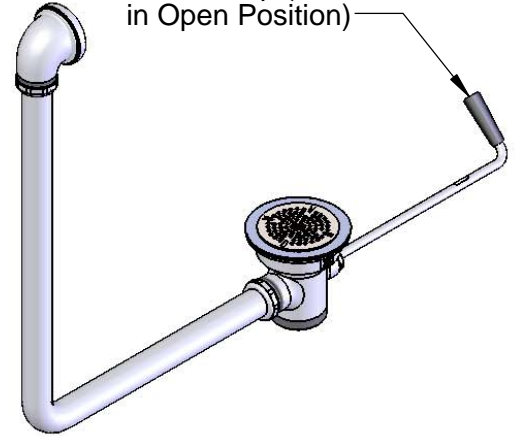
Model Specified _____ Quantity _____

Customer/Wholesaler _____

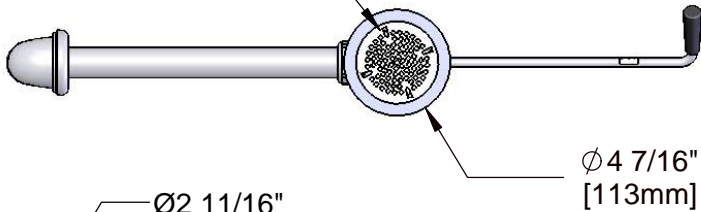
Contractor _____

Architect/Engineer _____

Twist Handle w/
Heat Resistant
Plastic Grip (Shown
in Open Position)



Removable
Snap-in Strainer



Ø 4 7/16"
[113mm]

Ø 2 11/16"
[68mm]

Ø 1 1/4" [32mm] O.D.
Overflow Tube

19 1/2"
[495mm]

12 1/4" ± 1/4"
[312mm]

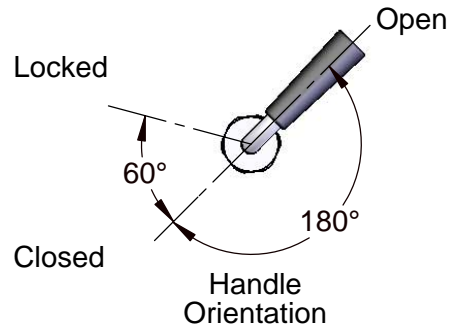
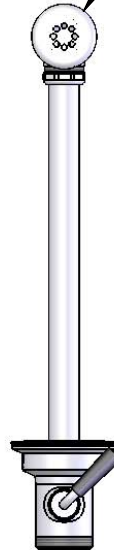
4 1/2"
[114mm]

2 5/8"
[67mm]

15 3/8"
[391mm]

2" NPT Male Thread,
1-1/2" NPT Female Thread

Ø 2" [51mm]
Opening Required



Product Specifications:

Rotary Waste Drain Valve w/ Twist Handle, 3 1/2" Sink Opening, 2" Male NPT / 1-1/2" Female NPT Outlet & Overflow Tube & Head

Product Compliance:

ASME A112.18.2 / CSA B125.2



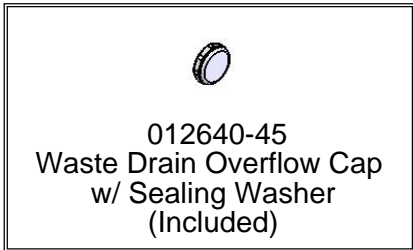
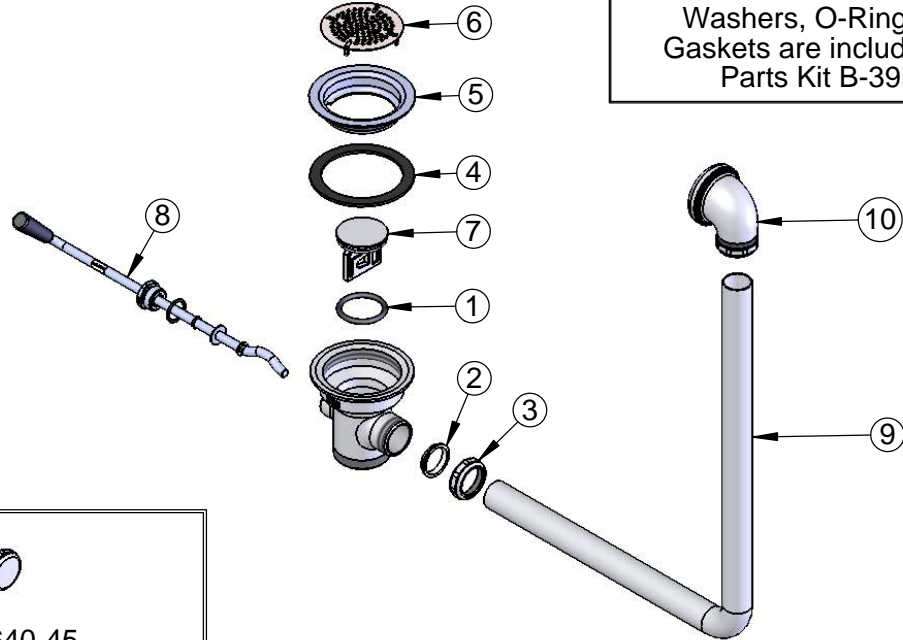
T&S BRASS AND BRONZE WORKS, INC.
 2 Saddleback Cove / P.O. Box 1088
 Travelers Rest, SC 29690

Model No.
B-3952-01

Item No.

Travelers Rest, SC: 800-476-4103 • Simi Valley, CA: 800-423-0150 • Fax: 864-834-3518 • www.tsbrass.com

ITEM NO.	SALES NO.	DESCRIPTION
1	010389-45	O-Ring, Plunger
2	010390-45	Ferrule, Coupling Nut
3	010391-45	Nut, Coupling for Twist Drain
4	010382-45	Gasket, 3 1/2" Face Flange
5	010384-45	Flange, 3 1/2" Face
6	010386-45	Strainer, 3 1/2" Snap-in Removable
7	010388-45	Plunger, Lever and Twist Drain
8	010393-45	Handle, Rotary Waste Valve Twist
9	011355-45	Tube, Overflow Elbow
10	011356-45	Head, Overflow Tube



Product Specifications:
 Rotary Waste Drain Valve w/ Twist Handle, 3 1/2" Sink Opening, 2" Male NPT / 1-1/2" Female NPT Outlet & Overflow Tube & Head

Product Compliance:
 ASME A112.18.2 / CSA B125.2