



**T&S BRASS AND BRONZE WORKS, INC.**  
 2 Saddleback Cove / P.O. Box 1088  
 Travelers Rest, SC 29690

Model No.  
**EW-7612LH**

Item No.

Travelers Rest, SC: 800-476-4103 • Simi Valley, CA: 800-423-0150 • Fax: 864-834-3518 • www.tsbrass.com

This Space for Architect/Engineer Approval

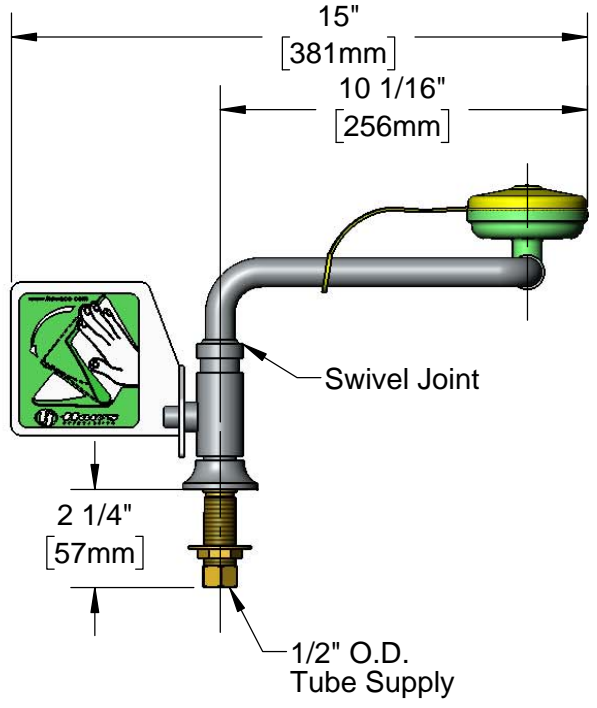
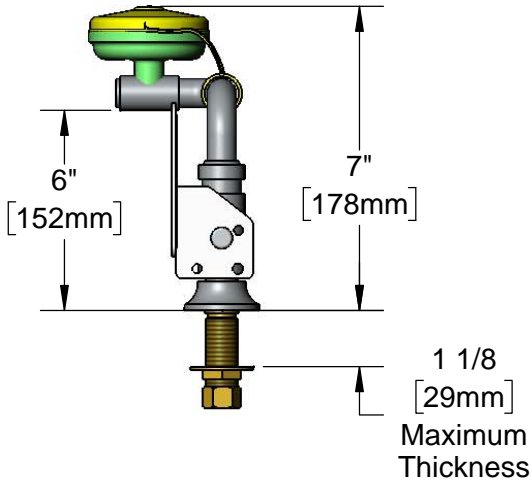
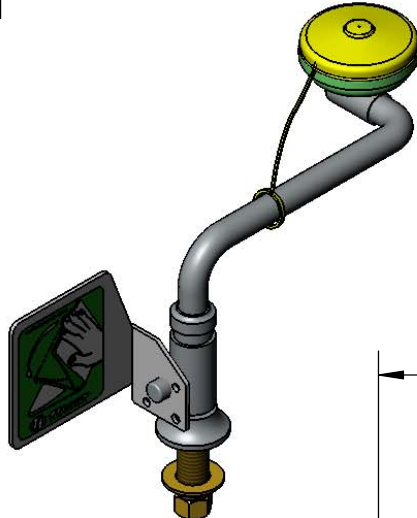
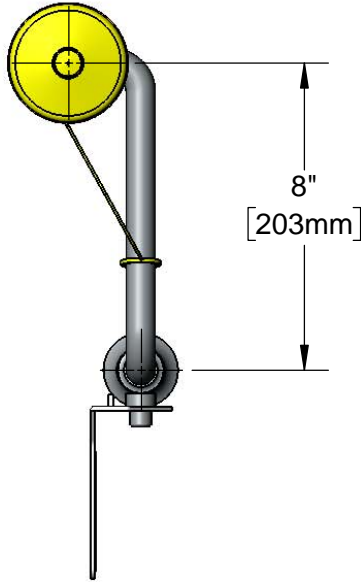
Job Name \_\_\_\_\_ Date \_\_\_\_\_

Model Specified \_\_\_\_\_ Quantity \_\_\_\_\_

Customer/Wholesaler \_\_\_\_\_

Contractor \_\_\_\_\_

Architect/Engineer \_\_\_\_\_



- Note:
- ANSI Standard Z358.1 Specifies Eyewash Nozzles to be 33" [838mm] to 45" [1143mm] Above the Floor
  - These Dimensions are for Reference

Product Specifications:  
 Countertop Mounted Chrome Plated Polished Brass Eye/Face Wash with Swing Away Feature to Activate, Left Side Mount, Dust Cover, 1/2" O.D. Slip Joint

Product Compliance:  
 ANSI Z358.1 (Latest Revision)  
 NSF 61 Exempt (Non-Potable)