



T&S BRASS AND BRONZE WORKS, INC.

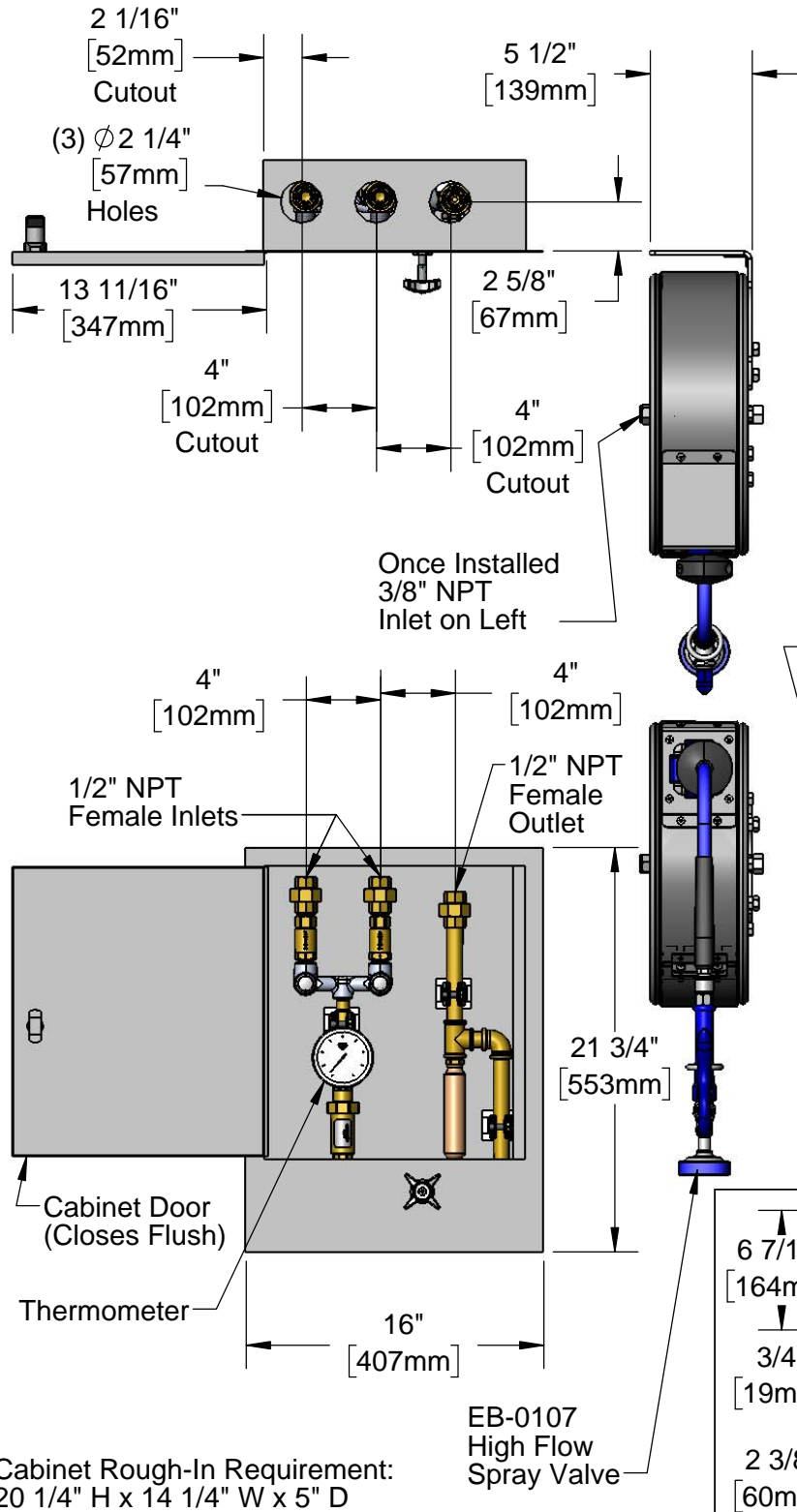
2 Saddleback Cove / P.O. Box 1088
Travelers Rest, SC 29690

Model No.

B-2339

Item No.

Travelers Rest, SC: 800-476-4103 • Simi Valley, CA: 800-423-0150 • Fax: 864-834-3518 • www.tsbrass.com



This Space for Architect/Engineer Approval

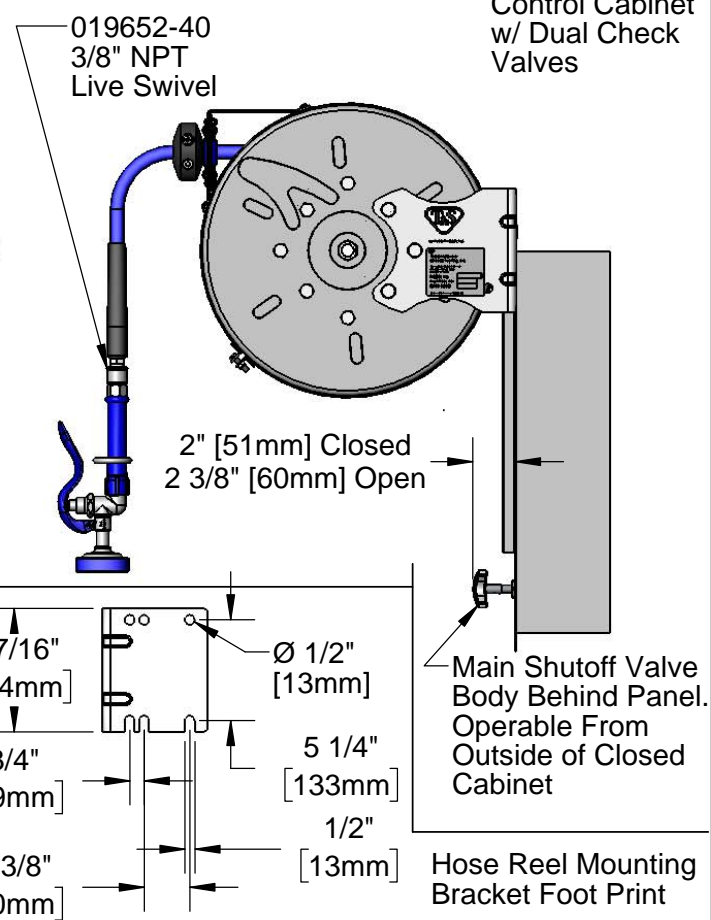
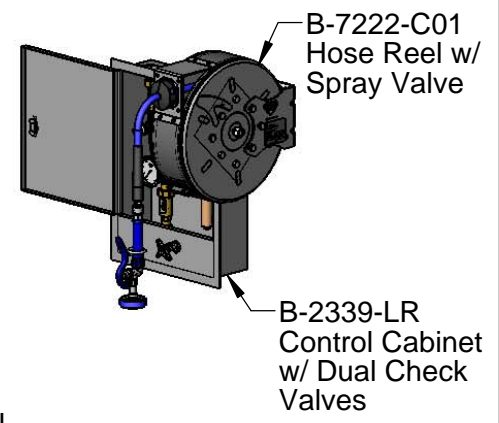
Job Name _____ Date _____

Model Specified _____ Quantity _____

Customer/Wholesaler _____

Contractor _____

Architect/Engineer _____



Cabinet Rough-In Requirement:
20 1/4" H x 14 1/4" W x 5" D

Product Specifications:
Enclosed Hose Reel w/ 30' Hose, High Flow Spray Valve w/ Swivel, Rinse Control Cabinet w/ Control Valve, Dual Check Valves, Thermometer & Water Hammer Arrestor

Product Compliance:
ASME A112.18.1 / CSA B125.1
ASSE 1024 (VB)
NSF 61 Exempt (Non-Potable)
EPA 2005 Non-Compliant (PRSV)



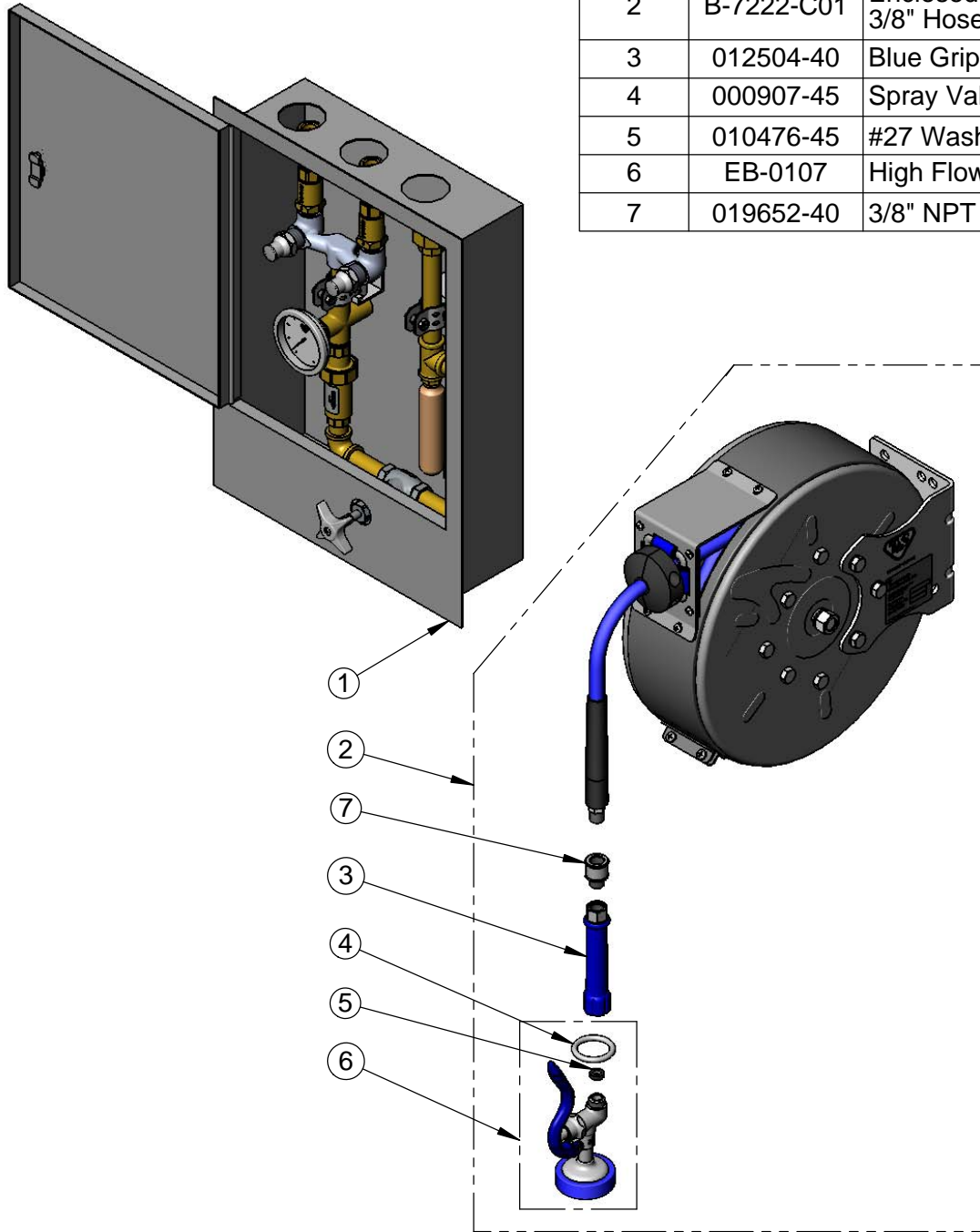
T&S BRASS AND BRONZE WORKS, INC.
 2 Saddleback Cove / P.O. Box 1088
 Travelers Rest, SC 29690

Model No.
B-2339

Item No.

Travelers Rest, SC: 800-476-4103 • Simi Valley, CA: 800-423-0150 • Fax: 864-834-3518 • www.tsbrass.com

ITEM NO.	SALES NO.	DESCRIPTION
1	B-2339-LR	Reel Control Cabinet w/ Control Valve, Dual Check Valves & Thermometer
2	B-7222-C01	Enclosed Stainless Steel Reel w/ 30' of 3/8" Hose & Blue Spray Valve
3	012504-40	Blue Grip Handle
4	000907-45	Spray Valve Hold Down Ring
5	010476-45	#27 Washer
6	EB-0107	High Flow Spray Valve
7	019652-40	3/8" NPT Live Swivel



Product Specifications:
 Enclosed Hose Reel w/ 30' Hose, High Flow Spray Valve w/ Swivel,
 Rinse Control Cabinet w/ Control Valve, Dual Check Valves,
 Thermometer & Water Hammer Arrestor

Product Compliance:
 ASME A112.18.1 / CSA B125.1
 ASSE 1024 (VB)
 NSF 61 Exempt (Non-Potable)
 EPA Act 2005 Non-Compliant (PRSV)