



T&S BRASS AND BRONZE WORKS, INC.
 2 Saddleback Cove / P.O. Box 1088
 Travelers Rest, SC 29690

Model No.
B-0316

Item No.

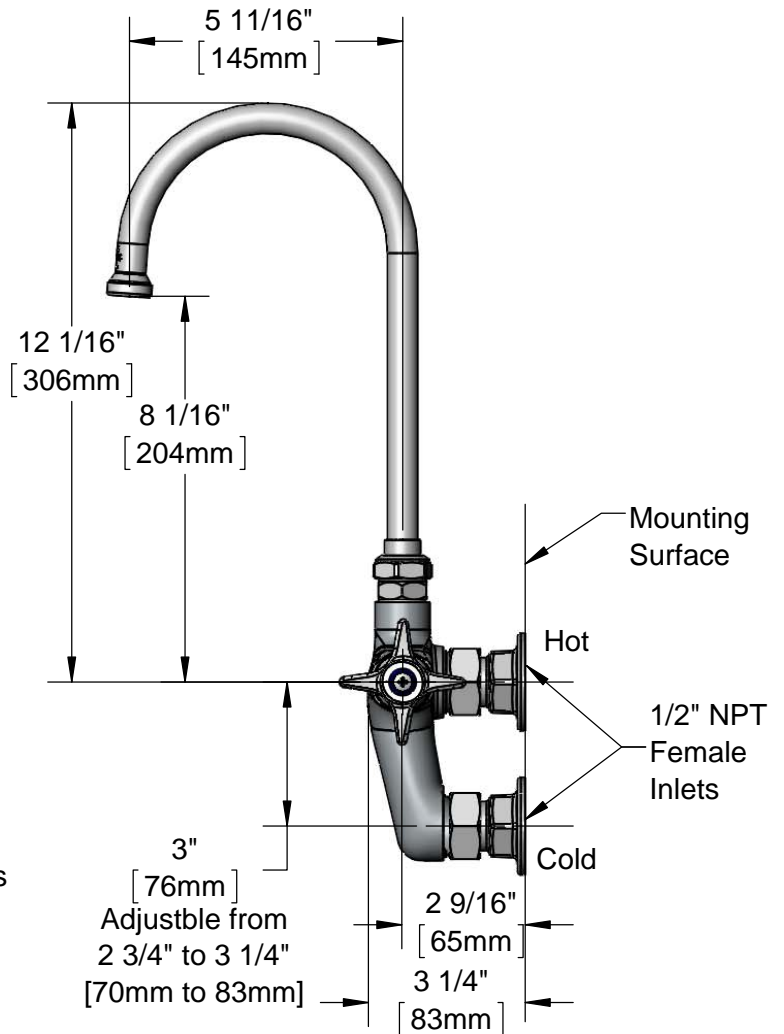
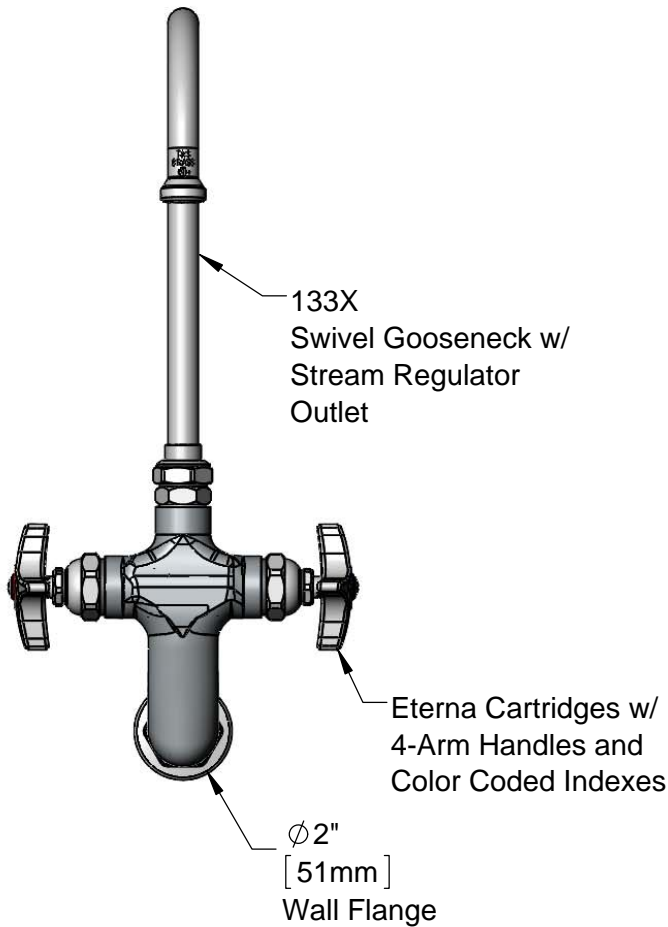
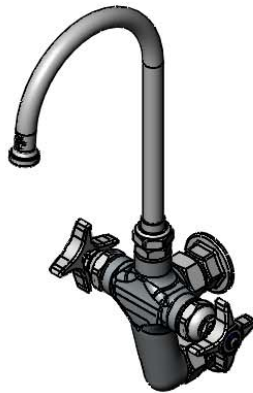
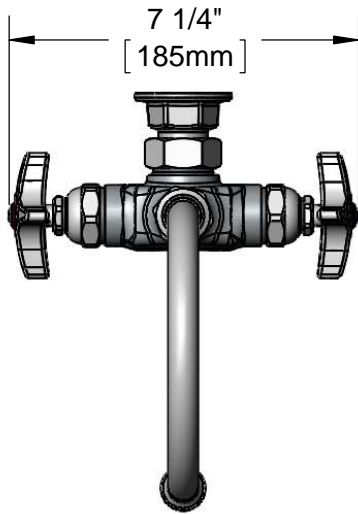
Travelers Rest, SC: 800-476-4103 • Simi Valley, CA: 800-423-0150 • Fax: 864-834-3518 • www.tsbrass.com

This Space for Architect/Engineer Approval

Job Name _____ Date _____
 Model Specified _____ Quantity _____
 Customer/Wholesaler _____
 Contractor _____
 Architect/Engineer _____



ADA Compliant



Product Specifications:
 Wall Mount Vertical Mixing Faucet, 5 11/16" Swivel Gooseneck w/
 Stream Regulator Outlet, 4-Arm Handles and 1/2" NPT Female Inlets

Product Compliance:
 ASME A112.18.1 / CSA B125.1
 NSF 61 - Section 9
 NSF 372 (Low Lead Content)
 ANSI A117.1 (ADA)



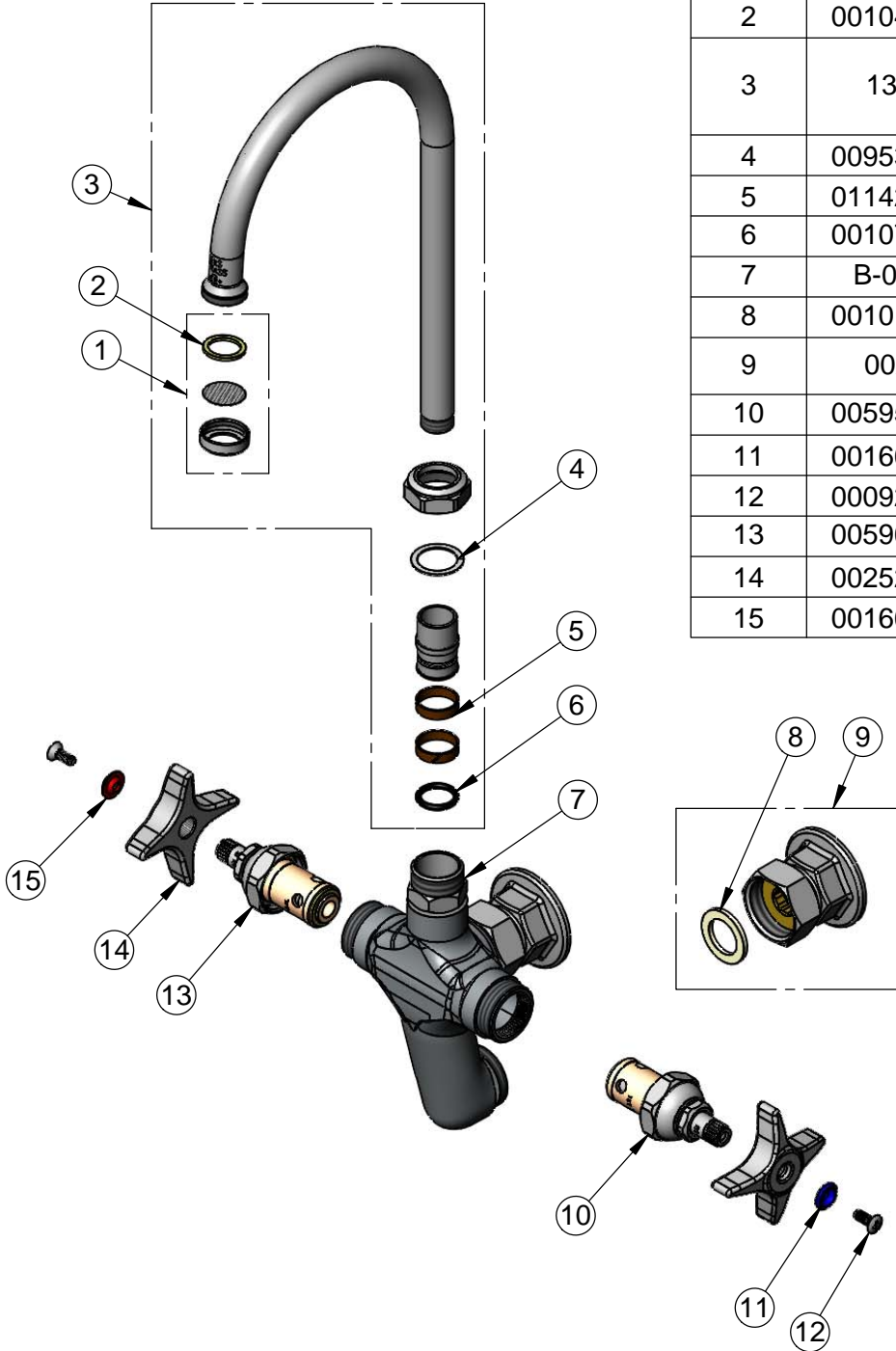
T&S BRASS AND BRONZE WORKS, INC.
 2 Saddleback Cove / P.O. Box 1088
 Travelers Rest, SC 29690

Model No.
B-0316

Item No.

Travelers Rest, SC: 800-476-4103 • Simi Valley, CA: 800-423-0150 • Fax: 864-834-3518 • www.tsbrass.com

ITEM NO.	SALES NO.	DESCRIPTION
1	B-PT	Stream Regulator Outlet
2	001048-45	Nozzle Tip Washer
3	133X	6" Swivel Gooseneck w/ Stream Regulator Outlet
4	009538-45	Swivel Washer
5	011429-45	Swivel Sleeves (2)
6	001074-45	O-Ring
7	B-0412	Rigid to Swivel Adapter
8	001019-45	Coupling Nut Washer
9	00AA	1/2" NPT Female Eccentric Flange
10	005959-40	Eterna Cartridge, LTC
11	001660-45	Blue Index-CW
12	000922-45	Lever Handle Screw
13	005960-40	Eterna Cartridge, RTC
14	002521-45	4-Arm Handle
15	001661-45	Red Index-HW



Product Specifications:
 Wall Mount Vertical Mixing Faucet, 5 11/16" Swivel Gooseneck w/
 Stream Regulator Outlet, 4-Arm Handles and 1/2" NPT Female Inlets

Product Compliance:
 ASME A112.18.1 / CSA B125.1
 NSF 61 - Section 9
 NSF 372 (Low Lead Content)
 ANSI A117.1 (ADA)