

T&S BRASS AND BRONZE WORKS, INC.

2 Saddleback Cove / P.O. Box 1088
Travelers Rest, SC 29690

Model No.

B-2866-QT-21VR

Item No.

Travelers Rest, SC: 800-476-4103 • Simi Valley, CA: 800-423-0150 • Fax: 864-834-3518 • www.tsbrass.com

This Space for Architect/Engineer Approval

Job Name _____ Date _____

Model Specified _____ Quantity _____

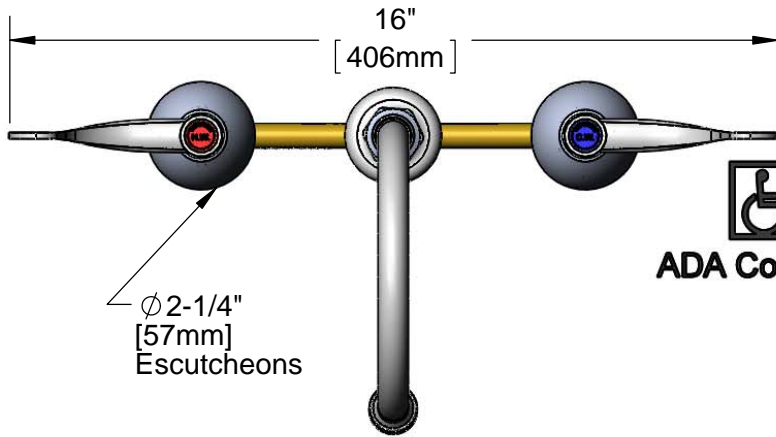
Customer/Wholesaler _____

Contractor _____

Architect/Engineer _____

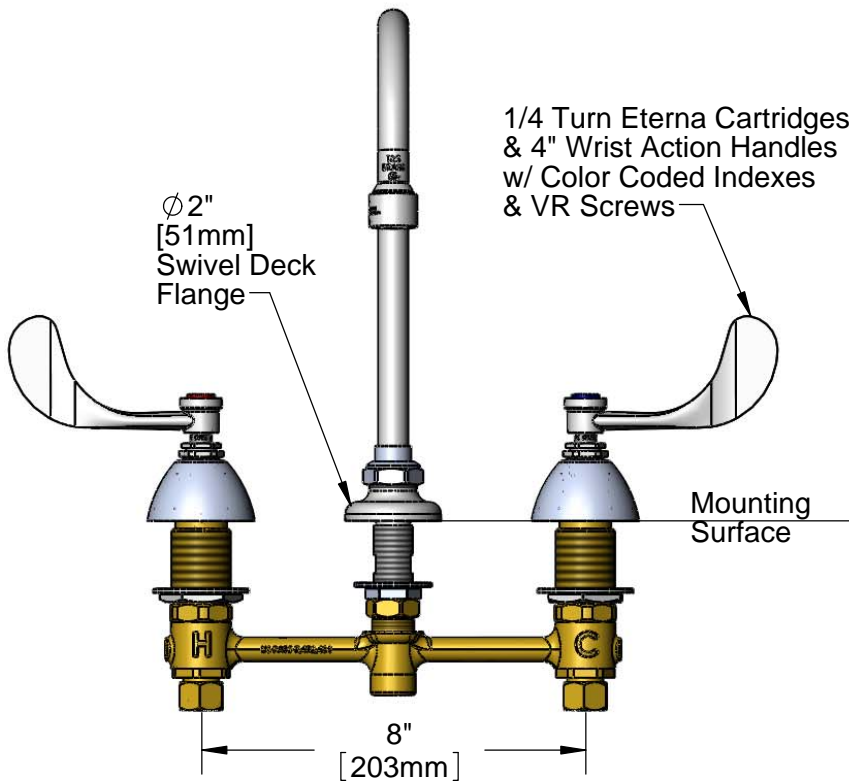


ADA Compliant



Ø 2-1/4"
[57mm]
Escutcheons

Swivel Gooseneck
w/ B-0199-21 VRF
2.2 GPM VR Laminar Device
(Optional Swivel/Rigid Washer
Included)

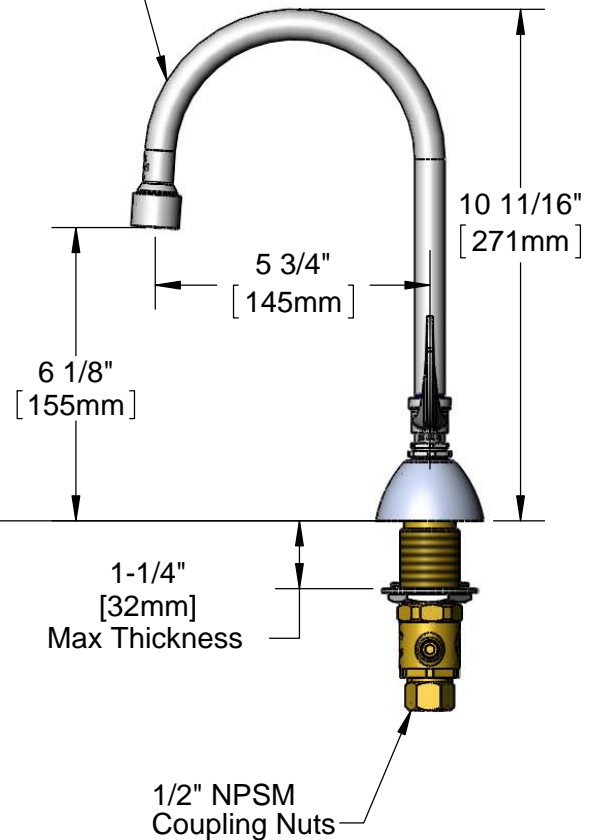


Ø 2"
[51mm]
Swivel Deck
Flange

1/4 Turn Eterna Cartridges
& 4" Wrist Action Handles
w/ Color Coded Indexes
& VR Screws

Mounting
Surface

8"
[203mm]



6 1/8"
[155mm]

5 3/4"
[145mm]

10 11/16"
[271mm]

1-1/4"
[32mm]
Max Thickness

1/2" NPSM
Coupling Nuts

Rough-In Requirement:

Ø 1" [25mm] for Center Shank

Ø 1-1/2" [38mm] for Hot/Cold Side

Product Specifications:

EasyInstall Faucet w/ 4" Wrist Action Handles w/ VR Screws,
1/4 Turn Eterna Cartridges, 8" Inlet Centers & Swivel
Gooseneck w/ 2.2 GPM VR Laminar Flow Device

Drawn

JRM

Checked

DMH

Approved

JHB

Scale:

1:4

Date:

06/21/12



T&S BRASS AND BRONZE WORKS, INC.

2 Saddleback Cove / P.O. Box 1088
Travelers Rest, SC 29690

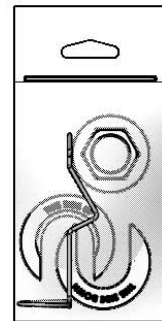
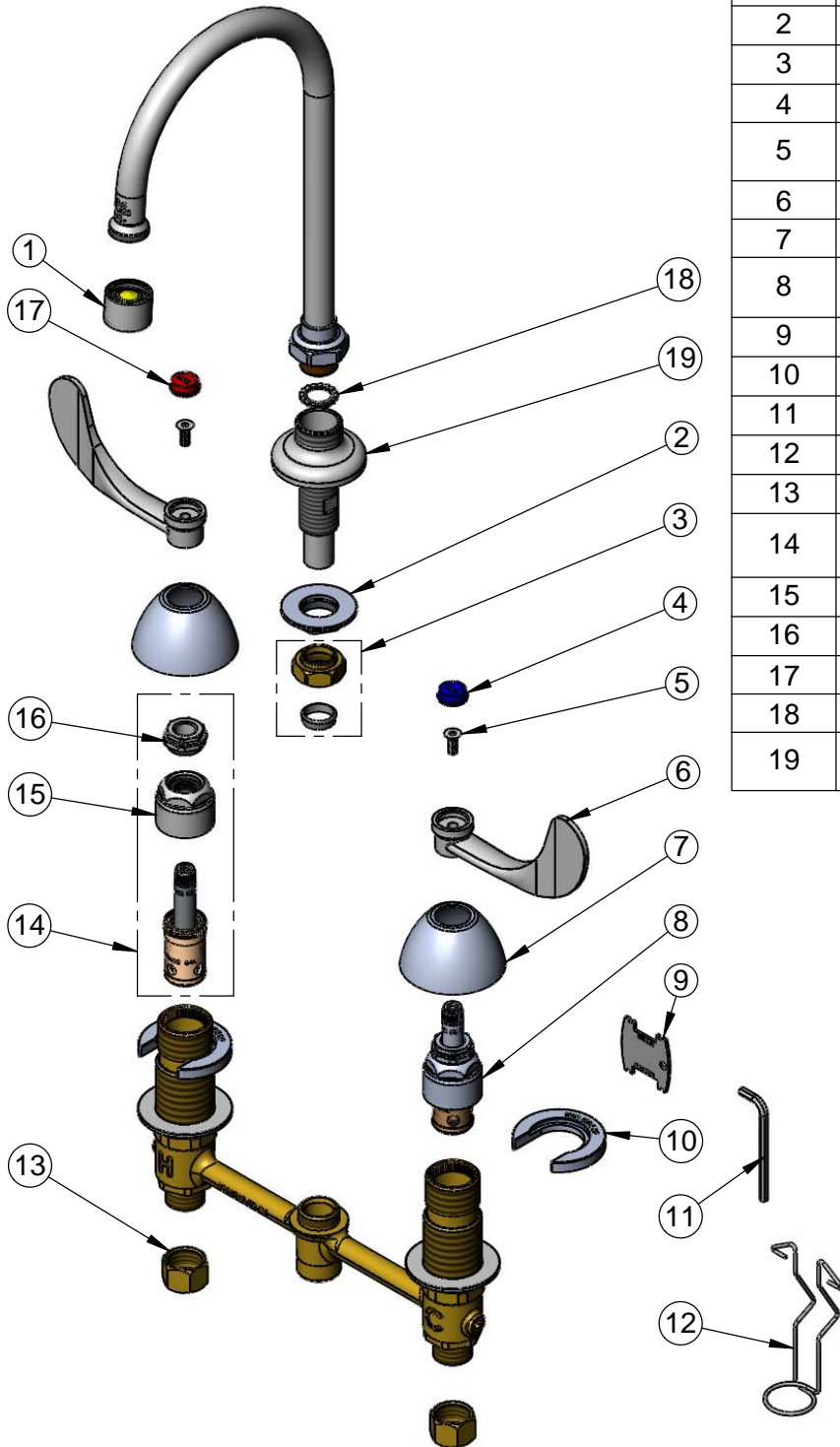
Model No.

B-2866-QT-21VR

Item No.

Travelers Rest, SC: 800-476-4103 • Simi Valley, CA: 800-423-0150 • Fax: 864-834-3518 • www.tsbrass.com

ITEM NO.	SALES NO.	DESCRIPTION
1	B-0199-21-VRF	VR Laminar Flow Device
2	016742-45	Center Flange Nut
3	016745-45	Compression Nut & Fitting
4	001686-45	Blue CW Index
5	B-VRS	Pin-In-Socket Screw w/ Hex Key
6	B-WH4	4" Wrist Action Handle
7	001257-40	Bell Escutcheon
8	016925-40	EasyInstall 1/4 Turn LTC Eterna (Teflon)
9	015425-45	Vandal Resistant Key
10	016749-45	Sidebody C-Washer
11	010587-45	Pin-in-Socket Hex Key
12	016777-45	CWS Hanger
13	000958-20	Coupling Nut
14	016926-40	EasyInstall 1/4 Turn RTC Eterna (Teflon)
15	016743-25	CWS Bonnet Assembly
16	009002-25	Packing Nut Assembly
17	001194-45	Red HW Index
18	014200-45	Star Washer, Anti-Rotation
19	016754-40	EasyInstall CWS Swivel Center Shank



017245-40
Installation Repair Kit
Includes #2, (2)#10, & #12

Product Specifications:

EasyInstall Faucet w/ 4" Wrist Action Handles w/ VR Screws,
1/4 Turn Eterna Cartridges, 8" Inlet Centers & Swivel
Gooseneck w/ 2.2 GPM VR Laminar Flow Device

Drawn JRM	Checked DMH	Approved JHB
Scale: NTS		Date: 06/21/12