

# T&S BRASS AND BRONZE WORKS, INC.

2 Saddleback Cove / P.O. Box 1088  
Travelers Rest, SC 29690

Model No.

**B-0892-WA**

Item No.

Travelers Rest, SC: 800-476-4103 • Simi Valley, CA: 800-423-0150 • Fax: 864-834-3518 • www.tsbrass.com



**ADA Compliant**

This Space for Architect/Engineer Approval

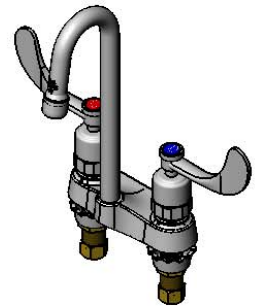
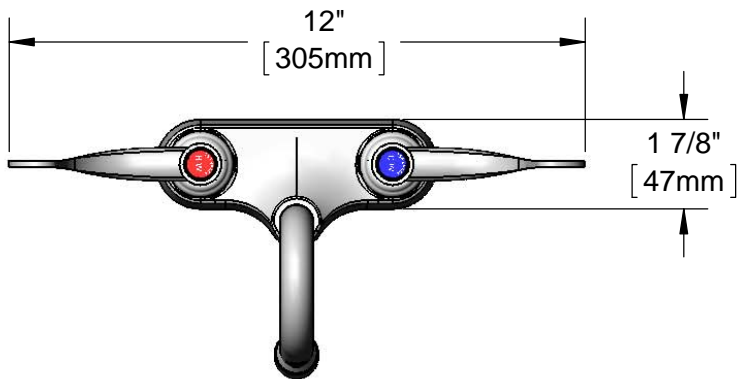
Job Name \_\_\_\_\_ Date \_\_\_\_\_

Model Specified \_\_\_\_\_ Quantity \_\_\_\_\_

Customer/Wholesaler \_\_\_\_\_

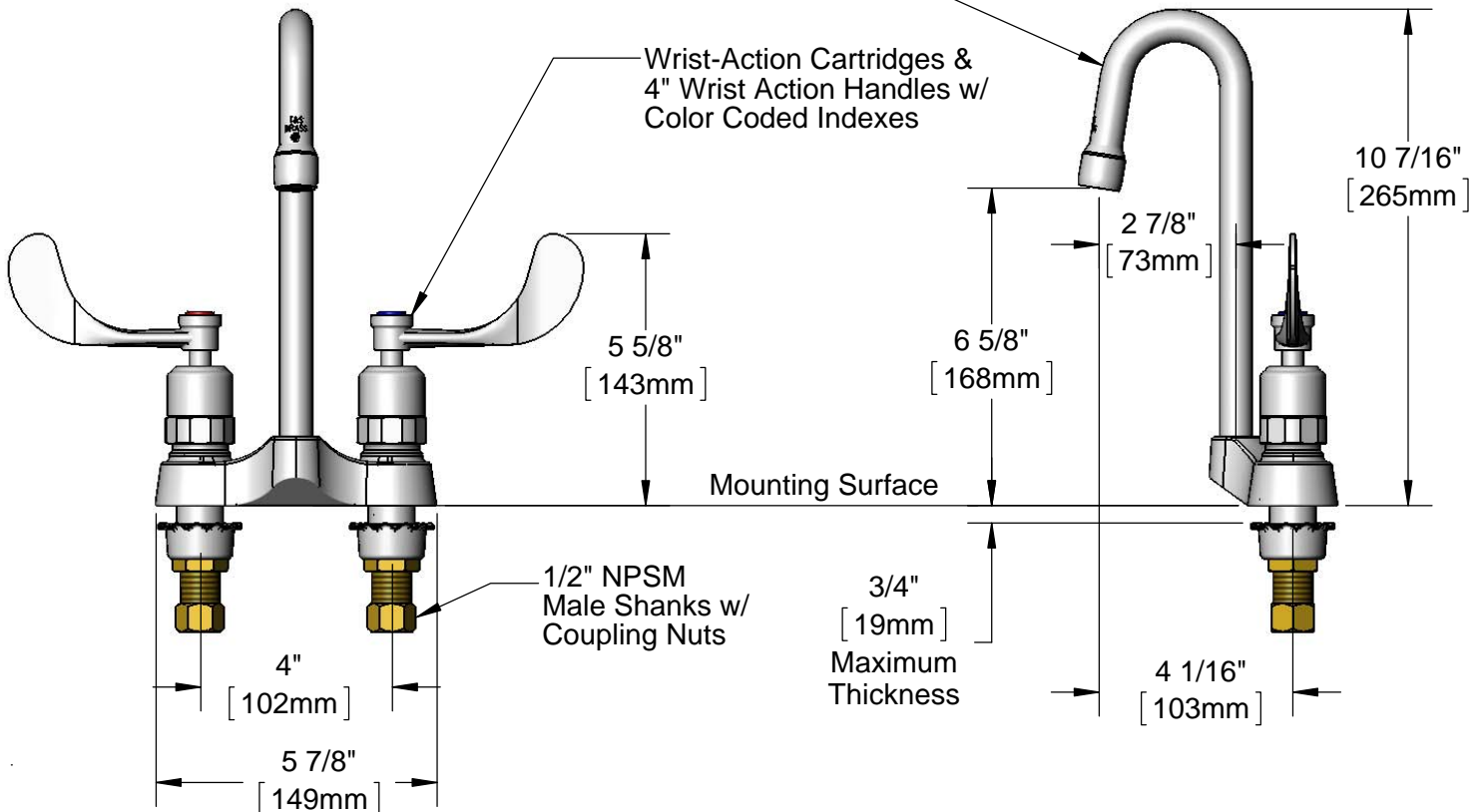
Contractor \_\_\_\_\_

Architect/Engineer \_\_\_\_\_



Rigid Gooseneck w/  
2.2 GPM Aerator

Wrist-Action Cartridges &  
4" Wrist Action Handles w/  
Color Coded Indexes



**Rough-In Requirement:**  
(2)  $\phi$  1 1/8" [29mm] Mounting Holes

**Product Specifications:**  
4" Centerset Mixing Faucet w/ 1/2" NPSM Male Shanks,  
Wrist-Action Cartridges, 4" Wrist Action Handles,  
Rigid Gooseneck w/ 2.2 GPM Aerator

Drawn

**KJG**

Checked

**JRM**

Approved

**JHB**

Scale:

**1:4**

Date:

**09/20/12**

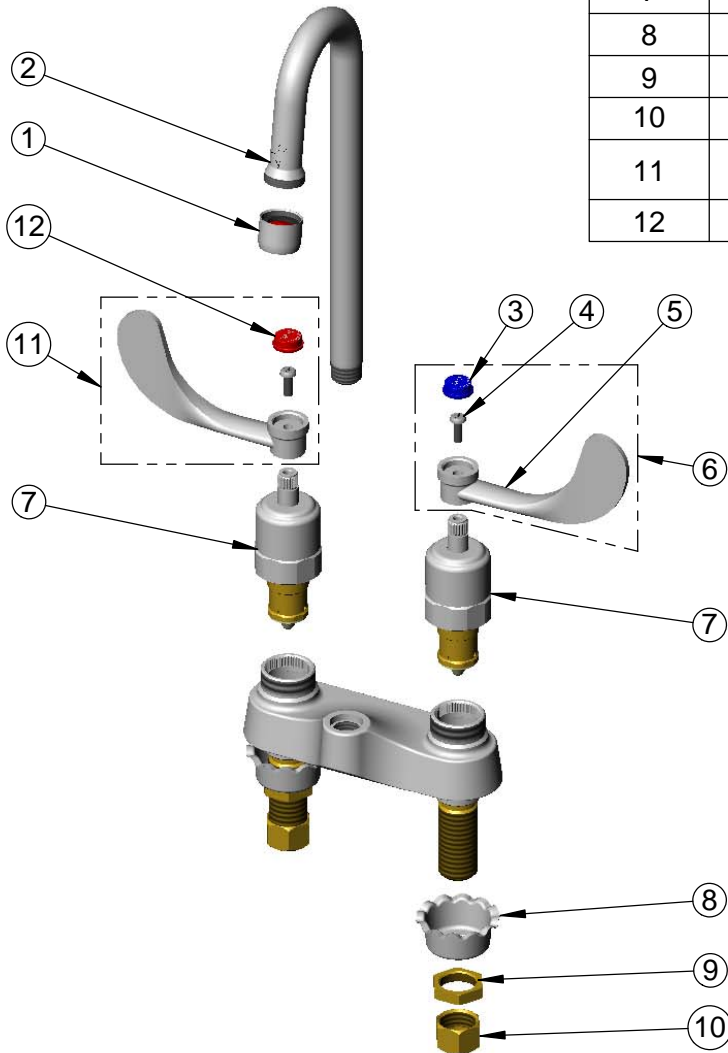


**T&S BRASS AND BRONZE WORKS, INC.**  
 2 Saddleback Cove / P.O. Box 1088  
 Travelers Rest, SC 29690

Model No.  
**B-0892-WA**  
 Item No.

Travelers Rest, SC: 800-476-4103 • Simi Valley, CA: 800-423-0150 • Fax: 864-834-3518 • www.tsbrass.com

ITEM NO.	SALES NO.	DESCRIPTION
1	B-0199-01	2.2 GPM Aerator, 55/64"-27UN Female
2	005028-40	Gooseneck
3	001686-45	Blue CW Index
4	000925-45	Lab Handle Screw
5	B-WH4	4" Wrist Action Handle
6	B-WH4C	4" Wrist Action Handle, Screw & Cold Index
7	012449-40	Wrist-Action Metering Cartridge
8	001000-45	Rosette Washer
9	002954-45	Shank Lock Nut
10	000958-20	Coupling Nut
11	B-WH4H	4" Wrist Action Handle, Screw & Hot Index
12	001194-45	Red HW Index



Product Specifications:  
 4" Centerset Mixing Faucet w/ 1/2" NPSM Male Shanks,  
 Wrist-Action Cartridges, 4" Wrist Action Handles,  
 Rigid Gooseneck w/ 2.2 GPM Aerator

Drawn <b>KJG</b>	Checked <b>JRM</b>	Approved <b>JHB</b>
Scale: <b>NTS</b>		Date: <b>09/20/12</b>