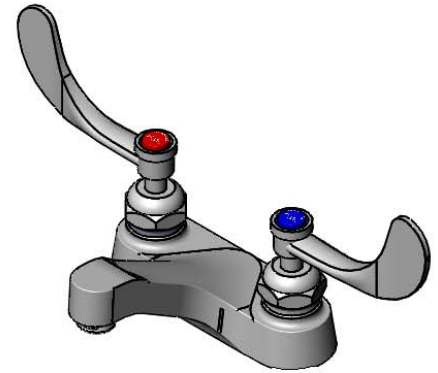
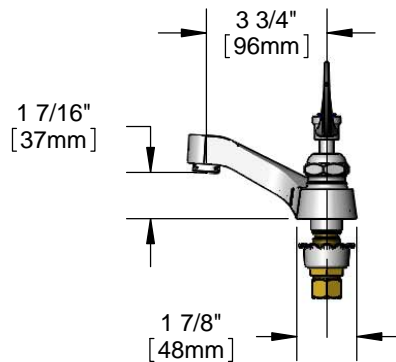
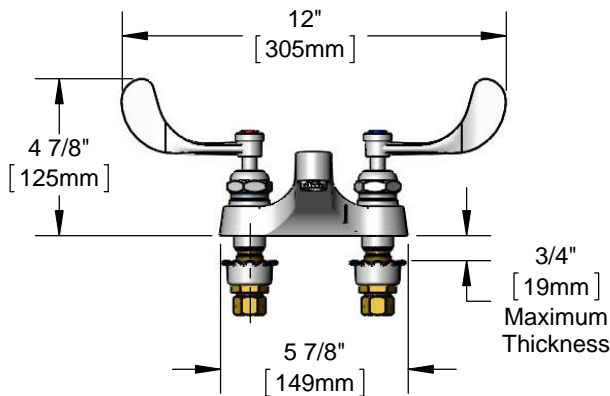




Architect/Engineering Specifications:

4" centerset deck mount mixing faucet with polished chrome plated brass body and integral spout, 1.5 GPM aerator, ceramic cartridges, 4" wrist action handles and 1/2" NPSM male inlets. Certified to ASME A112.18.1/CSA B125.1, NSF 61-Section 9, NSF 372 and EPA WaterSense. Meets ADA ANSI/ICC A117.1 requirements.

Job Name _____
 Model Specified _____ Quantity _____
 Variations Specified _____
 Date _____



Features & Benefits:

- 4" centerset deck mount mixing faucet w/ polished chrome plated brass body and integral spout
- 1.5 GPM aerator, Series 3 (B-0199-03-WS)
- Quarter-turn Cerama cartridges
- 4" wrist action handles w/ color coded indexes
- 1/2" NPSM male inlets w/ coupling nuts
- Material: Polished chrome plated brass body & spout and chrome plated metal handles

Product Compliance:

- ASME A112.18.1 / CSA B125.1
- NSF 61 - Section 9
- NSF 372 (Low Lead Content)
- EPA WaterSense
- ANSI A117.1 (ADA)



Warranty: One Year (Limited)

- Cerama Cartridge: Lifetime (Limited)



Performance Data:

- Pressure: 20 - 125 psi
- Temperature: 40°F - 180°F
- Flow Rate: 1.5 GPM @ 60 psi



ADA Compliant

Optional Outlets (Series 3 / VR Series 8)

GPM	Aerated	Non-Aerated (Laminar)	VR Aerated	VR Non-Aerated (VR Laminar)
0.35	N/A	<input type="checkbox"/> B-0199-03-N035	N/A	<input type="checkbox"/> B-0199-08-N035
0.5	N/A	<input type="checkbox"/> B-0199-03-N05	N/A	<input type="checkbox"/> B-0199-08-N05
1.0	N/A	N/A	N/A	<input type="checkbox"/> B-0199-08-LF10
1.2	<input type="checkbox"/> B-0199-03-F12	N/A	<input type="checkbox"/> B-0199-08-F12	N/A
1.5	Standard	N/A	<input type="checkbox"/> B-0199-08-WS	<input type="checkbox"/> B-0199-08-LF15
2.2	<input type="checkbox"/> B-0199-03	<input type="checkbox"/> B-0199-26	<input type="checkbox"/> B-0199-08	<input type="checkbox"/> B-0199-28

Optional Handles

- 4" Wrist Action (Standard)
- Lever
- 4-Arm

Optional Cartridges

- Quarter-Turn Cerama (Standard)
- Eterna
- Quarter-Turn Eterna
- Push Button Metering
- Pivot Action Metering
- Wrist Action Metering

