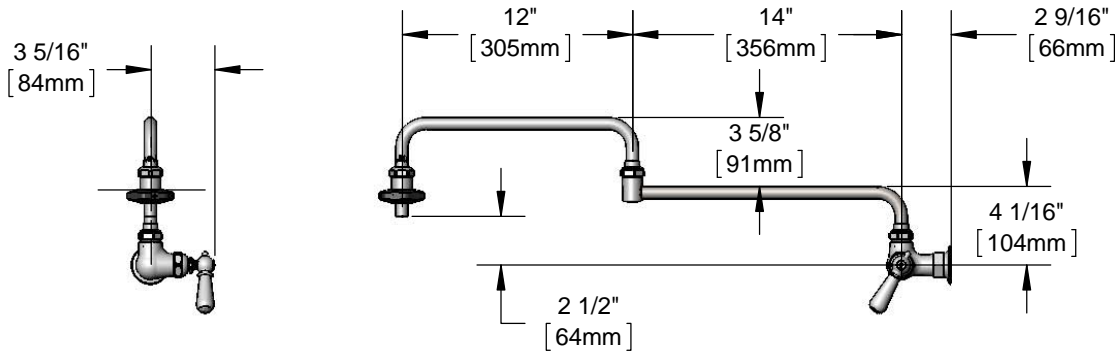
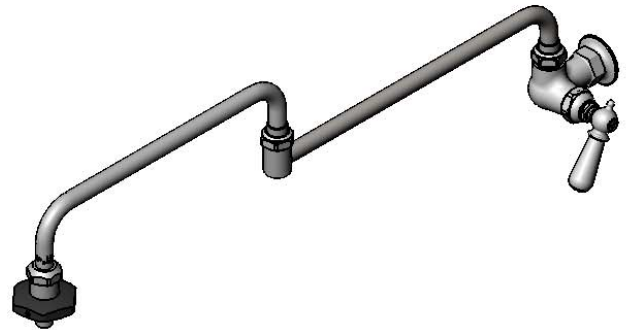




Architect/Engineering Specifications:

Wall mount pot filler faucet with polished chrome plated brass body, 26" double joint swing nozzle, on-off volume control outlet with insulated grip, compression cartridge, decorative club handle and 1/2" NPSM female inlet. Certified to ASME A112.18.1/CSA B125.1, NSF 61-Section 9 and NSF 372.

Job Name _____
Model Specified _____ Quantity _____
Variations Specified _____
Date _____



Features & Benefits:

- Wall mount pot filler faucet
- 26" double joint swing nozzle
- On-off volume control outlet with insulated grip
- Eterna compression cartridge
- Decorative club handle with blue index
- 1/2" NPSM female inlet
- Material: Polished chrome plated brass body & tubular nozzle and heat resistant thermoplastic handle

Product Compliance:

- ASME A112.18.1 / CSA B125.1
- NSF 61 - Section 9
- NSF 372 (Low Lead Content)



Warranty: One Year (Limited)

Performance Data:

- Pressure: 20 - 125 psi
- Temperature: 40°F - 140°F
- Flow Rate: 5.04 GPM @ 60 psi

Optional Handles

- 4" Wrist Action
- Lever
- 4-Arm

Optional Cartridges

- Quarter-Turn Cerama
- Eterna (Standard)
- Quarter-Turn Eterna

