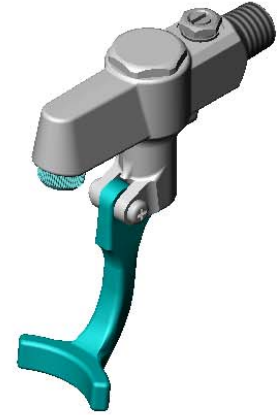
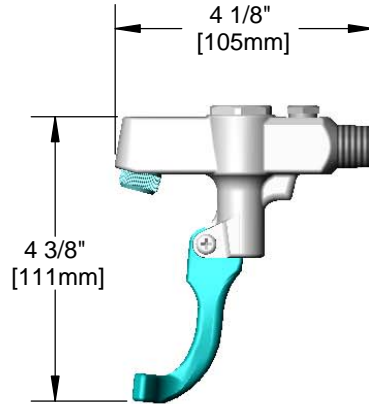
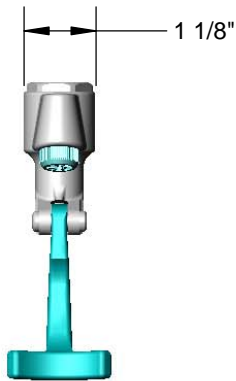


Architect/Engineering Specifications:

Wall mount glass filler with polished chrome plated brass body, adjustable flow outlet, push back arm and 3/8" NPT male inlet. Certified to ASME A112.18.1\CSA B125.1, NSF 61-Section 9 and NSF 372. Meets ADA ANSINCC A117.1 requirements.

Job Name _____
 Model Specified _____ Quantity _____
 Variations Specified _____
 Date _____



Features & Benefits:

- Wall mount glass filler
- Adjustable screw flow
- Instantaneous shut-off
- 3/8" NPT male inlet
- Material: Polished chrome plated brass body & pedestal, chrome plated metal flange and thermoplastic arm

Product Compliance:

- ASME A112.18.1 / CSA B125.1
- NSF 61 - Section 9
- NSF 372 (Low Lead Content)
- ANSI A117.1 (ADA)

Warranty: One Year (Limited)

Performance Data:

- Pressure: 20 - 125 psi
- Temperature: 40 °F - 140 °F
- Flow Rate: 0.25 GPM min @ 60 psi
2.50 GPM max @ 60 psi



ADA Compliant