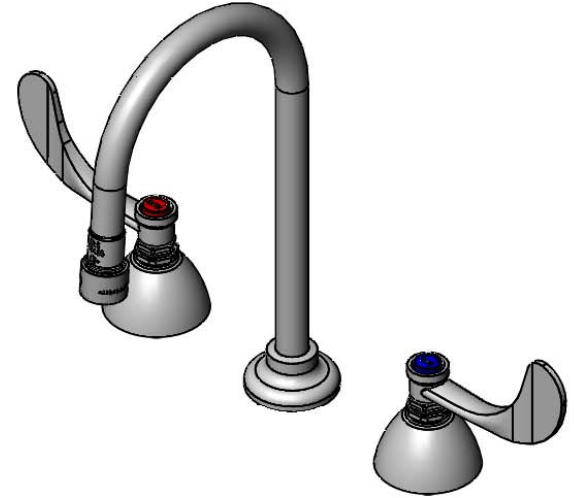
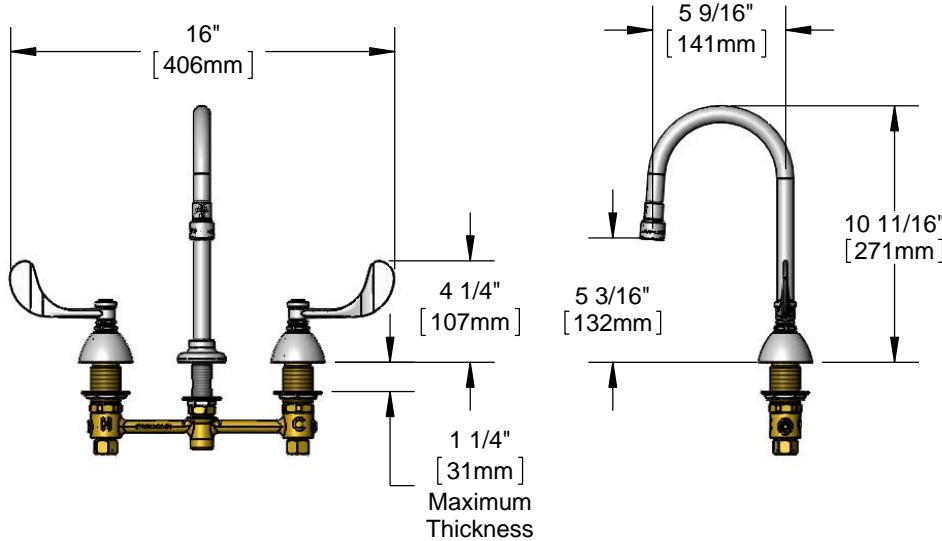




Architect/Engineering Specifications:

8" concealed deck mount mixing faucet with forged brass body, rigid gooseneck, 2.2 GPM vandal resistant aerator, compression cartridges, 4" wrist action handles with vandal resistant screws, chrome plated escutcheon and 1/2" NPSM male inlets with coupling nuts. Certified to ASME A112.18.1/CSA B125.1, NSF 61-Section 9 and NSF 372. Meets ADA ANSI/ICC A117.1 requirements.

Job Name _____
Model Specified _____ Quantity _____
Variations Specified _____
Date _____



Features & Benefits:

- 8" EasyInstall concealed deck mount mixing faucet w/ forged brass body
5 9/16" rigid gooseneck
2.2 GPM vandal resistant aerator, Series 7 (B-0199-07)
Eterna compression cartridges
4" wrist action handles w/ color coded indexes
Vandal resistant handle screws
1/2" NPSM male inlets w/ coupling nuts
Material: Forged brass body, chrome plated metal handles & chrome plated brass tubular nozzle

Product Compliance:

- ASME A112.18.1 / CSA B125.1
NSF 61 - Section 9
NSF 372 (Low Lead Content)
ANSI A117.1 (ADA)

Warranty: One Year (Limited)

Performance Data:

- Pressure: 20 - 125 psi
Temperature: 40 °F - 140 °F
Flow Rate: 2.2 GPM @ 60 psi



ADA Compliant

Optional Outlets (Series 2 / VR Series 7)

Table with 7 columns: GPM, Aerated, Non-Aerated (Laminar), VR Aerated, VR Non-Aerated (VR Laminar), Optional Handles, Optional Cartridges. Rows include flow rates from 0.35 to 2.2 GPM and various handle and cartridge options.

