



T&S BRASS AND BRONZE WORKS, INC.

2 Saddleback Cove / P.O. Box 1088
Travelers Rest, SC 29690

Model No.

B-0205

Item No.

Travelers Rest, SC: 800-476-4103 • Simi Valley, CA: 800-423-0150 • Fax: 864-834-3518 • www.tsbrass.com



ADA Compliant

This Space for Architect/Engineer Approval

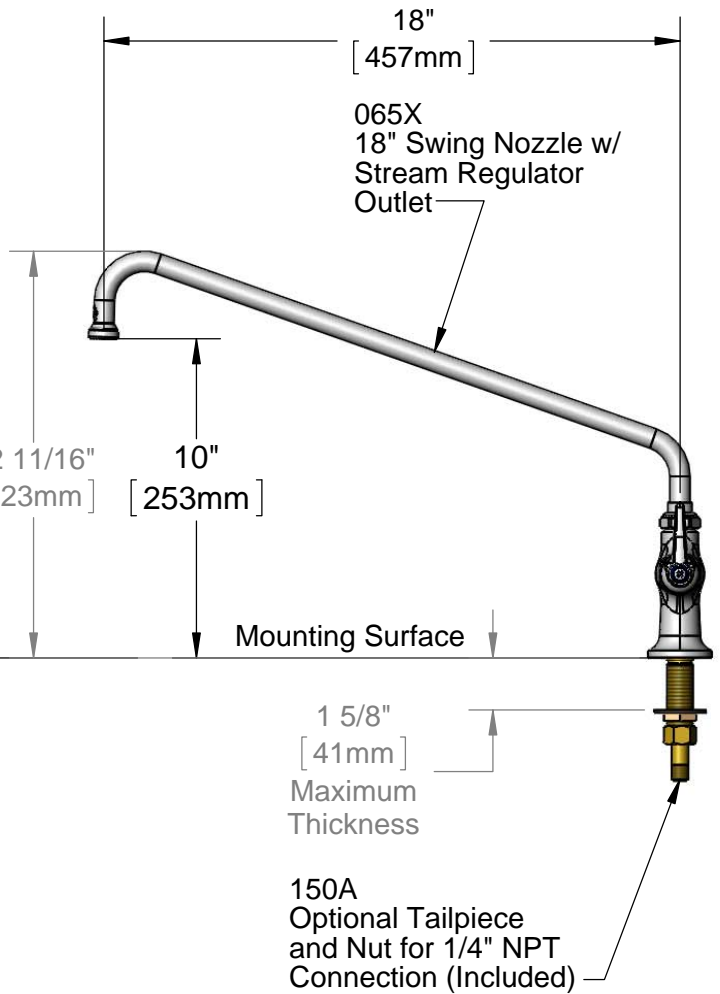
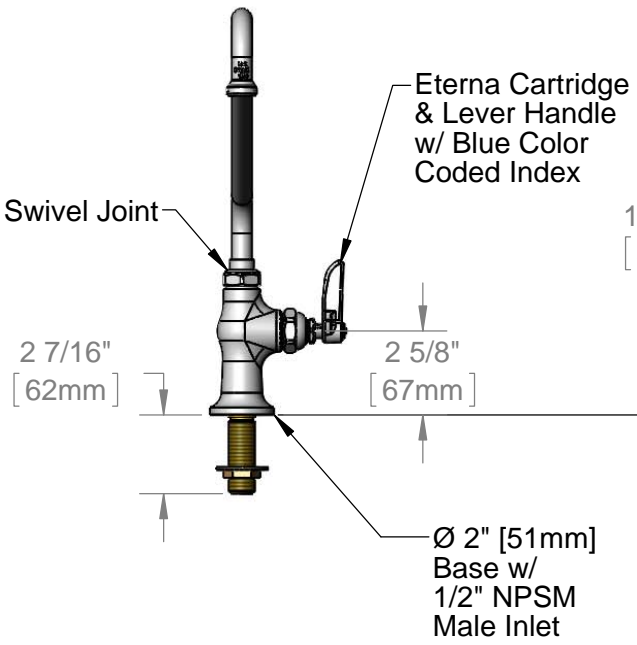
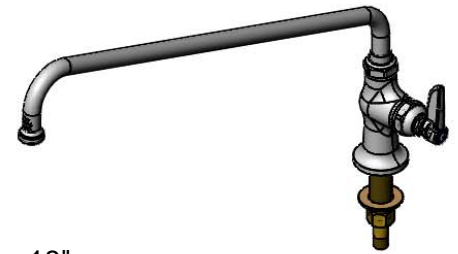
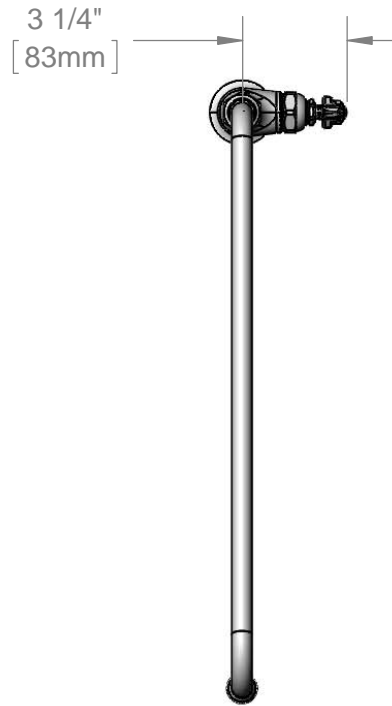
Job Name _____ Date _____

Model Specified _____ Quantity _____

Customer/Wholesaler _____

Contractor _____

Architect/Engineer _____



Rough-In Requirement:
Ø 1" [25mm] Mounting Hole

Product Specifications:
Single Hole Single Temperature Deck Mount Faucet, Eterna Cartridge,
Lever Handle, 18" Swing Nozzle & 1/2" NPSM Male Inlet

Drawn DHL	Checked DMH	Approved JHB
Scale: 1:6		Date: 02/04/14



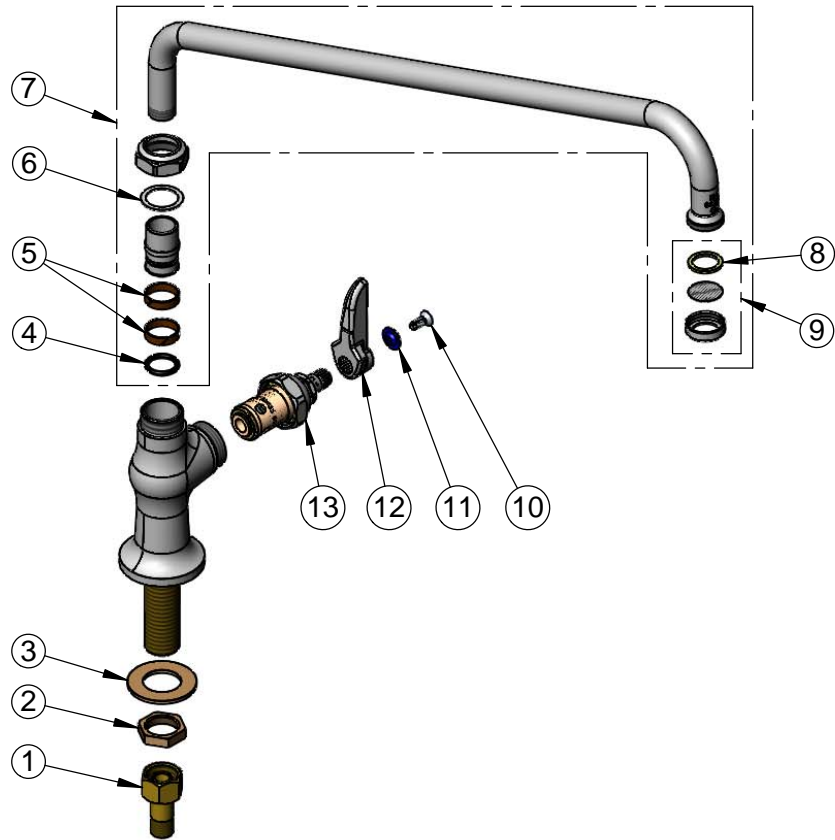
T&S BRASS AND BRONZE WORKS, INC.
 2 Saddleback Cove / P.O. Box 1088
 Travelers Rest, SC 29690

Model No.
B-0205

Item No.

Travelers Rest, SC: 800-476-4103 • Simi Valley, CA: 800-423-0150 • Fax: 864-834-3518 • www.tsbrass.com

ITEM NO.	SALES NO.	DESCRIPTION
1	150A	1/2" NPT Female Eccentric Flange
2	002954-45	Shank Lock Nut
3	000999-45	Brass Lock Washer
4	001074-45	O-Ring
5	011429-45	Swivel Sleeves (2)
6	009538-45	Swivel Washer
7	065X	18" Swing Nozzle
8	001048-45	Nozzle Tip Washer
9	B-PT	Stream Regulator Outlet
10	000922-45	Lever Handle Screw
11	001660-45	Blue Index-CW
12	001638-45	Lever Handle
13	005960-40	Eterna Cartridge, RTC



Product Specifications:
 Single Hole Single Temperature Deck Mount Faucet, Eterna Cartridge,
 Lever Handle, 18" Swing Nozzle & 1/2" NPSM Male Inlet

Drawn DHL	Checked DMH	Approved JHB
Scale: NTS		Date: 02/04/14