



T&S BRASS AND BRONZE WORKS, INC.

2 Saddleback Cove / P.O. Box 1088
Travelers Rest, SC 29690

Model No.

0RK2

Item No.

Travelers Rest, SC: 800-476-4103 • Simi Valley, CA: 800-423-0150 • Fax: 864-834-3518 • www.tsbrass.com

This Space for Architect/Engineer Approval

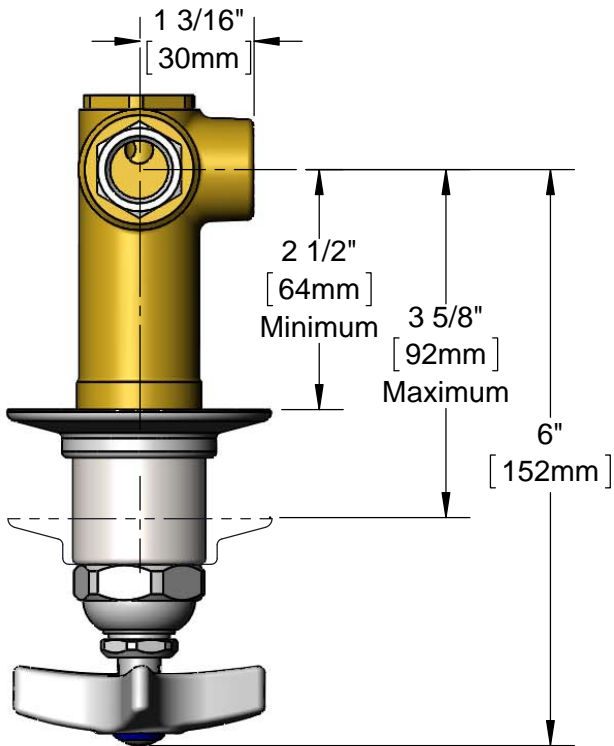
Job Name _____ Date _____

Model Specified _____ Quantity _____

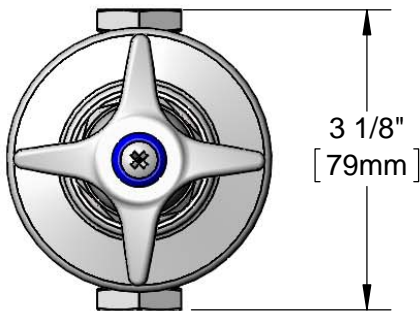
Customer/Wholesaler _____

Contractor _____

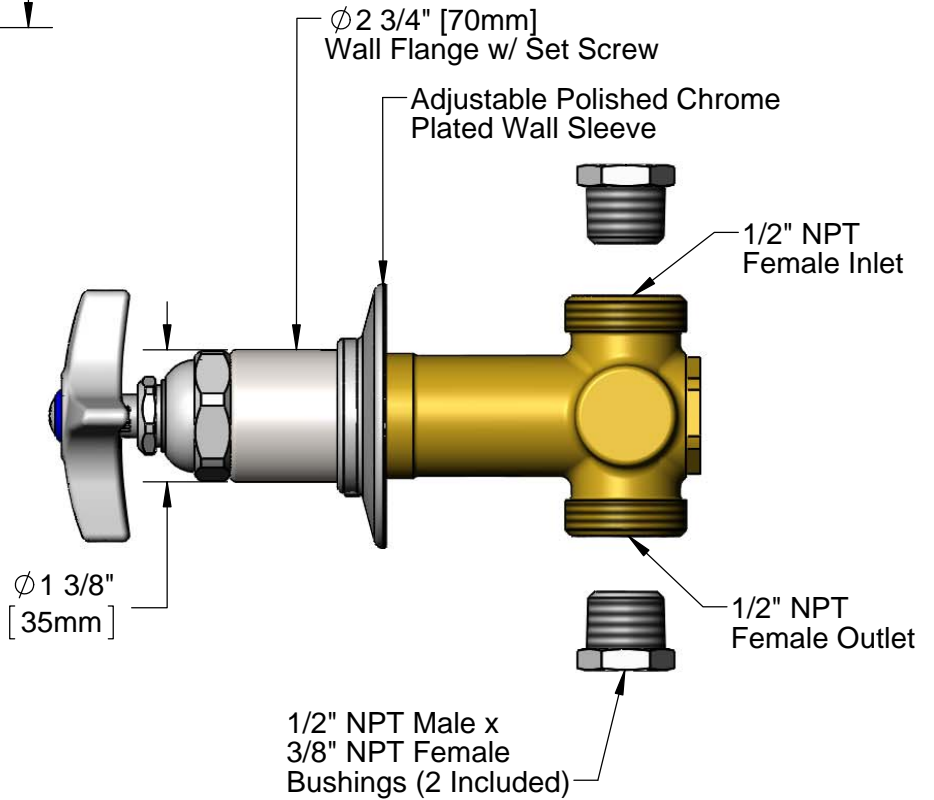
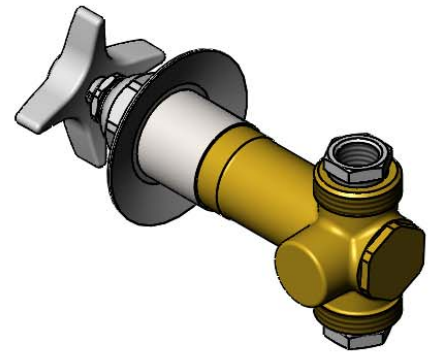
Architect/Engineer _____



4-Arm Handle
w/ Blue Index



ADA Compliant



Rough-In Requirement:
Ø 1 1/2" [38mm] Holes

Product Specifications:
Shutoff / Control Valve w/ Adjustable Wall Flange & 4-Arm Handle

Product Compliance:
ASME A112.18.1 / CSA B125.1
NSF 61 - Section 9
NSF 372 (Low Lead Content)
ANSI A117.1 (ADA)



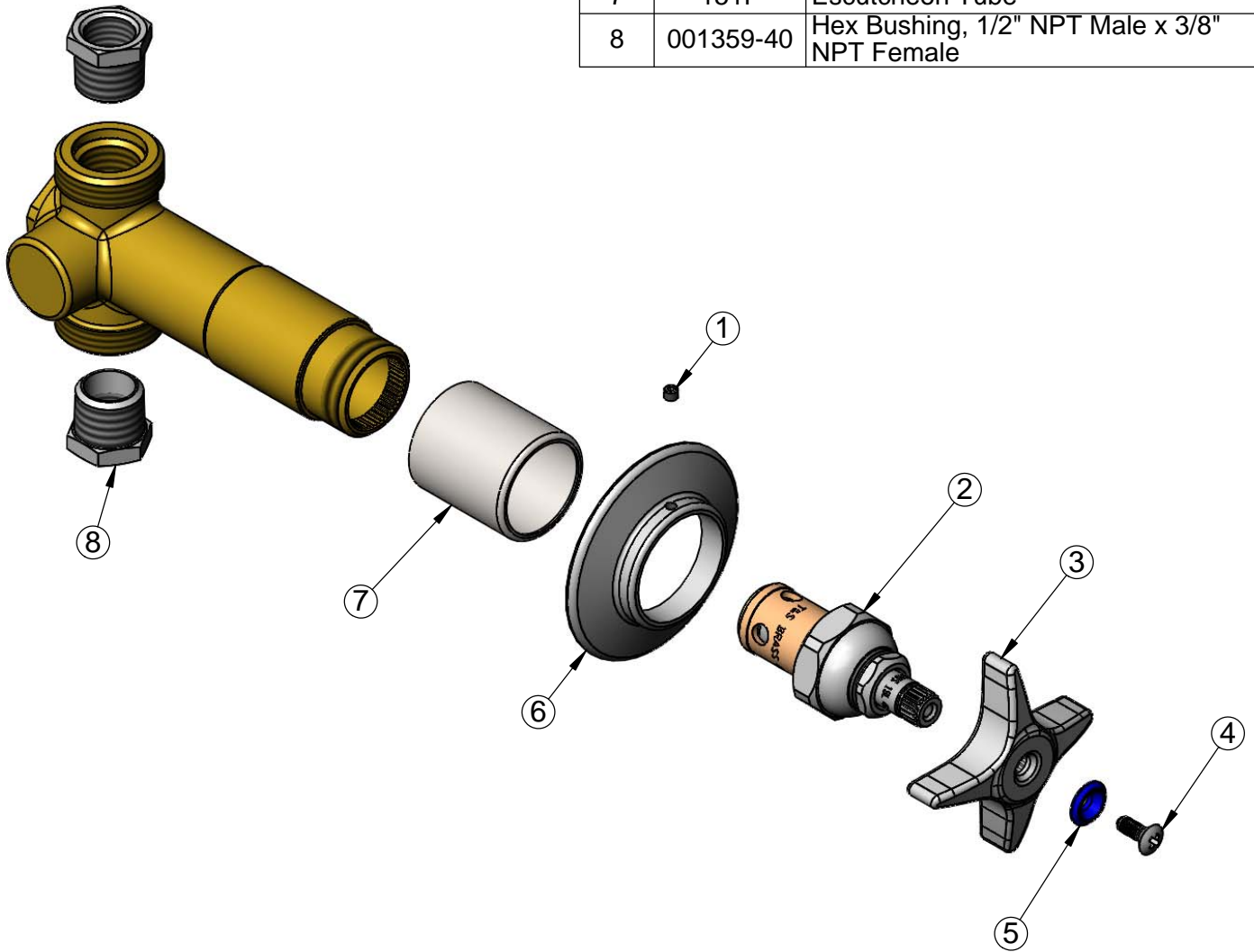
T&S BRASS AND BRONZE WORKS, INC.
 2 Saddleback Cove / P.O. Box 1088
 Travelers Rest, SC 29690

Model No.
0RK2

Item No.

Travelers Rest, SC: 800-476-4103 • Simi Valley, CA: 800-423-0150 • Fax: 864-834-3518 • www.tsbrass.com

ITEM NO.	SALES NO.	DESCRIPTION
1	000939-45	Escutcheon, Set Screw
2	005960-40	Eterna Cartridge, RTC
3	002521-45	4-Arm Handle
4	000922-45	Lever Handle Screw
5	001660-45	Blue Index-CW
6	001501-40	Escutcheon
7	151F	Escutcheon Tube
8	001359-40	Hex Bushing, 1/2" NPT Male x 3/8" NPT Female



Product Specifications:
 Shutoff / Control Valve w/ Adjustable Wall Flange & 4-Arm Handle

Product Compliance:
 ASME A112.18.1 / CSA B125.1
 NSF 61 - Section 9
 NSF 372 (Low Lead Content)
 ANSI A117.1 (ADA)