



T&S BRASS AND BRONZE WORKS, INC.

2 Saddleback Cove / P.O. Box 1088
Travelers Rest, SC 29690



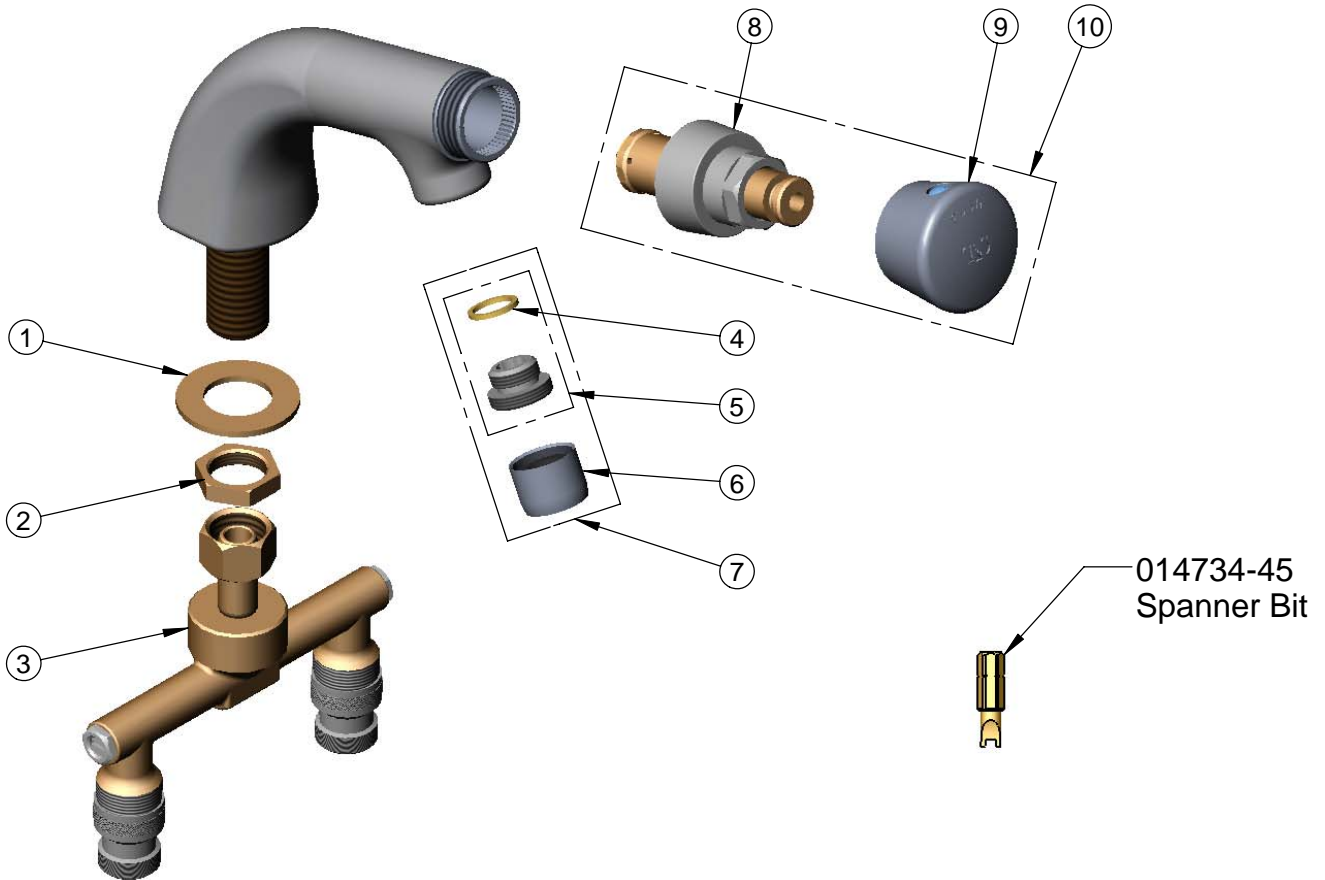
REG. #A2601
ISO #9001

Model No.
B-0807

Item No.

Travelers Rest, SC: 800-476-4103 Simi Valley, CA: 800-423-0150 Fax: 864-834-3518 www.tsbrass.com

ITEM NO.	SALES NO.	DESCRIPTION
1	000999-45	Brass Lock Washer
2	002954-45	Shank Lock Nut
3	002899-40	4" Spreader Unit
4	001043-45	Washer
5	044A	3/8" to Aerator Adapter
6	B-0199-01	2.2 GPM Aerator, 55/64-27 Female
7	B-0199-02	2.2 GPM Aerator, 3/8" NPSM
8	238A	Push Button Metering Cartridge
9	014193-40	Blank Push Cap Asm
10	238AB	Push Button Metering Cartridge w/ Push Button Cap



Product Specifications:

Single Temperature Deck Mount Faucet w/ Undercounter Spreader Assembly, Check Valves, Push Button Metering Cartridge, 2.2 GPM Aerator

Drawn DMH	Checked GEF	Approved JHB
Scale: NTS		Date: 07/09/08