



T&S BRASS AND BRONZE WORKS, INC.

2 Saddleback Cove / P.O. Box 1088
Travelers Rest, SC 29690

Model No.

B-0240-LN

Item No.

Travelers Rest, SC: 800-476-4103 • Simi Valley, CA: 800-423-0150 • Fax: 864-834-3518 • www.tsbrass.com

This Space for Architect/Engineer Approval

Job Name _____ Date _____

Model Specified _____ Quantity _____

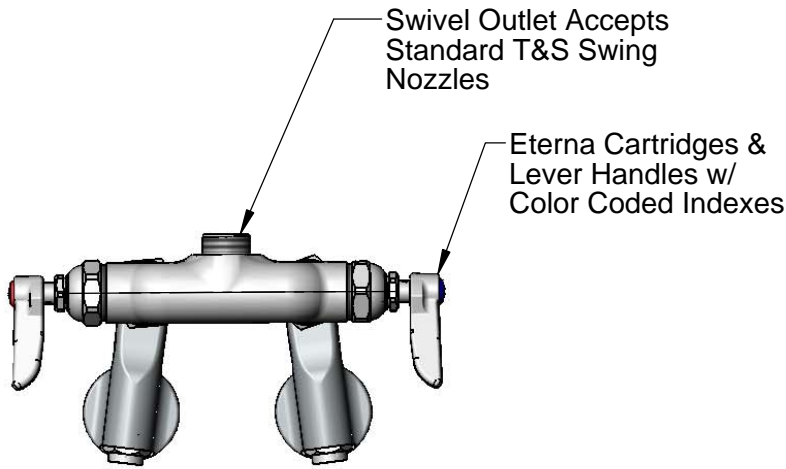
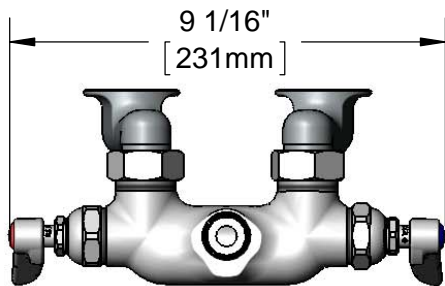
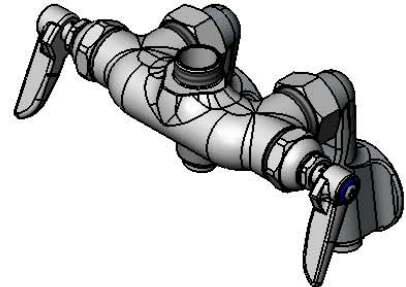
Customer/Wholesaler _____

Contractor _____

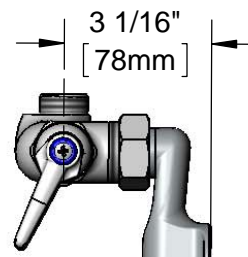
Architect/Engineer _____



ADA Compliant



Adjustable from
2 1/4" to 8 1/4"
[57mm to 210mm]
Below or Above Centerline



Integral Screw
Driver Stop

Ø 2" [51mm]
Flanges w/
1/2" NPT
Female Inlets

Product Specifications:

Adjustable Wall Mount Faucet, Eterna Cartridges, Lever Handles & 1/2" NPT Female Adjustable Inlets w/ Integral Stops, Less Nozzle

Product Compliance:

ASME A112.18.1 / CSA B125.1
NSF 61 - Section 9
NSF 372 (Low Lead Content)
ANSI A117.1 (ADA)



T&S BRASS AND BRONZE WORKS, INC.

2 Saddleback Cove / P.O. Box 1088
Travelers Rest, SC 29690

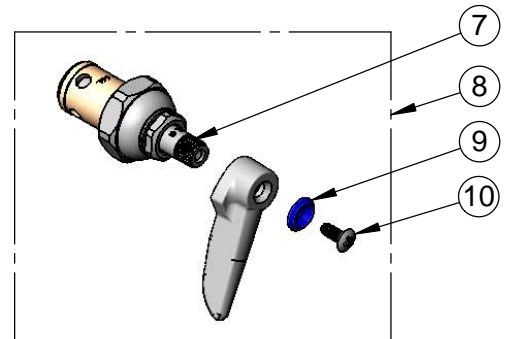
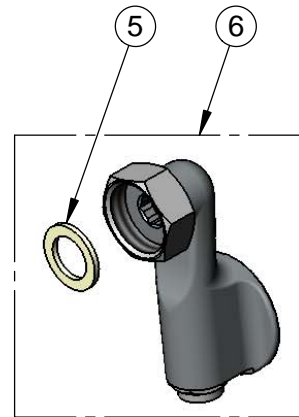
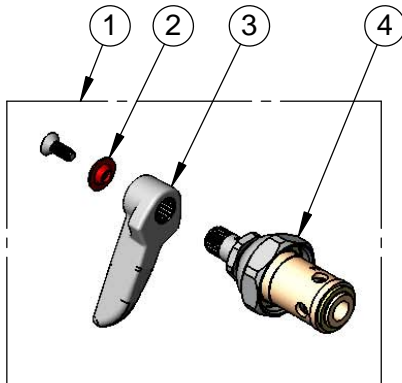
Model No.

B-0240-LN

Item No.

Travelers Rest, SC: 800-476-4103 • Simi Valley, CA: 800-423-0150 • Fax: 864-834-3518 • www.tsbrass.com

ITEM NO.	SALES NO.	DESCRIPTION
1	002714-40	Eterna Cartridge, RTC w/ Handle, Index & Screw
2	001661-45	Red Index-HW
3	001638-45	Lever Handle
4	005960-40	Eterna Cartridge, RTC
5	001019-45	Coupling Nut Washer
6	00GG	1/2" NPT Female Adjustable Arm Inlet Flange
7	005959-40	Eterna Cartridge, LTC
8	002713-40	Eterna Cartridge, LTC w/ Handle, Index & Screw
9	001660-45	Blue Index-CW
10	000922-45	Lever Handle Screw



Product Specifications:

Adjustable Wall Mount Faucet, Eterna Cartridges, Lever Handles & 1/2" NPT Female Adjustable Inlets w/ Integral Stops, Less Nozzle

Product Compliance:

ASME A112.18.1 / CSA B125.1
NSF 61 - Section 9
NSF 372 (Low Lead Content)
ANSI A117.1 (ADA)