



# T&S BRASS AND BRONZE WORKS, INC.

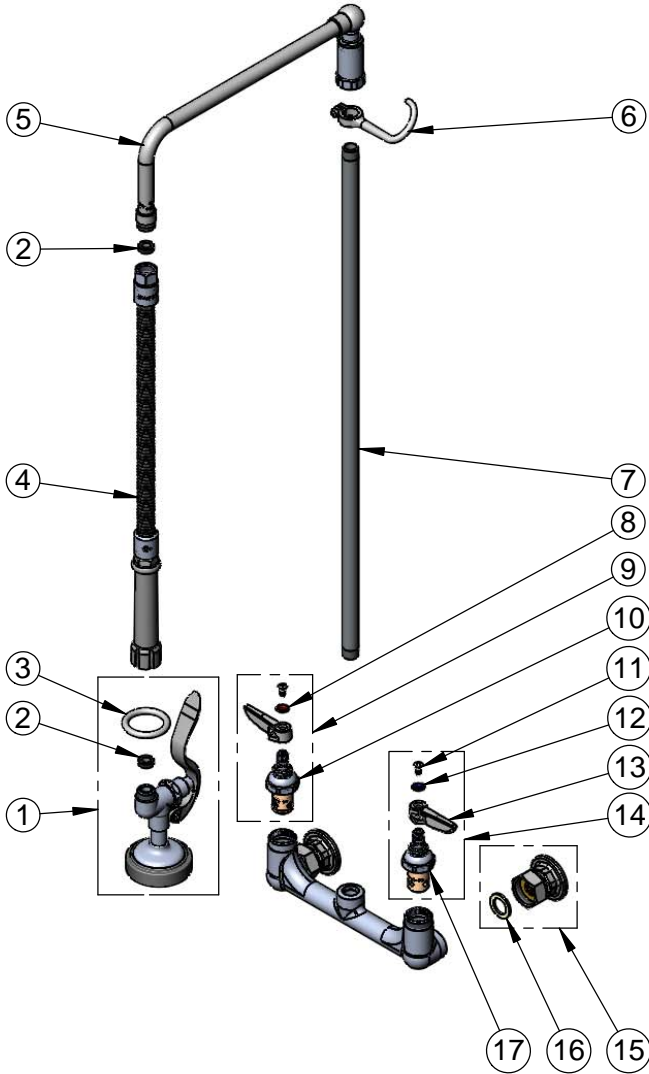
2 Saddleback Cove / P.O. Box 1088  
Travelers Rest, SC 29690

Model No.

**B-0131**

Item No.

Travelers Rest, SC: 800-476-4103 • Simi Valley, CA: 800-423-0150 • Fax: 864-834-3518 • www.tsbrass.com



ITEM NO.	SALES NO.	DESCRIPTION
1	B-0107	1.42 GPM Spray Valve
2	010476-45	#27 Washer
3	000907-45	Spray Valve Hold Down Ring
4	B-0020-H	20" Flexible Stainless Steel Hose
5	002882-40	12" Swivel L-Tube
6	004R	Finger Hook
7	000373-40	3/8" NPT x 26" Riser
8	001661-45	Red Index-HW
9	002712-40	Eterna Cartridge, RTC w/ Spring Check, Handle, Index & Screw
10	012443-40	Eterna Cartridge, RTC w/ Spring Check
11	000922-45	Lever Handle Screw
12	001660-45	Blue Index-CW
13	001638-45	Lever Handle
14	002711-40	Eterna Cartridge, LTC w/ Spring Check, Handle, Index & Screw
15	00AA	1/2" NPT Female Eccentric Flange
16	001019-45	Coupling Nut Washer
17	012442-40	Eterna Cartridge, LTC w/ Spring Check

**Product Specifications:**

Pre-Rinse Unit: 8" Wall Mount Mixing Faucet, Eterna Cartridges w/ Spring Checks, Lever Handles, Overhead Swivel Arm, 20" Flexible Stainless Steel Hose w/ 1.42 GPM Spray Valve & 1/2" NPT Female Inlets

**Product Compliance:**

ASME A112.18.1 / CSA B125.1  
NSF 61 - Section 9  
NSF 372 (Low Lead Content)  
EPA Act 2005 (PRSV)