



Location:



SYMMONS® Elm™
Shower System S-5501
Specification Submittal



Feature Highlights

- Symmons Shower System with lever handle
- Symmons Temptrol® pressure-balancing mixing valve with adjustable stop screw to limit handle turn
- Screwless escutcheon
- Secondary integral volume control handle
- Showerhead #552SH three mode, 4 inch diameter
- Showerhead arm and flange
- Standard flow rate is 2.5 gpm (9.5 L/min)
Optional lower flow rate restrictor available 
- Polished chrome finish

Model Numbers

- S-5501
Shower System with Symmons Temptrol® mixing valve
p/n S-4001-BODY
- S-5501-TRM
Trim only, mixing valve ordered separately
- S-4001-BODY
Symmons Temptrol® mixing valve without trim
- S-4001-X-BODY
Symmons Temptrol® mixing valve without trim.
Valve includes integral service stops to allow water
shut-off for service



Finish Options / Modifications

Append appropriate -suffix to model number

- STN Satin Nickel
- SBZ Seasoned Bronze
- Polished Chrome (standard finish)

Options / Modifications

Append appropriate -suffix to model number

- IPS 1/2 inch female IPS connections on
Symmons Temptrol® mixing valve
(not available with -X integral service stops)
- X Integral service stops included with
Temptrol® mixing valve to allow water
shut-off for service, p/n S-4001-X-BODY
(option only applies when ordering S-5501)
- CHKS Check Stops: Temptrol® mixing valve
includes integral check stops
*(Requires integral service stops, suffix -X.
Used in installations where a positive shut-off
device is used downstream of mixing valve.)*
- REV Reverse core: Temptrol® mixing valve
with reverse core. *(Requires integral service
stops, suffix -X. Used in back-to-back system
installations. HOT on the right, COLD on the left)*
- L/HD Showerhead not included
(includes showerhead arm and flange only)
-  -2.0 2.0 gpm (7.6 L/min) flow rate restrictor
-  -1.5 1.5 gpm (5.7 L/min) flow rate restrictor

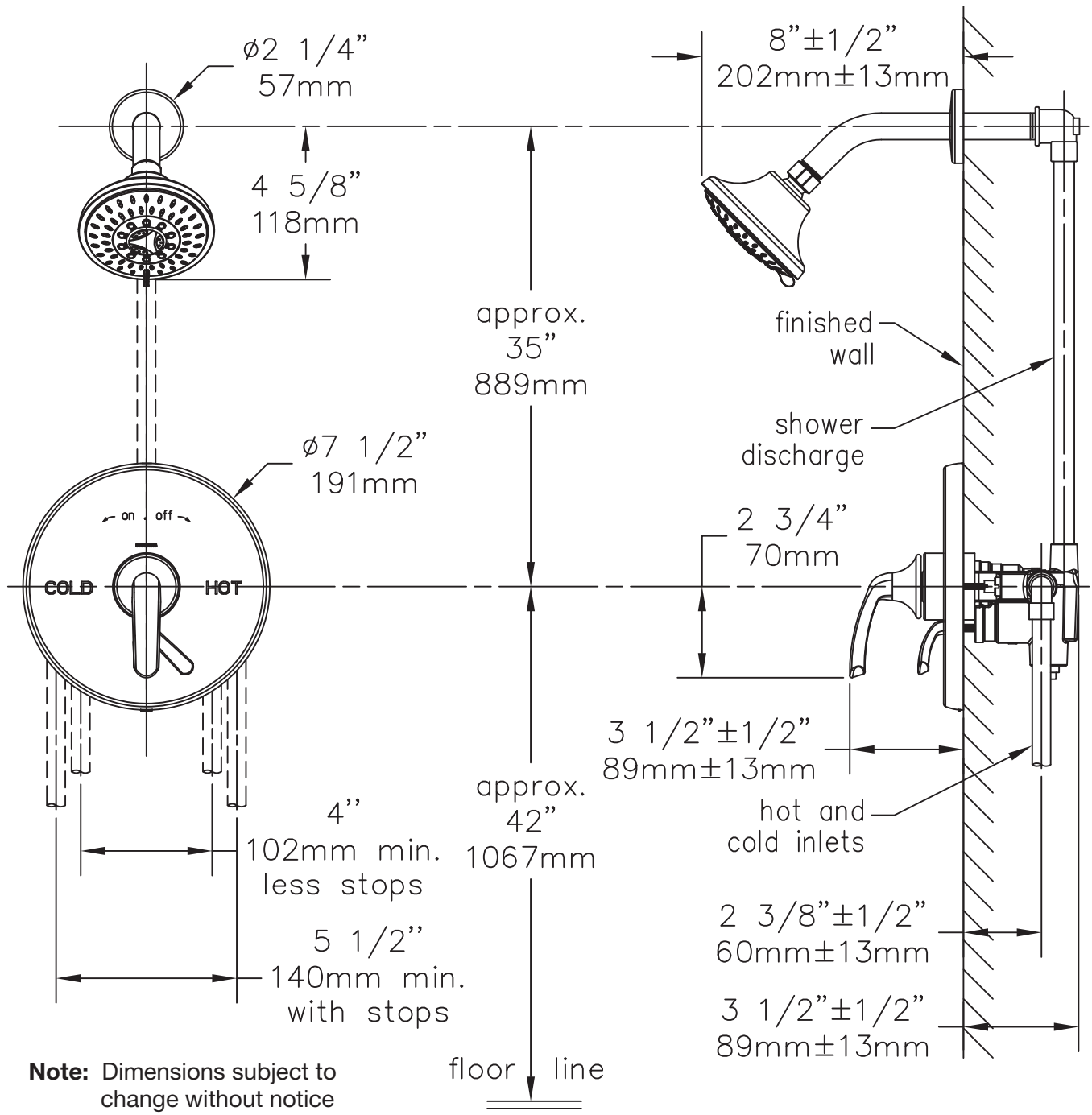
Standards / Certifications

ASME A112.18.1-2005 / CSA B125.1-05
Americans with Disabilities Act (ADA) compliant

Warranty

- Limited Lifetime - to the original end purchaser in
consumer installations
- 5 years - for commercial installations

Dimensions Elm Shower System, S-5501



Note: Dimensions subject to change without notice