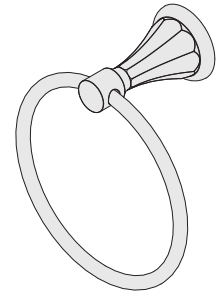




# SYMMONS® Canterbury™

## Towel Ring 453TR

### Specification Submittal



#### Model Numbers

- 453TR Towel ring

#### Feature Highlights

- Metal construction
- Standard finish is polished chrome

#### Finish Options

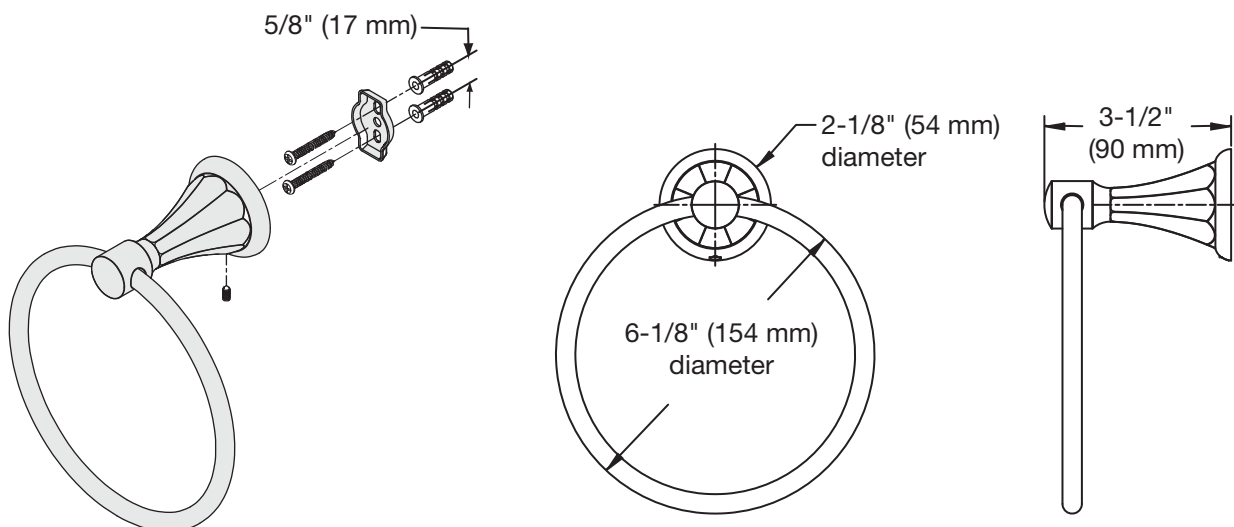
*Append appropriate -suffix to model number.*

- STN Satin nickel finish
- Polished chrome (standard finish)

#### Warranty

- Limited Lifetime - to the original end purchaser in consumer installations.
- 5 years - for commercial installations

#### Dimensions *Canterbury Towel Ring, 453TR*



**Note:** *Dimensions subject to change without notice.*

Symmons Industries, Inc. ■ 31 Brooks Drive ■ Braintree, MA 02184  
(800) 796-6667, (781) 848-2250 ■ Fax (800) 961-9621, (781) 843-3849  
Website: [www.symmons.com](http://www.symmons.com) ■ Email: [customerservice@symmons.com](mailto:customerservice@symmons.com)

©2008 Symmons Industries, Inc. Printed in U.S.A. ■ 102808



**SYMMONS®**  
the smart choice™