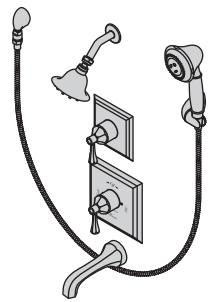






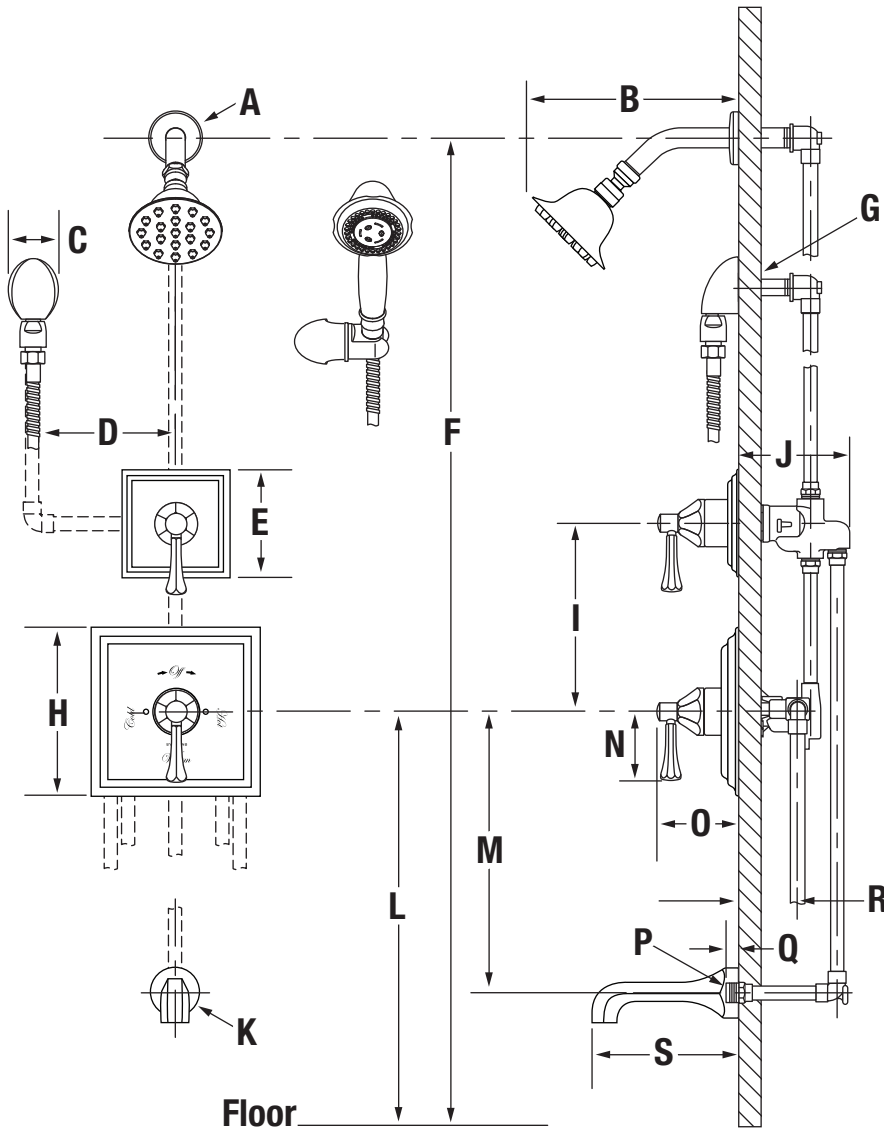
4503-TRM, 4505-TRM, 4506-TRM  
 Canterbury™ Trim Series  
 Operation & Maintenance Manual



Model Numbers	Specifications
<input type="checkbox"/> <b>4503-TRM</b> <i>Valve Trim with Hand Shower</i>  <input type="checkbox"/> <b>4505-TRM</b> <i>Shower Trim with Hand Shower</i>  <input type="checkbox"/> <b>4506-TRM</b> <i>Tub/Shower with Hand Shower Trim</i>	<p>Tub/shower trim with hand shower and lever handle includes wall connection, cradle for hand shower mounting, in-line vacuum breaker, flexible metal hose, non-diverter tub spout (069), 3 mode hand shower (442W) and 1 mode showerhead (4-163) with standard 2.5 gpm (9.5 L/min) flow restrictor. Shower trim with hand shower and lever handle includes all of the above less non-diverter tub spout. Valve trim with hand shower and lever handle includes all of the above less non-diverter tub spout and 1 mode showerhead. Components made from metal and plastic materials plated in standard polished chrome finish.</p>
Modifications	Warranty
<input type="checkbox"/> <b>-1.5</b>  <i>1.5 gpm (5.7 L/min) flow restrictor</i> <input type="checkbox"/> <b>-2.0</b>  <i>2.0 gpm (7.6 L/min) flow restrictor</i> <input type="checkbox"/> <b>-442HSB</b> <i>30" slide bar in place of wall cradle on hand shower units</i>  <input type="checkbox"/> <b>-STN</b> <i>Satin nickel finish</i>	<p><b>Limited Lifetime</b> - to the original end purchaser in consumer installations.  <b>5 Years</b> - for commercial installations.</p> <p>Refer to <a href="http://www.symmons.com/warranty">www.symmons.com/warranty</a> for complete warranty information.</p>

**Note:** Append appropriate -suffix to model number.

## Dimensions

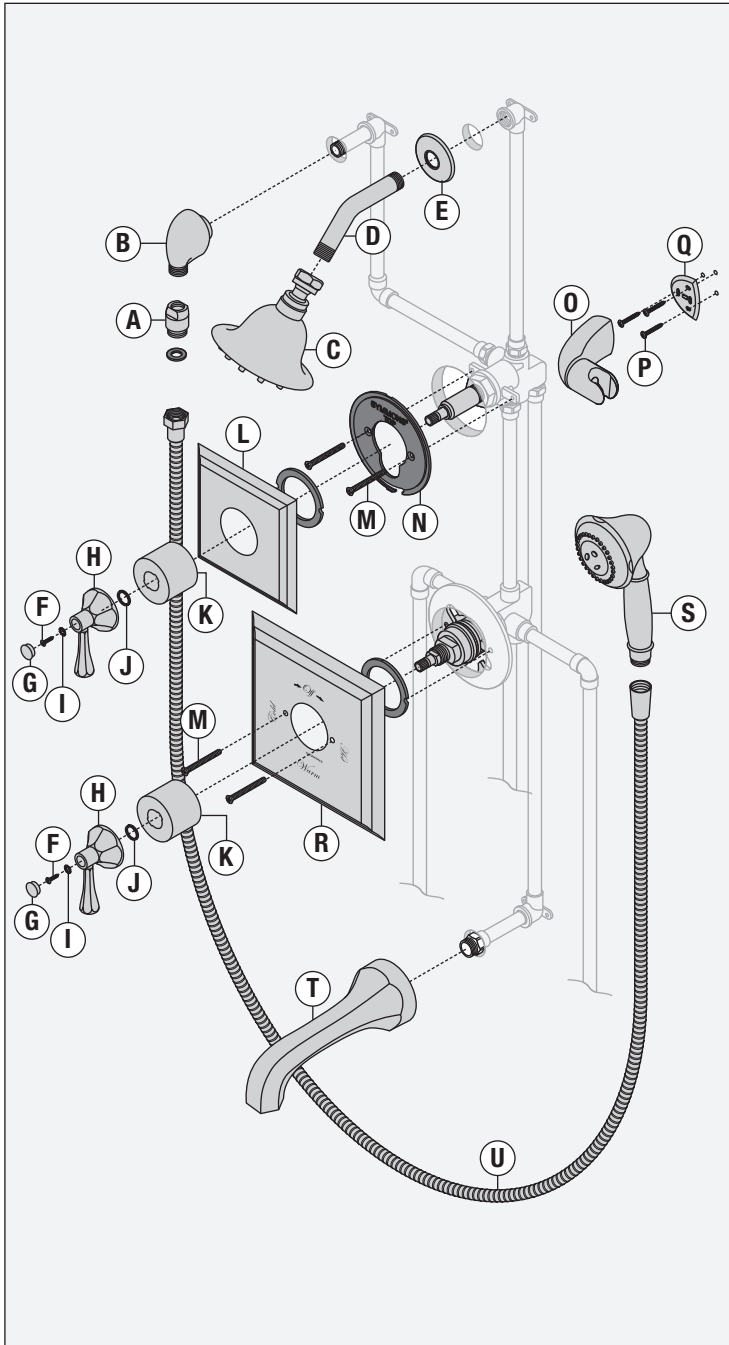


Measurements	
A	Ø 2 1/4", 57 mm
B	8 5/8", 219 mm
C	2 1/8", 54 mm
D	6", 152 mm right or left
E	5", 127 mm
F	77", 1956 mm
G	Male 1/2" NPT thread must be recessed 1/4" from finished wall
H	7 1/2", 191 mm
I	10", 25 mm
J	4 3/4", 121 mm
K	Ø 2 5/8", 67 mm
L	32", 813 mm (4506-TRM) 45", 1143 mm (4503-TRM, 4505-TRM)
M	12", 305 mm
N	3", 76 mm
O	3", 76 mm
P	1/2" NPT
Q	1/2", 13 mm
R	(Rough-in) 2 3/8" ± 1/2", 60 mm ± 13 mm
S	7 1/4", 184 mm

### Notes:

- 1) All dimensions measured from nominal rough-in (see S as reference).
- 2) Dimensions are subject to change without notice.

## Parts Breakdown




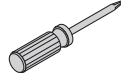
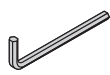

### Replacement Parts

Item	Description	Part Number
B	Wall Elbow	EF-105
C	Showerhead	4-163
D E	Shower Arm Flange	300
F G H I	Set Screw Plug Button Handle Star Washer	T-226
J K	Lock Nut Dome Cover	T-19/20-PL
L M N	Diverter Excuteon Mounting Screws Mounting Plate	T-531
O P Q	Wall Cradle Cradle Mounting Screws Cradle Mounting Plate	EF-106
M R	Mounting Screws Shower Escutcheon	T-225
S	Hand Shower	442W
T	Tub Spout	069
A U	60" Hose with Vacuum Breaker	EF-104

#### Notes:

- 1) Append -STN to part number for Satin nickel finish.
- 2) Append -1.5 or -2.0 to showerhead or hand shower for low flow.

### Required for Installation

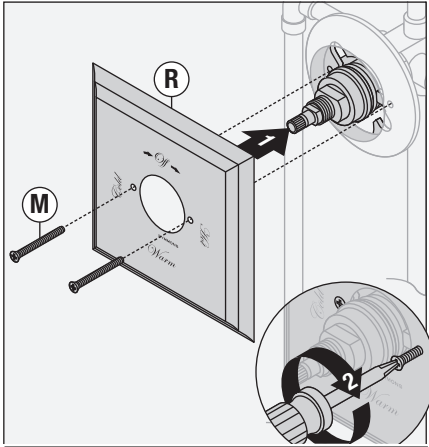
Adjustable wrench	
Phillips head screwdriver	
Allen wrench, 3/16"	
Teflon Tape	

# Installation

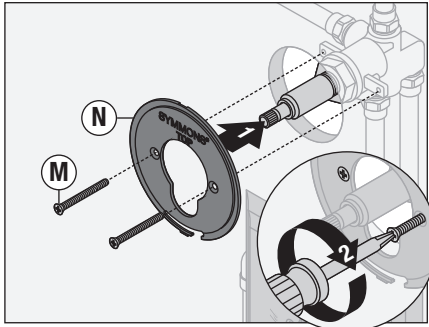
**Note:**

For valve body installation, please see valve body installation guides.

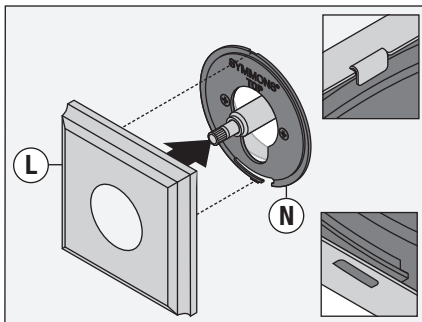
- 1) Install shower escutcheon (R) to shower valve. Secure with two screws (M).



- 2) Attach mounting plate (N) to diverter valve (4505 and 4506 only). Secure with two screws (M).

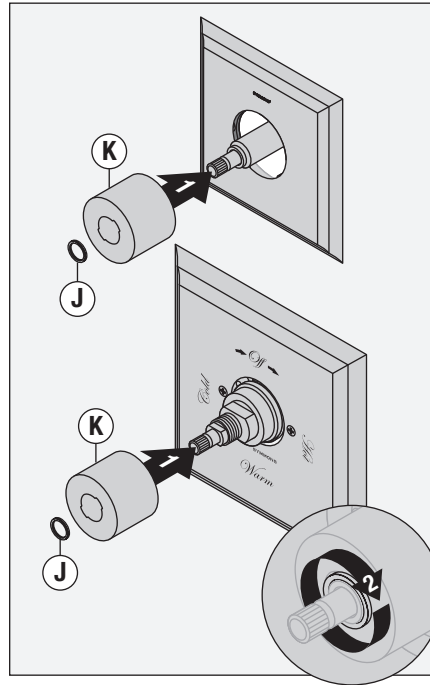


- 3) Attach diverter escutcheon (L) to plastic mounting plate (N).

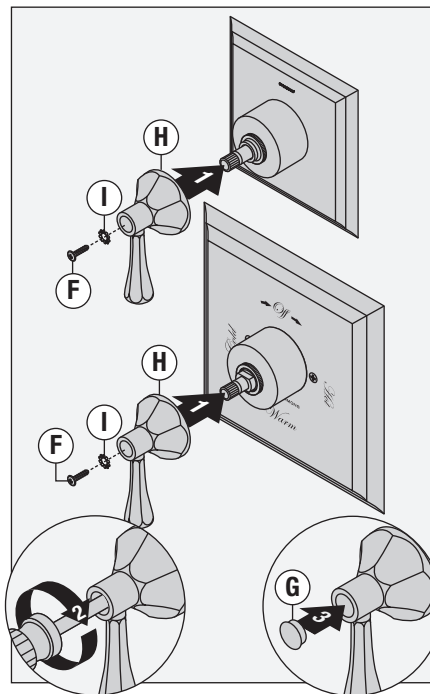


**Note:** Tabs should snap into place.

- 4) Install dome covers (K) to valves and secure with lock nuts (J).

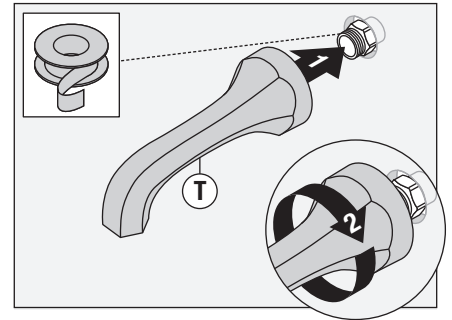


- 5) Install handles (H) to valves and secure with screws (F) and star washers (I). Attach plug button (G) to handle.

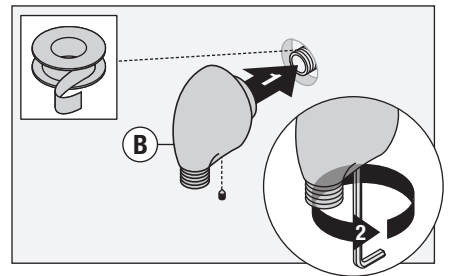


**Note:** Handles should be facing the 6 o'clock position.

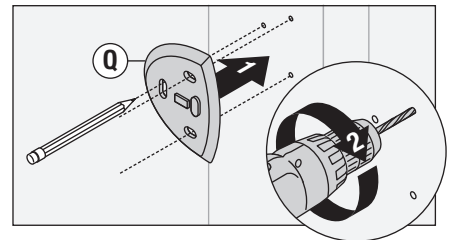
- 6) Install tub spout (T) to pipe fitting. Turn clockwise to secure.



- 7) Install wall elbow (B) to stub out pipe. Tighten Allen screw (3 mm) to secure.

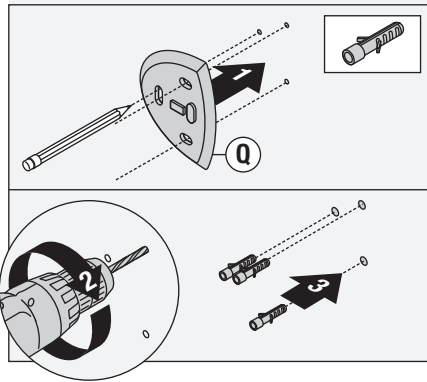


- 8) Place cradle mounting plate (Q) in position, mark and drill 1/8" pilot holes into stud.

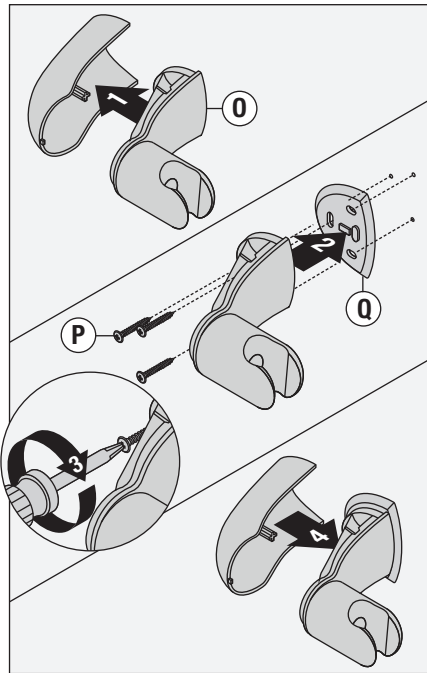


# Installation

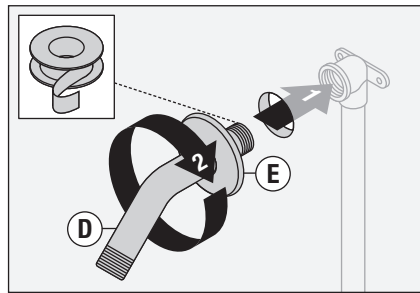
**Option:** Place cradle mounting plate (Q) in position, mark and drill 3/16" holes into wall. Install anchors.



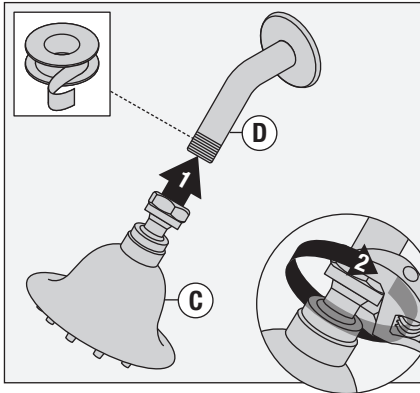
9) Remove cover of hand shower cradle (O). Install cradle and mounting plate (Q). Secure with three screws (P). Replace cover on hand shower cradle.



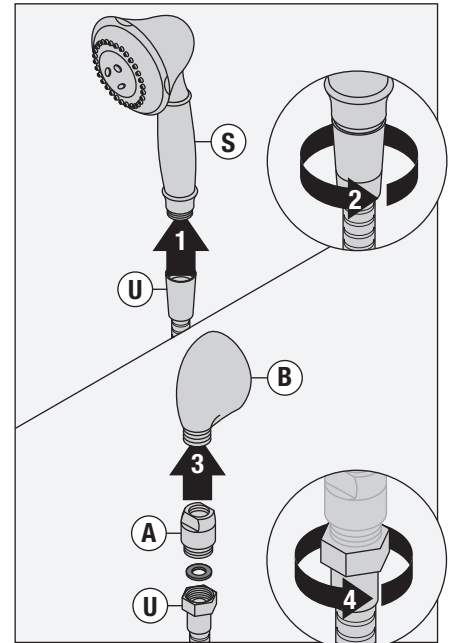
10) Attach shower arm (D) and flange (E) to vertical shower pipe turning clockwise to tighten.



11) Install showerhead (C) to shower arm (D) turning clockwise to tighten.



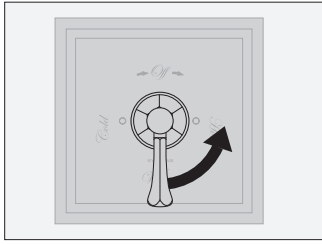
12) Attach large end of hand shower hose (U) to hand shower (S). Attach small end of hand shower hose (U) and gasket to in-line vacuum breaker (A). Connect in-line vacuum breaker to wall elbow (B). Turn clockwise to tighten.



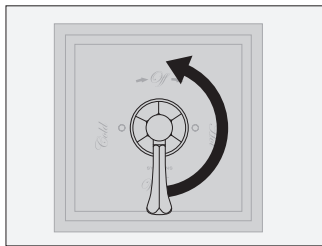
## Operation

### Temperature Control

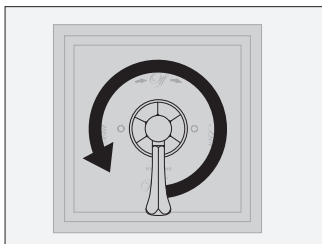
- 1) Turn shower handle counterclockwise approximately 1/4 turn to put valve in cold position.



- 2) Turn shower handle counterclockwise approximately 1/2 turn to put valve in warm position.

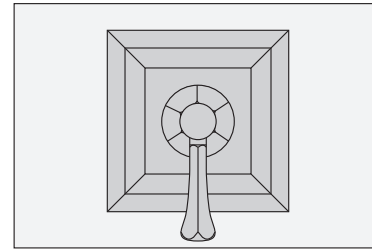


- 3) Turn shower handle counterclockwise approximately 3/4 turn to put valve in hot position.



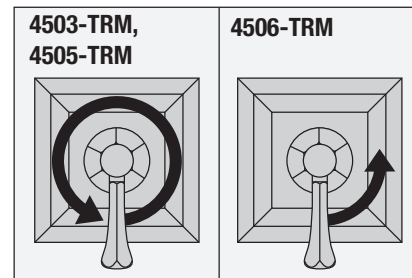
### Diverter Control

- 1) Diverter handle facing straight down is for diverter function 1.

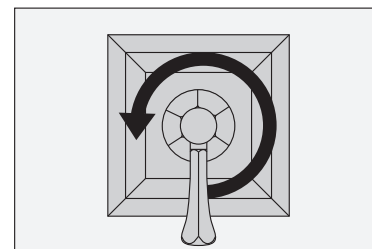


- 2) **4503-TRM & 4505-TRM:** Turn diverter handle counterclockwise one full revolution for diverter function 2.

- 4506-TRM:** Turn diverter handle counterclockwise 1/4 turn for diverter function 2.



- 3) **4706-TRM:** Turn diverter handle counterclockwise 3/4 turn for diverter function 3.



### Care and Cleaning

- 1) Clean finished trim area with a soft cloth using mild soap and water or a non-abrasive cleaner and then quickly rinse with water.

### Troubleshooting Chart

Problem	Cause	Solution
Finish is spotting.	Elements in water supply may cause water staining on finish.	Clean finished trim area with a soft cloth using mild soap and water or a non-abrasive cleaner and then quickly rinse with water.