





SLW5912PP Location:  
 Two Handle Widespread Lavatory Faucet  
**Specification Submittal**

<p><b>Model Numbers</b></p> <p><input type="checkbox"/> <b>SLW5912PP</b> Two Handle Widespread Lavatory Faucet</p>	<p><b>Feature Highlights</b></p> <ul style="list-style-type: none"> <li>8" to 16" mount configuration.</li> <li>Quarter turn ceramic cartridges.</li> <li>3/8" inlet connections.</li> <li>24" Braided supply hoses.</li> <li>Metal drain assembly.</li> <li>Standard 1.0 gpm (3.8 L/min) flow rate.</li> <li>Faucet shall be metal construction, plated in standard Polished Chrome finish.</li> </ul>
<p><b>Options/ Modifications</b></p> <p><input type="checkbox"/> <b>05</b> 0.5 gpm (1.89 L/min) Flow Restrictor</p> <p><input type="checkbox"/> <b>STN</b> Satin Nickel Finish</p>	<p><b>Warranty</b></p> <p><b>Limited Lifetime</b> - to the original end purchaser in consumer/residential installations.</p> <p><b>10 Years</b> - for commercial/industrial installations. Refer to <a href="http://www.symmons.com/warranty">www.symmons.com/warranty</a> for complete warranty information.</p>
<p><b>Compliance</b></p> <p>- ASME® A112.18.1; CSA® B125.1.          - NSF/ANSI/CAN 61: Q&lt;1, NSF/ANSI 372.          - WaterSense® for 1.0 GPM Only.          - Lever handle and Push Pop meets ADA requirements for operation.</p> <div style="display: flex; justify-content: space-around; align-items: center;">    </div>	

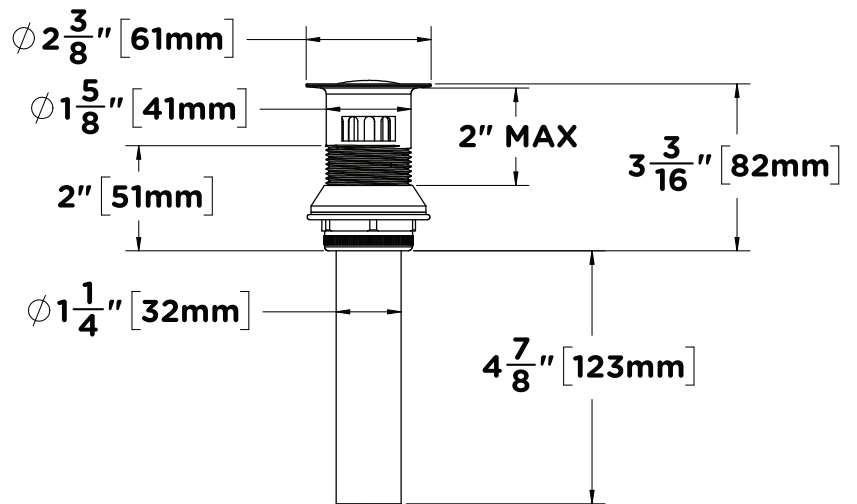
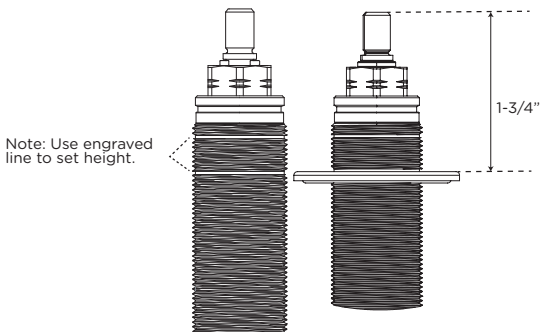
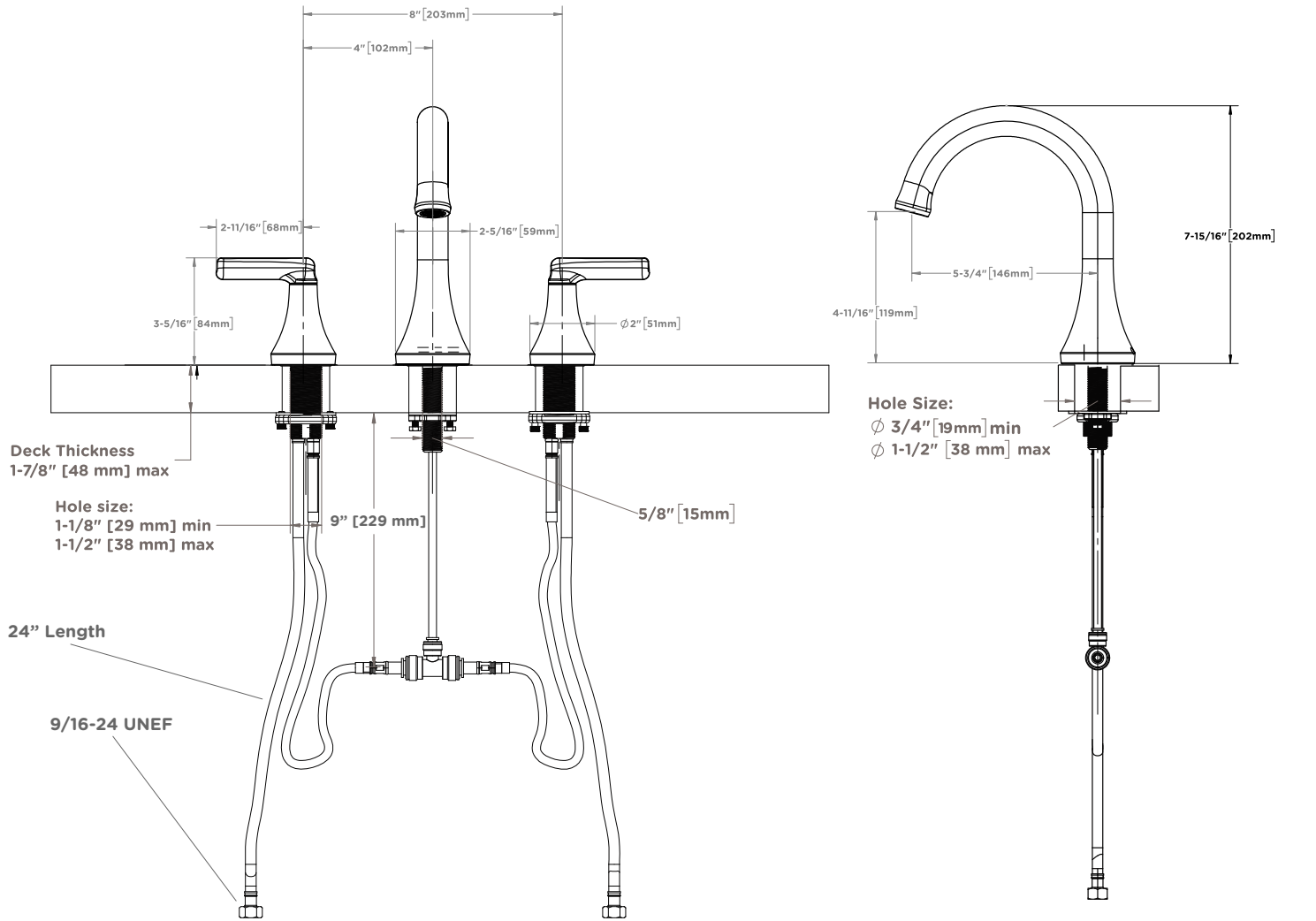
**SKU Builder**

Type	Series	Finish	PP	Flow Rate	Final SKU
SLW	5912	STN	PP	05	SLW5912STNPP05
SLW	5912		PP		SLW5912PP

**Architectural/ Engineering Specification**

Symmons \_\_\_\_\_ two handle widespread lavatory faucet Includes 8" to 16" mount configuration with quarter turn ceramic cartridges, 3/8" inlet connections, 24" braided supply hoses, 1.0 gpm (3.8 L/min) flow restrictor, and metal construction plated in polish chrome finish. 10 Year Commercial Warranty. ASME A112.18.1; CSA B125.1, NSF/ANSI/CAN 61: Q<1, NSF/ANSI 372, and WaterSense compliant. Lever handle and push pop meets ADA requirements for operation. Available options include: 05 = 0.5 gpm (1.89 L/min) Flow Restrictor, and STN = Satin Nickel Finish.

# Dimensions



**Note:**

- Flange to be set to 1-3/4"
- Dimensions subject to change without notice