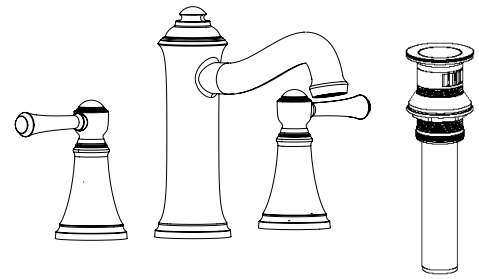






# Location:



## SLW5812PP Two Handle Widespread Lavatory Faucet Specification Submittal

<b>Model Numbers</b> <input type="checkbox"/> <b>SLW5812PP</b> Two Handle Widespread Lavatory Faucet	<b>Feature Highlights</b> <ul style="list-style-type: none"> <li>• 8" to 16" mount configuration</li> <li>• Quarter turn ceramic cartridges</li> <li>• 3/8" inlet connections</li> <li>• 24" Braided supply hoses</li> <li>• Metal drain assembly</li> <li>• Standard 1.0 gpm (3.8 L/min) flow rate</li> <li>• Faucet shall be metal construction, plated in standard polished chrome finish</li> </ul>
<b>Options/ Modifications</b> <ul style="list-style-type: none"> <li><input type="checkbox"/> <b>05</b> 0.5 gpm (1.89 L/min) flow rate restrictor</li> <li><input type="checkbox"/> <b>STN</b> Satin Nickle finish</li> <li><input type="checkbox"/> <b>MB</b> Matte Black finish</li> <li><input type="checkbox"/> <b>BBZ</b> Brushed Bronze finish</li> </ul>	<b>Warranty</b> <p><b>Limited Lifetime</b> - to the original end purchaser in consumer/residential installations.</p> <p><b>10 Years</b> - for commercial/industrial installations. Refer to <a href="http://www.symmons.com/warranty">www.symmons.com/warranty</a> for complete warranty information.</p> 
<b>Compliance</b> <ul style="list-style-type: none"> <li>- ASME A112.18.1;CSA B125.1</li> <li>- NSF/ANSI/CAN 61: Q&lt;1, NSF/ANSI 372</li> <li>- WaterSense for 1.0 GPM Only</li> <li>- Lever handle meets ADA requirements</li> <li>- Push Pop meets ADA requirements for operation</li> </ul>   	

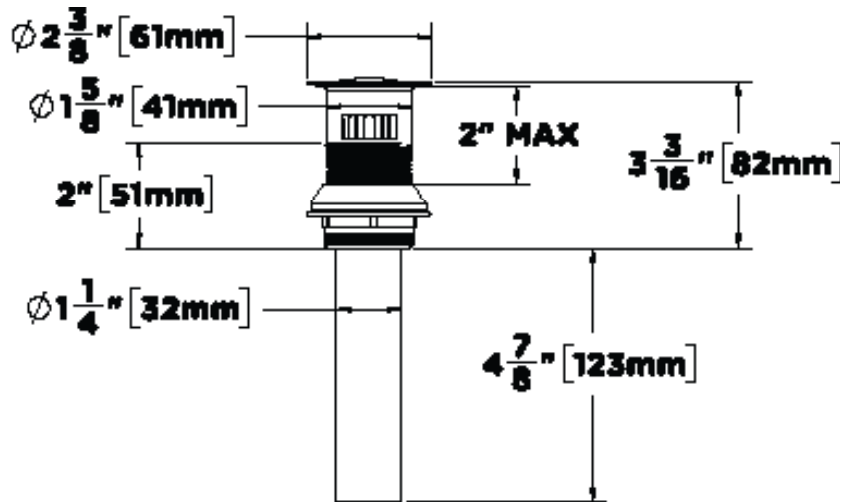
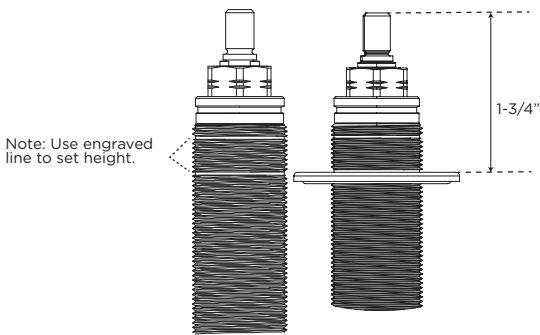
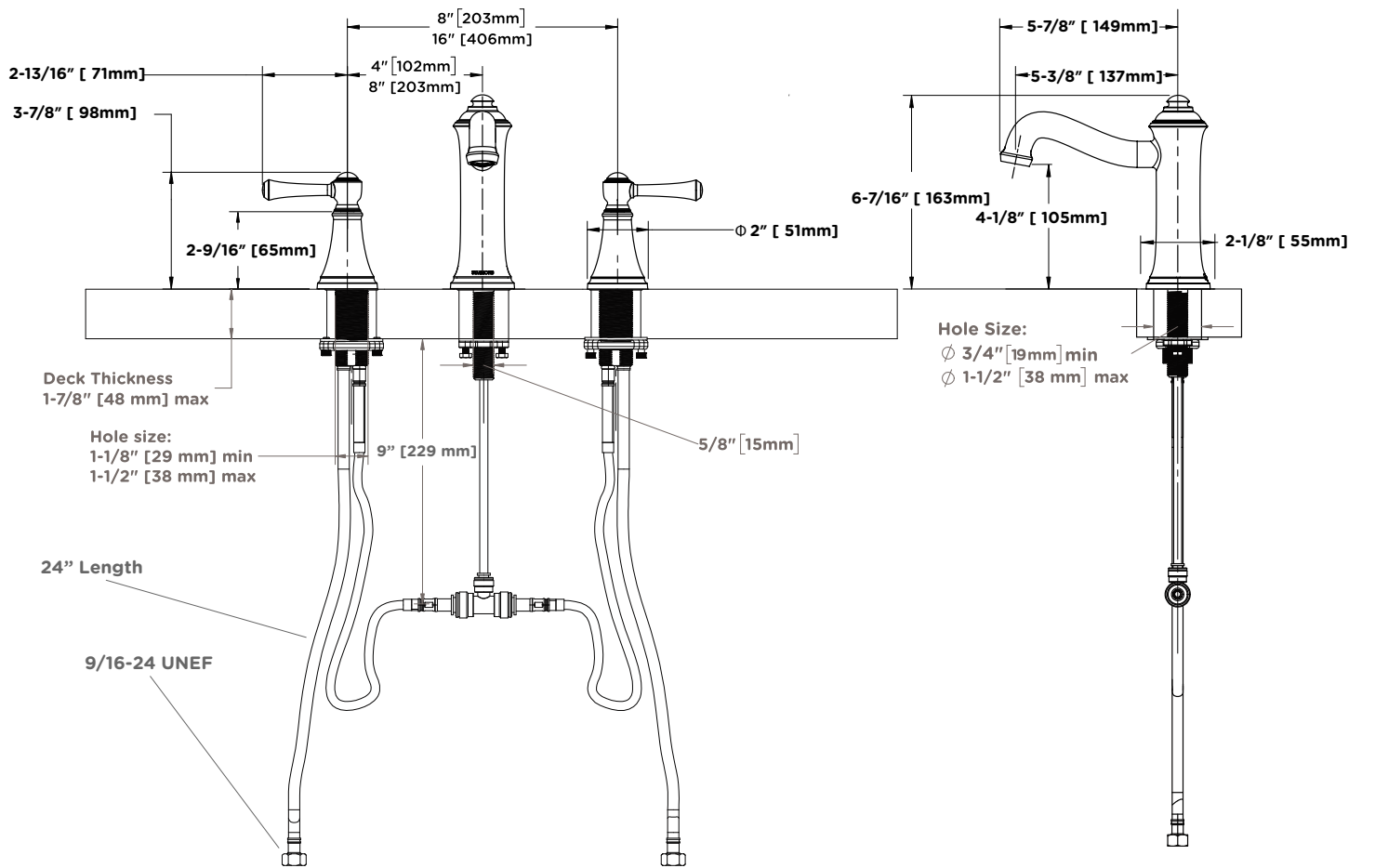
### SKU Builder

Type	Series	Finish	PP	Flow Rate	Final SKU
SLW	5812	STN	PP	05	SLW5812STNPP05
SLW	5812		PP		SLW5812PP

### Architectural/ Engineering Specification

Symmons \_\_\_\_\_ two handle widespread lavatory faucet Includes 8" to 16" mount configuration with quarter turn ceramic cartridges, 3/8" inlet connections, 24" braided supply hoses, 1.0 gpm (3.8 L/min) flow restrictor, and metal construction plated in polish chrome finish. "10 Year Commercial Warranty". ASME A112.18.1;CSA B125.1, NSF/ANSI/CAN 61: Q<1, NSF/ANSI 372, and WaterSense compliant. Lever handle meets ADA requirements and push pop meets ADA requirements for operation. Available options include: "05 - 0.5 gpm (1.89 L/min) Flow Restrictor", "STN - Satin Nickel Finish", and "MB - Matte Black Finish".

# Dimensions



**Note:**

- Flange to be set to  $1-3/4"$
- Dimensions subject to change without notice