

SLS5912PP Location:
 Single-Handle Lavatory Faucet
Specification Submittal

<p>Model Numbers</p> <p><input type="checkbox"/> SLS5912PP Single-Handle Lavatory Faucet with Push-Pop Metal Drain Assembly</p> <hr/> <p>Options/Modifications</p> <p><input type="checkbox"/> 05 0.5 gpm (1.9 L/min) flow restrictor</p> <p><input type="checkbox"/> STN Satin Nickel finish</p> <hr/> <p>Note: Append appropriate suffix to model number.</p> <p>Compliance</p> <p>-ASME A112.18.1/CSA B125.1. </p> <p>-NSF/ANSI/CAN 61: Q<1, NSF/ANSI 372. </p> <p>-WaterSense® 1.0gpm.</p> <p>-Lever handle meets ADA requirement for operation. </p>	<p>Feature Highlights</p> <ul style="list-style-type: none"> Single-hole mount configuration. Single lever handle operation. Ceramic disc control cartridge. 23" braided hose water supply connections. Standard 1.0gpm (3.8 L/min) flow rate. Includes aerator key tool Components made from metal and nonmetal materials plated in standard Polished Chrome finish. <hr/> <p>Warranty</p> <p>Limited Lifetime - for residential installations.</p> <p>10 Years - for commercial/industrial installations.</p> <p>Refer to www.symmons.com/warranty complete warranty information.</p> <div style="text-align: right;"> </div>
---	--

SKU Builder

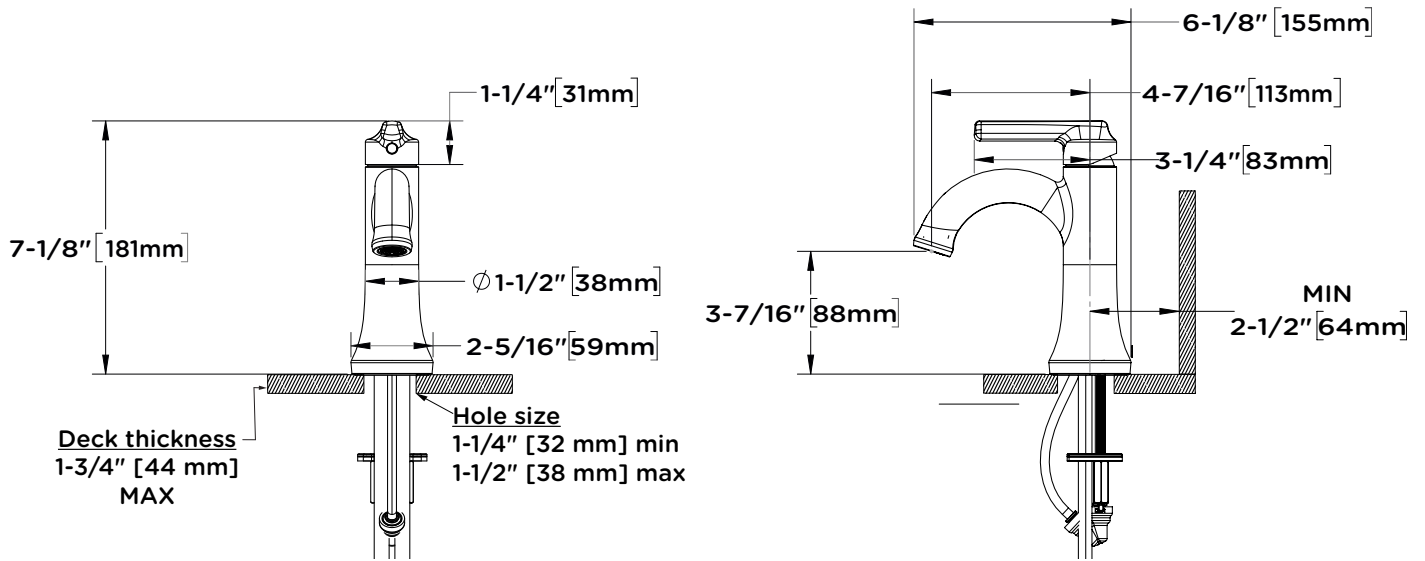
Series	Finish	PP (required)	Flow Rate	Final SKU
SLS5912	STN	PP	05	SLS5912STNPP05

Architectural/Engineering Specification

Symmons Birch® Single-Handle Lavatory Faucet _____ Includes single-hole mount configuration, single lever handle operation, ceramic disc control cartridge, 23" braided hose water supply connections, and standard 1.0gpm (3.8 L/min) flow rate. Components made from metal and nonmetal materials plated in standard Polished Chrome finish. 10-Year Commercial Warranty. ASME A112.18.1/CSA B125.1, NSF/ANSI/CAN 61: Q<1, NSF/ANSI 372, WaterSense® 1.0gpm compliant. Lever handle meets ADA requirements for operation. Available options: 05 - 0.5 gpm (1.9 L/min) flow restrictor, and STN - Satin Nickel finish.

SLS5912PP

Dimensions



Note: Dimensions subject to change without notice.

