

Location:

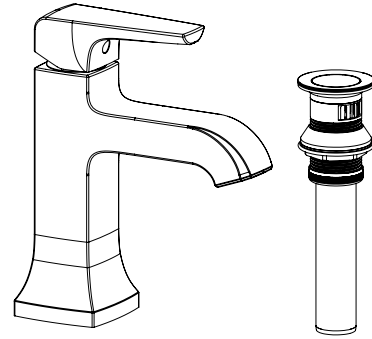


SYMMONS® Oak®

SLS5612PP

Single Handle Lavatory Faucet

Specification Submittal



Model Numbers

- SLS5612PP** Single Handle Lavatory Faucet with push-pop metal drain assembly

Options/ Modifications

- 05**  **0.5 gpm (1.9 L/min) flow restrictor**
- BBZ** **Brushed Bronze finish**
- MB** **Matte Black finish**
- STN** **Satin Nickel finish**

Note: Append appropriate suffix to model number.

Compliance

- ASME A112.18.1/CSA B125.1
- NSF/ANSI/CAN 61: Q<1, NSF/ANSI 372
- WaterSense 1.0gpm



Feature Highlights

- Single hole mount configuration
- Single lever cartridge with ceramic control components
- 23" braided hose water supply connections
- 7-1/16" height
- Standard 1.0gpm (3.8 L/min) flow rate
- Faucet shall be metal construction, plated in standard polished chrome finish

Warranty

Limited Lifetime - to the original end purchaser in consumer/residential installations.
10 Years - for commercial/industrial installations. Refer to www.symmons.com/warranty for complete warranty information.

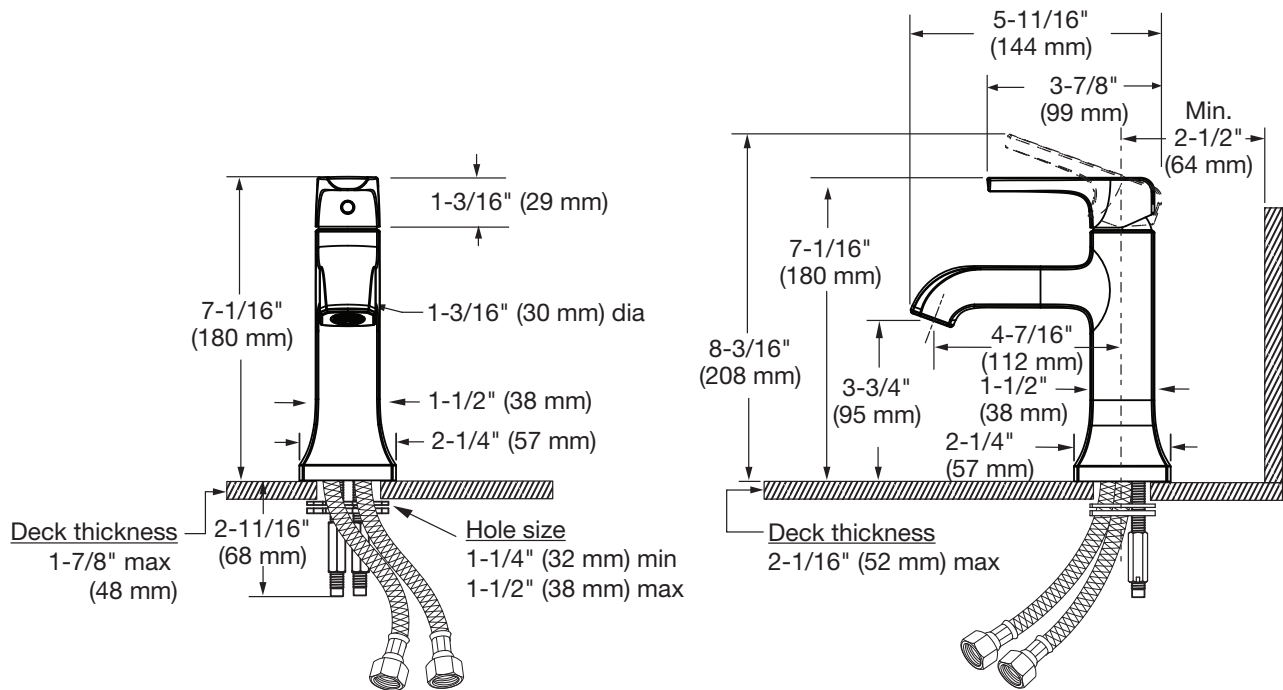


Architectural/ Engineering Specification

Symmons Oak® Single Handle Lavatory Faucet _____ Includes Single hole mount configuration, Single lever cartridge with ceramic control components, 23" braided hose water supply connections, 7-1/16" height, Standard 1.0gpm (3.8 L/min) flow rate, Faucet shall be metal construction, plated in standard polished chrome finish. 10 Year Commercial Warranty. ASME A112.18.1/CSA B125.1, NSF/ANSI/CAN 61: Q<1, NSF/ANSI 372, WaterSense 1.0gpm compliant. Available options: "05 - 0.5 gpm (1.9 L/min) flow restrictor", "BBZ - Brushed Bronze finish", "MB - Matte Black finish", "STN - Satin Nickel finish".

SLS5612PP

Dimensions



Note: Dimensions subject to change without notice.

