

S5991TRM
Shower Trim
Specification Submittal

Location:

Model Numbers

- S5991TRM**
Tub/Shower System Trim

Valve Options:

- S261 Series Temptrol Shower Valve with TRM modifier
- S161 Series Temptrol Shower Valve requires TC modifiers

Compliance

-ASME A112.18.1/CSA B125.1

-WaterSense 1.5 gpm (5.7 L/min) 2.0 gpm (7.6 L/min)



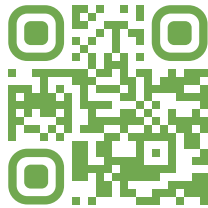
-Lever handle meets ADA requirements

Feature Highlights


- Birch® Shower Trim
- Requires Temptrol® Pressure Balancing Shower Valve
- Integral volume control
- Metal lever handle
- 7-Mode, NPSO Showerhead
- 2.0 gpm (7.6 L/min) flow restrictor
- Components made from metal and nonmetal materials, plated in standard polished chrome finish
- Available with TA-10 flow control spindle and T-12A cap assembly for Temptrol valve bodies installed with Test Cap (order p/n S5991TRMTC)

Warranty

Limited Lifetime - to the original end purchaser in consumer/residential installations.
10 Years - for commercial/industrial installations. Refer to www.symmons.com/warranty for complete warranty information.



Options/Modifications

- 15**  1.5 gpm (5.7 L/min) flow restrictor
- L1** Less showerhead
- L7** Less handle
- TC** Test Cap Trim (includes TA-10&T-12A) used with 16 series Temptrol Valve
- STN** Satin Nickel finish

Note: Append appropriate suffix to model number.

SKU Builder

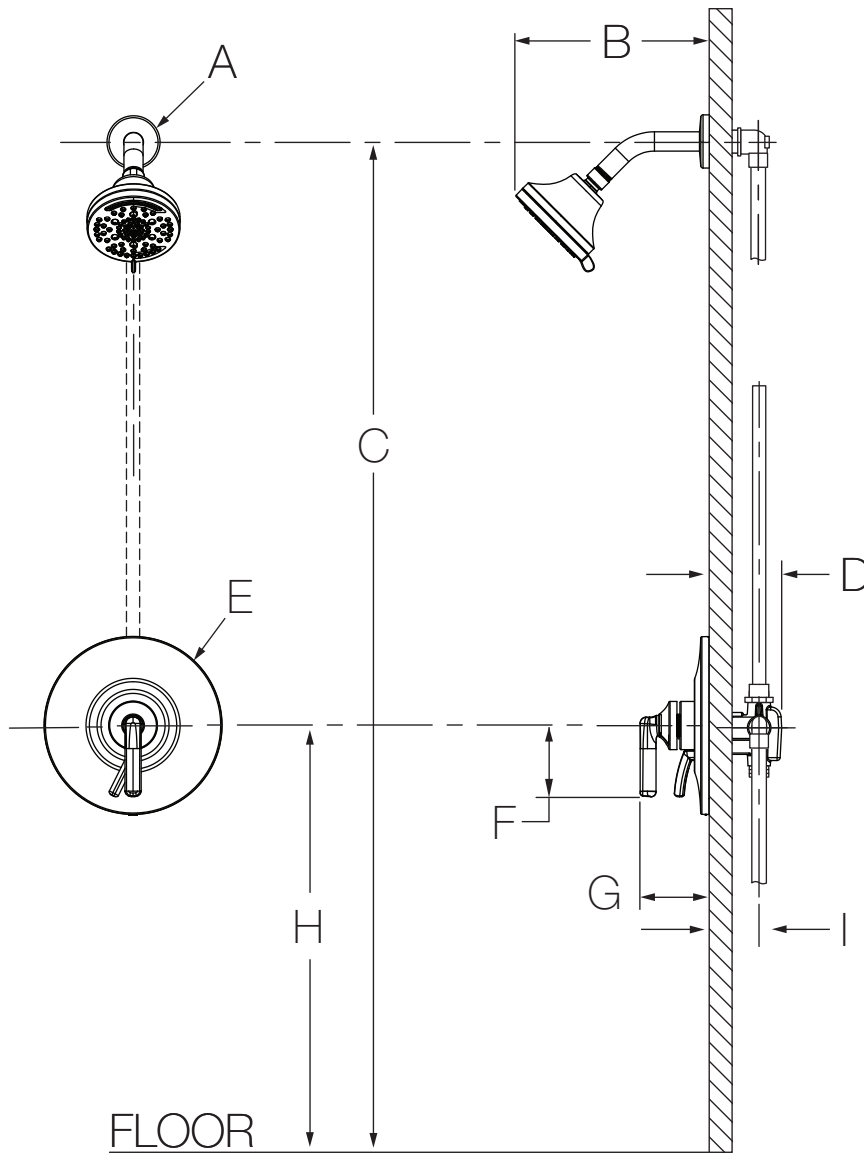
Series	Finish	Modifier	Flow Rate	TRM (required)	TC	Final SKU
S5991	STN	L1		TRM	TC	S5991STNL1TRMTC
S5991	STN			TRM		S5991STNTRM

Note: No more than two modifiers (L1-L7) and modifier order will follow numerical order.

Architectural/Engineering Specification

Symmons Birch® Shower Trim _____ Includes Birch® Shower Trim, Requires Temptrol® Pressure Balancing Shower Valve, Integral volume control, Metal lever handle, 7-Mode, NPSO Showerhead, 2.0 gpm (7.6 L/min) flow restrictor, Components made from metal and nonmetal materials, plated in standard polished chrome finish, Available with TA-10 flow control spindle and T-12A cap assembly for Temptrol valve bodies installed with Test Cap (order p/n S5991TRMTC). 10 Year Commercial Warranty. ASME A112.18.1/CSA B125.1, WaterSense 1.5 gpm (5.7 L/min), 2.0 gpm (7.6 L/min) compliant. Lever handle meets ADA requirements. Available options: "15 - 1.5 gpm (5.7 L/min) flow restrictor", "L1 - Less showerhead", "L7 - Less handle", "TC - Test Cap Trim", "STN - Satin Nickel finish".

Dimensions



Measurements	
A	Ø 2-1/4", 57 mm
B	8-3/16", 208 mm
C	Ref. 77", 1956 mm
D	3-1/2", 89 mm
E	Ø 7-1/2", 190 mm
F	3", 76 mm
G	2-7/8", 74 mm
H	Ref. 42", mm
I	Rough-in 2-3/8" ± 1/2", 60 mm ± 13 mm

Notes:

- 1) Valve body and piping not included and shown as reference only.
- 2) Plaster shield (p/n T-176) for dry wall, plaster or other type walls 1/2" or greater.
- 3) All dimensions measured from nominal rough-in (see I as reference).
- 4) Dimensions subject to change without notice.