


S5990TRM
Shower Valve Trim
Specification Submittal

Location:

<p>Model Numbers</p> <p><input type="checkbox"/> S5990TRM Tub/Shower System Trim</p> <p>Valve Options: -S261/S262 Series Temptrol Shower Valve with TRM modifier -S161/S162 Series Temptrol Shower Value requires TC modifiers</p>	<p>Feature Highlights</p> <ul style="list-style-type: none"> • Birch® Shower Valve Trim • Requires Temptrol® Pressure Balancing Shower Valve • Integral volume control • Metal lever handle • Showerhead not included • Tub spout not included • Components made from metal and nonmetal materials, plated in standard polished chrome finish • Available with TA-10 flow control spindle and T-12A cap assembly for Temptrol valve bodies installed with Test Cap (order p/n S5990TRMTC)
<p>Compliance</p> <p>-ASME A112.18.1/CSA B125.1 -Lever handle meets ADA requirements</p>	<p>Options/Modifications</p> <p><input type="checkbox"/> REB Rebuild trim kit, includes TA-10 and TA-4</p> <p><input type="checkbox"/> STN Satin Nickel finish</p> <p><input type="checkbox"/> L7 Less handle</p> <p><input type="checkbox"/> TC Test Cap Trim (includes TA-10&T-12A) <i>used with 16 series Temptrol Valve</i></p>
<p>Warranty</p> <p>Limited Lifetime - to the original end purchaser in consumer/residential installations. 10 Years - for commercial/industrial installations. Refer to www.symmons.com/warranty for complete warranty information.</p> 	<p>Note: Append appropriate suffix to model number.</p>

SKU Builder

Series	Finish	Modifier	Flow Rate	TRM (required)	TC	Final SKU
S5990	STN	L7		TRM	TC	S5990STNL7TRMTC
S5990	STN			TRM		S5990STNTRM

Note: No more than two modifiers (L1-L7) and modifier order will follow numerical order.

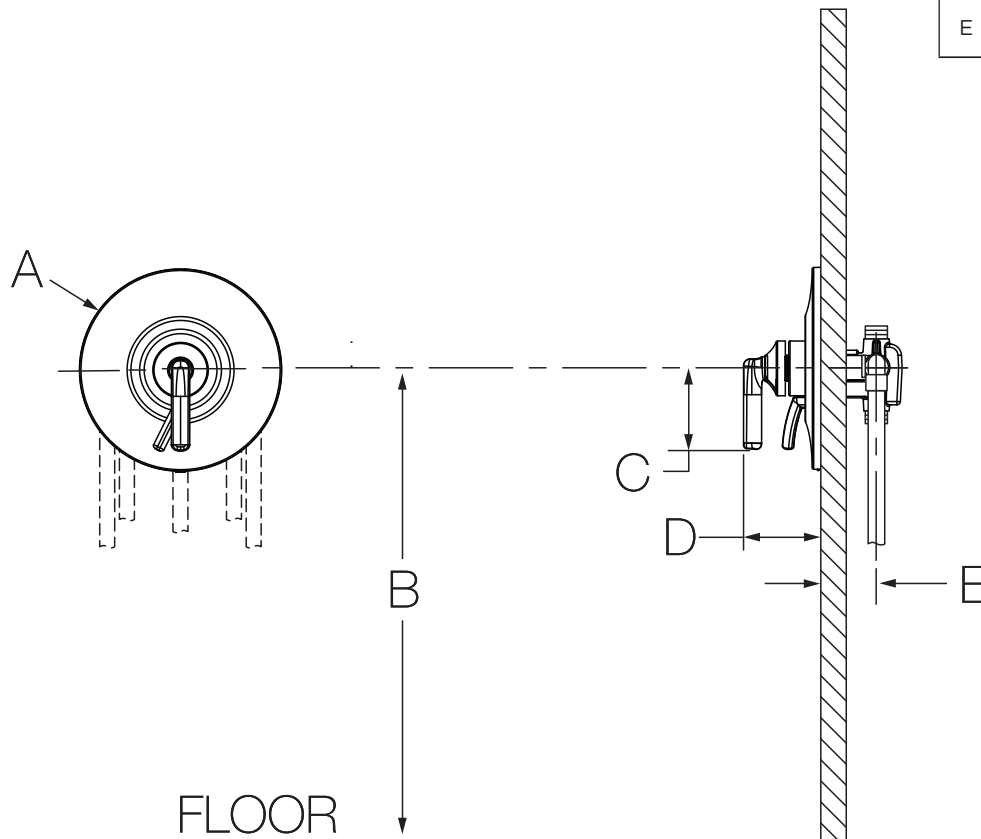
Architectural/ Engineering Specification

Symmons _____ Shower Valve Trim. Includes Birch® shower valve trim, Requires Temptrol® Pressure Balancing Shower Valve, Integral volume control, metal lever handle, Components made from metal and nonmetal materials, plated in standard polished chrome finish, Available with TA-10 flow control spindle and T-12A cap assembly for Temptrol valve bodies installed with Test Cap (order p/n S5990TRMTC). 10 Year Commercial Warranty. ASME A112.18.2/CSA B125.1 compliant. Lever handle meets ADA requirements. Available options: "REB -Rebuild trim kit", "STN - Satin Nickel finish" and "L7 - Less handle", "TC - Test Cap Trim".

S5990TRM

Dimensions

Measurements	
A	Ø 7-1/2", 191 mm
B	Ref. 42", 1067 mm
C	3", 76 mm
D	2-7/8", 74 mm
E	Rough-in 2-3/8" ± 1/2", 60 mm ± 13 mm



Notes:

- 1) Valve body and piping not included and shown as reference only.
- 2) Plaster shield (p/n T-176) for dry wall, plaster or other type walls 1/2" or greater.
- 3) All dimensions measured from nominal rough-in (see E as reference).
- 4) Dimensions subject to change without notice.