



S5891TRM  
Shower Trim  
**Specification Submittal**

Location:

**Model Numbers**

- S5891TRM**  
Tub/Shower Trim
- Valve Options:**
  - S261 Series Temptrol Shower Valve with TRM modifier
  - S161 Series Temptrol SHower Valve requires TC modifier

**Feature Highlights**

- Braston® Shower Trim.
- Requires Temptrol® Pressure Balancing Shower Valve.
- Integral volume control.
- Metal lever handle.
- 7-mode showerhead with NPSO.
- 2.0 gpm (7.6 L/min) flow restrictor.
- Components made from metal and nonmetal materials, plated in standard Polished Chrome finish

**Compliance**

- ASME A112.18.1/CSA B125.1
- WaterSense 1.5 gpm (5.7 L/min) 2.0 gpm (7.6 L/min)
- Lever handle meets ADA requirements for operation.



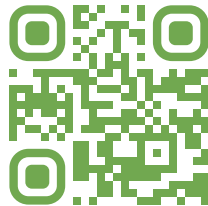
**Options/Modifications**

- 15** **CG** 1.5 gpm (5.7 L/min) flow restrictor
- L1** Less showerhead
- L7** Less handle
- TC** Test Cap Trim (includes TA-10&T-12A) used with S161 Series Temptrol Valve
- BBZ** Brushed Bronze finish
- MB** Matte Black finish
- STN** Satin Nickel finish

**Note:** Append appropriate suffix to model number.

**Warranty**

**Limited Lifetime** - to the original end purchaser in consumer/residential installations.  
**10 Years** - for commercial/industrial installations. Refer to [www.symmons.com/warranty](http://www.symmons.com/warranty) for complete warranty information.



**SKU Builder**

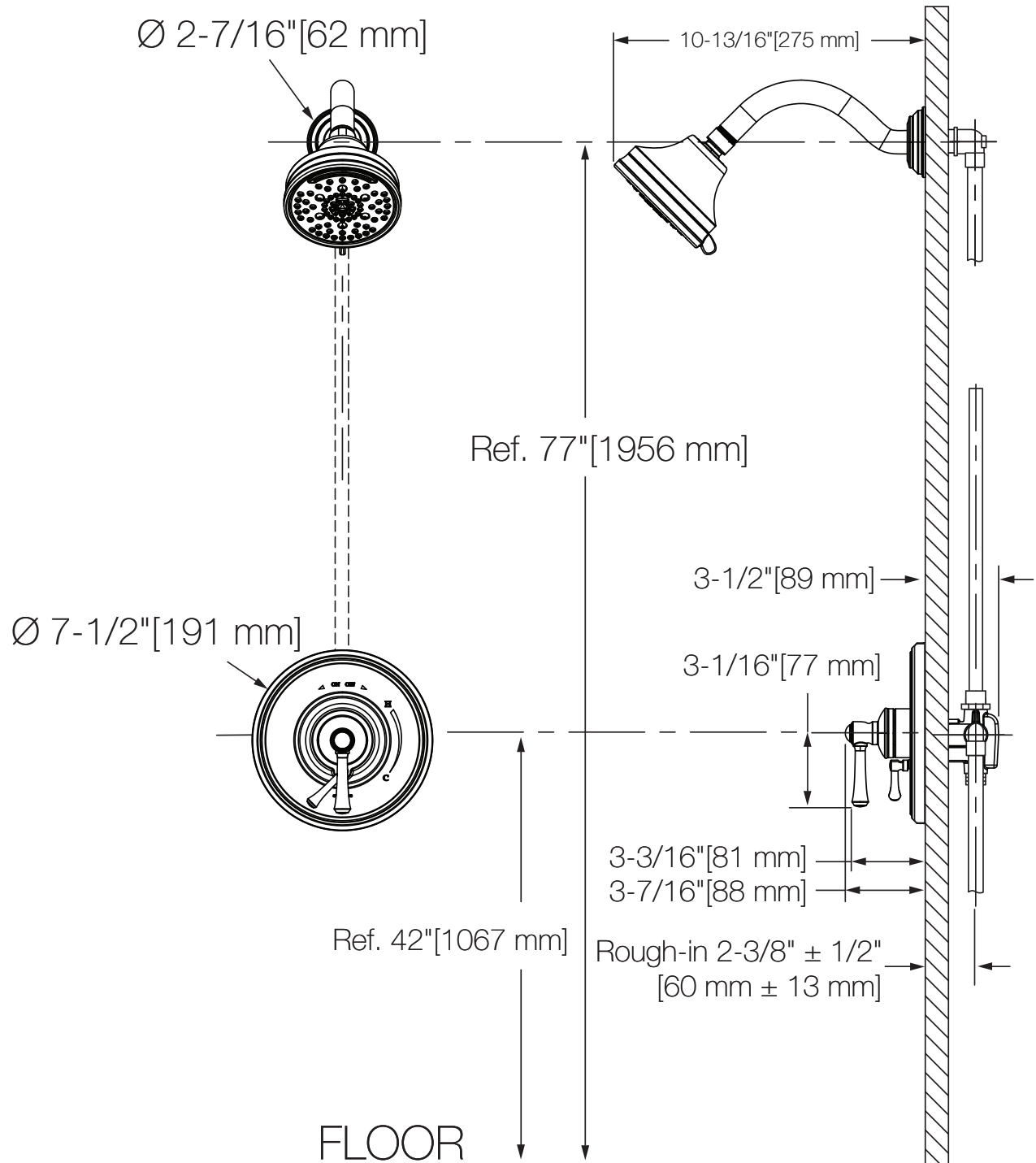
Series	Finish	Modifier	Flow Rate	TRM (required)	TC	Final SKU
S5891	MB	L1		TRM	TC	S5891MBL1TRMTC
S5891	MB			TRM		S5891MBTRM

**Note:** No more than two modifiers (L1-L7) permitted when ordering. Modifiers will list in numerical order.

**Architectural/Engineering Specification**

Symmons Braston® Shower Trim \_\_\_\_\_ Includes Braston® Shower Trim powered by Temptrol® Pressure Balancing Shower Valve, integral volume control. Features include metal lever handle, 7-mode showerhead with NPSO, 2.0 gpm (7.6 L/min) flow restrictor. Components made from metal and nonmetal materials, plated in standard Polished Chrome finish. 10 Year Commercial Warranty. ASME A112.18.1/CSA B125.1, WaterSense 1.5 gpm (5.7 L/min), 2.0 gpm (7.6 L/min) compliant. Lever handle meets ADA requirements for operation. Available options: 15 = 1.5 gpm (5.7 L/min) flow restrictor, L1 = Less showerhead, L7 = Less handle, TC = Test Cap Trim, BBZ = Brushed Bronze finish, MB = Matte Black finish, and STN = Satin Nickel finish.

## Dimensions



### Notes:

- 1) Valve body and piping not included and shown as reference only.
- 2) Plaster shield (p/n T-176) for dry wall, plaster or other type walls 1/2" or greater.
- 3) All dimensions measured from nominal rough-in (see 2-3/8" ± 1/2"[60 mm ± 13 mm] as reference).
- 4) Dimensions subject to change without notice.