






S5692TRM
Tub/Shower System

Location:

Specification Submittal

<p>Model Numbers</p> <p><input type="checkbox"/> S5692TRM Tub/Shower Trim</p> <p>Valve Options: -S262 series Temptrol® VersaFlex™ Shower Valve with TRM modifier -S162 series Temptrol shower valve requires TC modifier</p>	<p>Feature Highlights</p> <ul style="list-style-type: none"> • Oak Tub/Shower Trim. • Requires Temptrol® Pressure Balancing Tub/Shower Valve. • Integral diverter control. • Metal lever handle. • 7" non-diverter tub spout. • Single-Mode HydroMersion™ showerhead. • 2.0 gpm (9.5 L/min) flow restrictor. • Components made from metal and nonmetal materials, plated in standard Polished Chrome finish.
<p>Compliance</p> <ul style="list-style-type: none"> • ASME A112.18.1/CSA B125.1 • WaterSense 1.5 gpm (5.7 L/min) 2.0 gpm (7.6 L/min) • Lever handle meets ADA requirements for operation.   	<p>Modifications</p> <ul style="list-style-type: none"> <input type="checkbox"/> 15  1.5 gpm (5.7 L/min) flow restrictor <input type="checkbox"/> L1 Less showerhead <input type="checkbox"/> L4 Less head, arm and flange <input type="checkbox"/> L7 Less handle <input type="checkbox"/> TC Test Cap Trim (includes TA-10&T-12A) used with S162 series Temptrol Valve <input type="checkbox"/> BBZ Brushed Bronze finish <input type="checkbox"/> MB Matte Black finish <input type="checkbox"/> STN Satin Nickel finish
<p>Warranty</p> <p>Limited Lifetime - to the original end purchaser in consumer/residential installations. 10 Years - for commercial/industrial installations. Refer to www.symmons.com/warranty for complete warranty information.</p> 	

SKU Builder

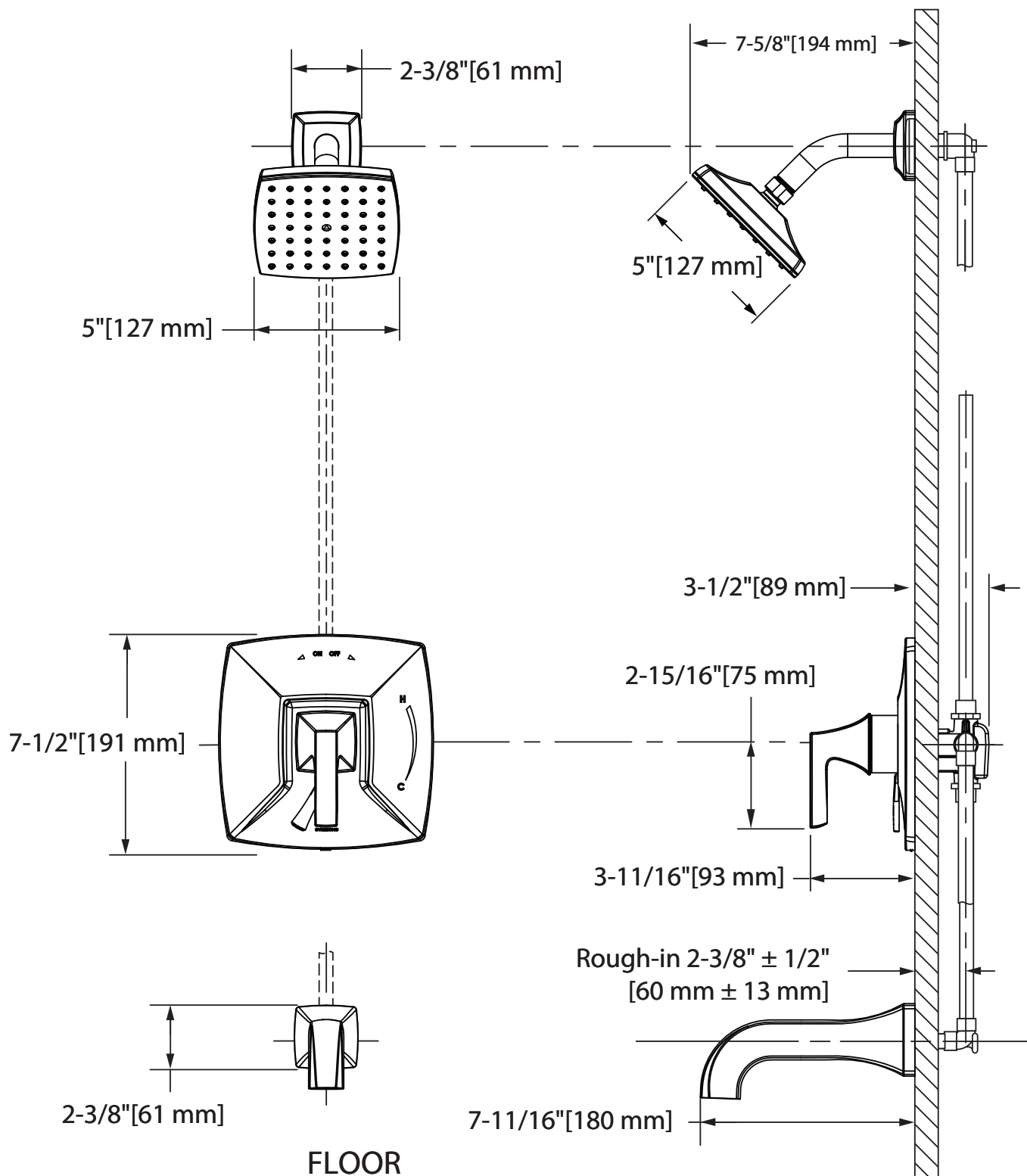
Series	Finish	Modifier	Flow Rate	Trim (required)	Test Cap	Final SKU
S5692	MB	L1		TRM	TC	S5692MBL1TRMTC
S5692	MB			TRM		S5692MBTRM

Note: No more than two modifiers (L1-L7) permitted when ordering. Modifiers will list in numerical order.

Architectural/Engineering Specification

Symmons Oak Tub and Shower Trim _____ Includes Oak Tub and Shower Trim powered by Temptrol® Pressure Balancing Tub/Shower Valve, integral diverter control, metal lever handle, 7" non-diverter tub spout, single-mode HydroMersion showerhead, 2.0 gpm (9.5 L/min) flow restrictor. Components made from metal and nonmetal materials, plated in standard Polished Chrome finish. 10 Year Commercial Warranty. ASME A112.18.1/CSA B125.1 and WaterSense 1.5/2.0 complaint. Lever handle meets ADA requirements for operation. Available options: 15 = 1.5 gpm (5.7 L/min) flow restrictor, TRM = Trim only, valve not included, L1 = Less showerhead, L4 = Less head, arm and flange, L7 = Less handle, TC = Test Cap Trim, BBZ = Brushed Bronze finish, MB = Matte Black finish, STN = Satin Nickel finish.

Dimensions



Notes:

- 1) All dimensions measured from nominal rough-in (see $2\text{-}\frac{3}{8}\text{''} \pm \frac{1}{2}\text{''}$ [60 mm \pm 13 mm] as reference).
- 2) Dimensions are subject to change without notice.