




S5690TRM  
Shower Valve Trim  
**Specification Submittal**

Location:

<p><b>Model Numbers</b></p> <p><input type="checkbox"/> <b>S5690TRM</b> Tub/Shower Trim</p> <p><b>Valve Options:</b> -S261/S262 Series Temptrol Shower Valve with TRM modifier -S161/S162 Series Temptrol Shower Value requires TC modifiers</p>	<p><b>Feature Highlights</b></p> <ul style="list-style-type: none"> <li>• Oak Shower Valve Trim.</li> <li>• Requires Temptrol® Pressure Balancing Shower Valve.</li> <li>• Integral volume control.</li> <li>• Metal lever handle.</li> <li>• Components are made from metal and nonmetal materials, plated in standard Polished Chrome finish.</li> </ul>
<p><b>Options/Modifications</b></p> <p><input type="checkbox"/> <b>REB</b> Rebuild Trim Kit, includes TA-10 and TA-4</p> <p><input type="checkbox"/> <b>BBZ</b> Brushed Bronze finish</p> <p><input type="checkbox"/> <b>MB</b> Matte Black finish</p> <p><input type="checkbox"/> <b>STN</b> Satin Nickel finish</p> <p><input type="checkbox"/> <b>L7</b> Less handle</p> <p><input type="checkbox"/> <b>TC</b> Test Cap Trim (includes TA-10&amp;T-12A) used with S161/S162 series Temptrol Valve</p>	<p><b>Compliance</b></p> <ul style="list-style-type: none"> <li>• ASME A112.18.1/CSA B125.1.</li> <li>• Lever handle meets ADA requirements for operation.</li> </ul> <p> </p> <p><b>Warranty</b></p> <p><b>Limited Lifetime</b> - for residential installations. <b>10 Years</b> - for commercial/industrial installations. Refer to <a href="http://www.symmons.com/warranty">www.symmons.com/warranty</a> for complete warranty information.</p> 

**SKU Builder**

Series	Finish	Modifier	Flow Rate	TRM (required)	TC	Final SKU
S5690	MB	L7		TRM	TC	S5690MBL7TRMTC
S5690	MB			TRM		S5690MBTRM

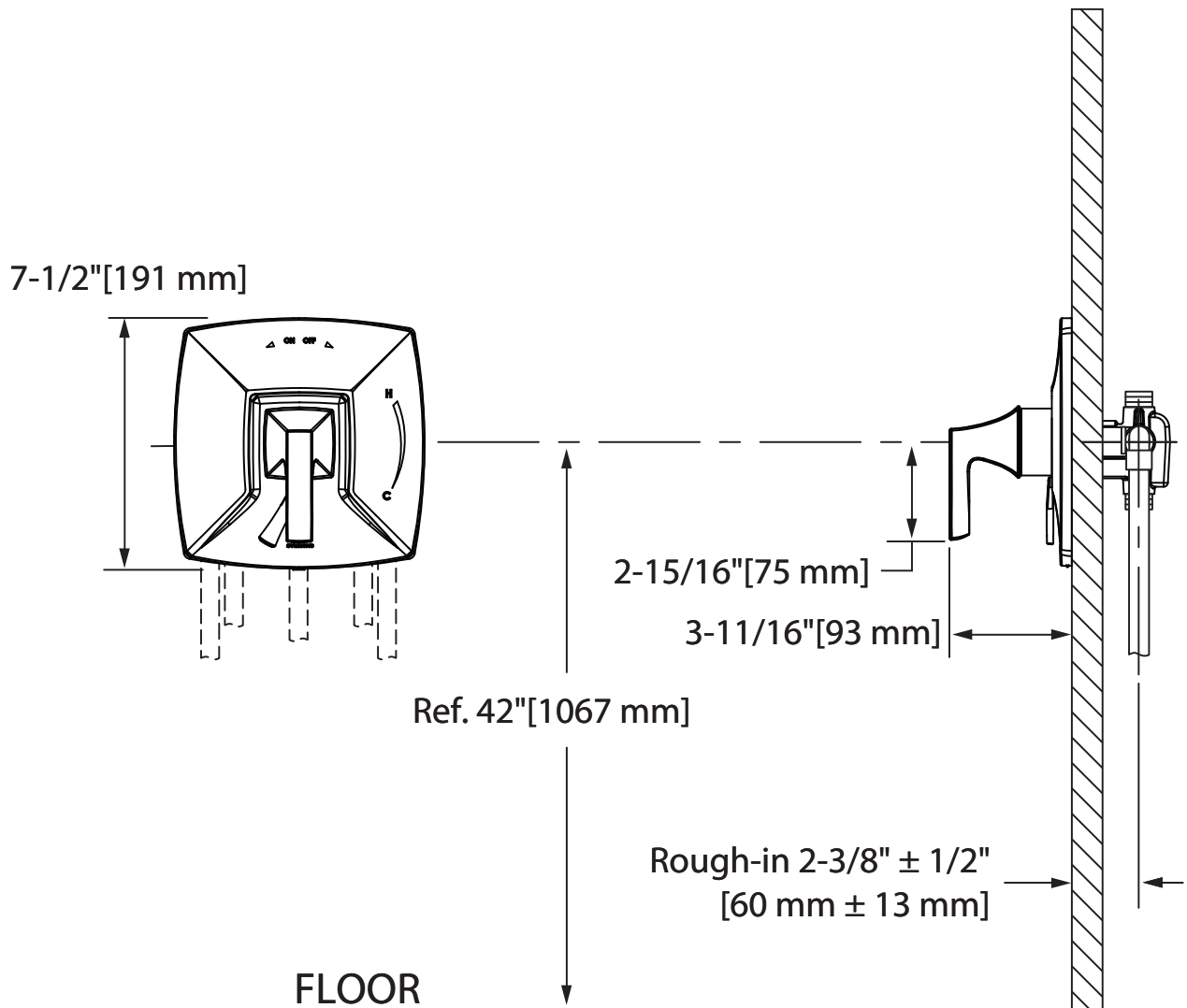
**Note:** No more than two modifiers (L1-L7) permitted when ordering. Modifiers will list in numerical order.

**Architectural/ Engineering Specification**

Symmons Oak Shower Valve Trim \_\_\_\_\_ Includes Oak shower valve Trim for Temptrol® Pressure Balancing Shower Valve, integral volume control, and metal lever handle. Components are made from metal and nonmetal materials, plated in standard Polished Chrome finish. 10 Year Commercial Warranty. ASME A112.18.2/CSA B125.1 compliant. Lever handle meets ADA requirements for operation. Available options: REB = Rebuild Trim Kit, BBZ = Brushed Bronze finish, MB = Matte Black finish, STN = Satin Nickel finish., L7 = Less handle and TC = Test Cap Trim (includes TA-10&T-12A).

S5690TRM

## Dimensions



### Notes:

- 1) Valve body and piping not included and shown as reference only.
- 2) Plaster shield (p/n T-176) for dry wall, plaster or other type walls 1/2" or greater.
- 3) All dimensions measured from nominal rough-in (see Rough-in 2-3/8" ± 1/2" [60 mm ± 13 mm] as reference).
- 4) Dimensions subject to change without notice.