

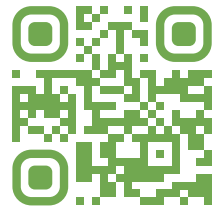


5995TRM
Shower/Hand Shower Trim
Specification Submittal

Location:

<p>Model Numbers</p> <p><input type="checkbox"/> 5995TRM Shower/Hand Shower Trim, Temptrol Pressure Balancing Shower Valve ordered separately</p> <p>Valve Options: -261 Series Temptrol Shower Valve with TRM modifier -161 Series Temptrol Shower Valve requires TC modifier -2DIVBODYSRT Diverter Valve</p>	<p>Feature Highlights</p> <ul style="list-style-type: none"> • Birch® Shower/Hand Shower Trim. • Requires Temptrol® Pressure Balancing Shower Valve. • Requires Symmons Dual Outlet Diverter Valve. • Metal lever handles. • 30" slide bar for hand shower wand. • Dual checks for backflow protection. • 60" flexible metal hose. • Single-mode HydroMersion™ hand shower with Non-Positive Shutoff (NPSO). • Single-mode HydroMersion showerhead. • Standard flow rate, 2.0 gpm (7.6 L/min). • Components made from metal and nonmetal materials, plated in standard Polished Chrome finish
<p>Compliance</p> <p>-ASME A112.18.1/CSA B125.1. -WaterSense 1.5 gpm (5.7 L/min) 2.0 gpm (7.6 L/min). -Lever handle meets ADA requirements for operation.</p> 	<p>Modifications</p> <ul style="list-style-type: none"> <input type="checkbox"/> 15  1.5 gpm (5.7 L/min) flow restrictor <input type="checkbox"/> L2 Less handshower <input type="checkbox"/> L7 Less handle <input type="checkbox"/> STN Satin Nickel finish <input type="checkbox"/> TC Test Cap Trim (includes TA-10&T-12A) used with 16 series Temptrol Valve <p>Note: Append appropriate suffix to model number.</p>
<p>Warranty</p> <p>Limited Lifetime - for residential installations. 10 Years - for commercial/industrial installations. Refer to www.symmons.com/warranty for complete warranty information.</p> 	

SKU Builder

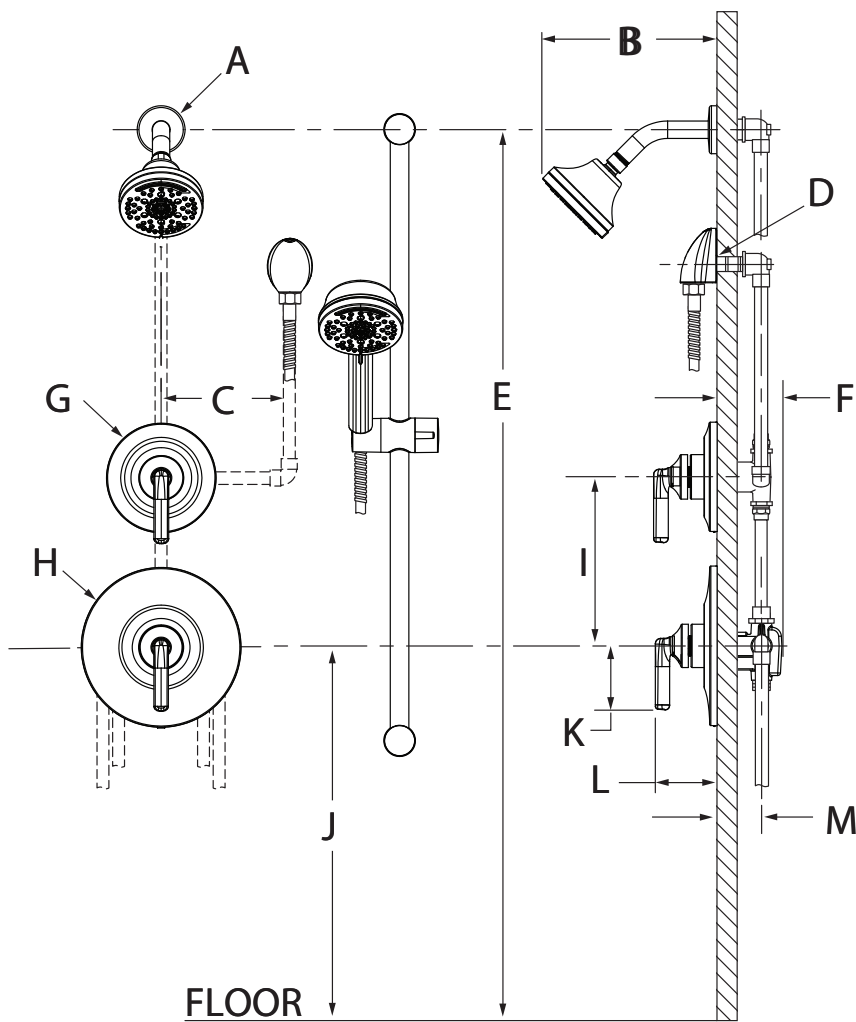
Series	Finish	Modifier	Flow Rate	Trim (required)	Test Cap	Final SKU
5995	STN	L2		TRM	TC	5995STN2TRMTC
5995	STN			TRM		5995STNTRM

Note: No more than two modifiers (L1-L7) and modifier order will follow numerical order.

Architectural/Engineering Specification

Symmons Birch® Shower/Hand Shower Trim _____ Includes Birch® Shower/Hand Shower Trim, Requires Temptrol® Pressure Balancing Shower Valve, Requires Symmons Dual Outlet Diverter Valve, Metal lever handles, 30" slide bar for hand shower wand, Dual checks for backflow protection, 60" flexible metal hose, single-mode HydroMersion NSPO hand shower wand, single-mode HydroMersion showerhead, standard flow rate, 2.0 gpm (7.6 L/min), components made from metal and nonmetal materials, plated in standard Polished Chrome finish. 10 Year Commercial Warranty. ASME A112.18.1/CSA B125.1 and WaterSense 1.5/2.0 complaint, Lever handle meets ADA requirements. Available options: 15 = 1.5 gpm (5.7 L/min) flow restrictor, L2 = Less handshower, L7 = Less handle, STN = Satin Nickel finish, TC = Test Cap Trim.

Dimensions



Measurements	
A	Ø 2-1/4", 57 mm
B	8-3/16", 208 mm
C	6", 152 mm
D	Male 1/2-14 NPT thread must be recessed 1/4" (6 mm) from finished wall
E	Ref. 77", 1956 mm
F	3-1/2", 89 mm
G	Ø 5", 127 mm
H	Ø 7-1/2", 191 mm
I	Ref. 10", 254 mm
J	Ref. 42", 1067 mm
K	3", 76 mm
L	2-7/8", 74 mm
M	Rough-in 2-3/8" ± 1/2", 60 mm ± 13 mm

Notes:

- 1) Valve body and piping not included and shown as reference only.
- 2) Plaster shield (p/n T-176) for dry wall, plaster or other type walls 1/2" or greater.
- 3) All dimensions measured from nominal rough-in (see M as reference).
- 4) Dimensions subject to change without notice.