

5992TRM

Location:

Tub/Shower Trim

Specification Submittal

Model Numbers

5992TRM
Tub/Shower Trim

Valve Options:

- 262 Series Temptrol Shower Valve with TRM modifiers
- 162 Series Temptrol Shower Valve requires TC modifier

Compliance

- ASME A112.18.1/CSA B125.1.
- WaterSense 1.5 gpm (5.7 L/min) 2.0 gpm (7.6 L/min).
- Lever handle meets ADA requirements for operation.



Warranty

Limited Lifetime - to the original end purchaser in consumer/residential installations.
10 Years - for commercial/industrial installations. Refer to www.symmons.com/warranty for complete warranty information.



Feature Highlights

- Tub/shower trim powered by the Temptrol® Pressure Balancing Valve.
- Features adjustable stop screw to limit handle turn.
- Diverter tub spout.
- Single-mode showerhead.
- Standard 2.0 gpm (7.6 L/min) flow restrictor.
- Components made from metal and nonmetal materials, plated in standard Polished Chrome finish.
- Available with TA-10 flow control spindle and T-12A cap assembly for Temptrol valve bodies installed with Test Cap (order p/n 5992TRMTC).

Modifications

- 15** 1.5 gpm (5.7 L/min) flow restrictor
- L1** Less showerhead
- L4** Less head, arm and flange
- L7** Less handle
- TC** Test Cap Trim (includes TA-10&T-12A) used with 16 Series Temptrol Valve
- STN** Satin Nickel finish

Note: Append appropriate suffix to model number.

SKU Builder

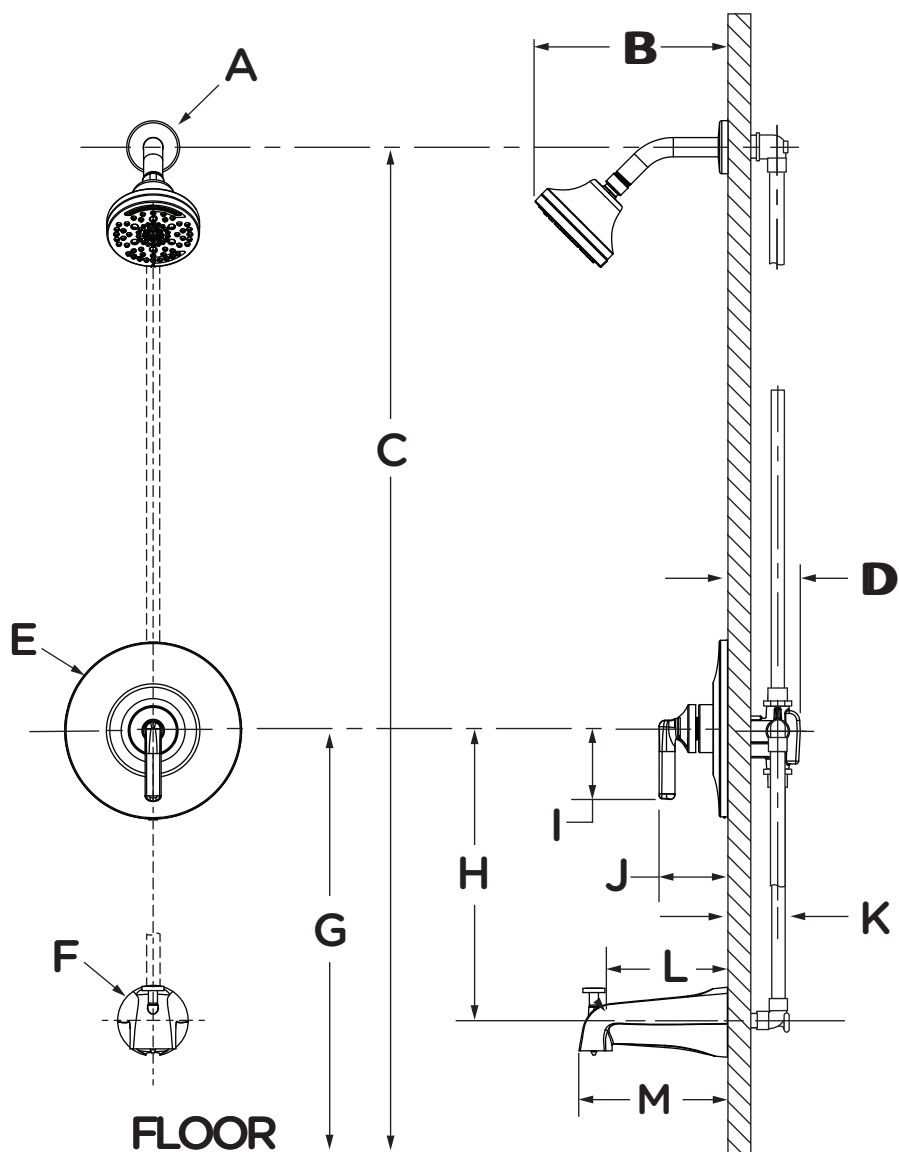
Series	Finish	Modifier	Flow Rate	Trim (required)	Test Cap	Final SKU
5992	STN	L1		TRM	TC	5992STNL1TRMTC
5992	STN			TRM		5992STNTRM

Note: No more than two modifiers (L1-L7) permitted when ordering. Modifiers will list in numerical order.

Architectural/Engineering Specification

Symmons Birch® Tub and Shower Trim _____ Includes Tub and shower system powered by the Temptrol® Pressure Balancing valve, Features adjustable stop screw to limit handle turn, diverter tub spout, single-mode showerhead, standard 2.0 gpm (7.6 L/min) flow restrictor. Components made from metal and nonmetal materials, plated in standard Polished Chrome finish. Available with TA-10 flow control spindle and T-12A cap assembly for Temptrol valve bodies installed with Test Cap (order p/n 5992TRMTC). 10 Year Commercial Warranty. ASME A112.18.1/CSA B125.1 and WaterSense 1.5/2.0 complaint. Lever handle meets ADA requirements for operation. Available options: 15 = 1.5 gpm (5.7 L/min) flow restrictor, TRM = Trim only, valve not included, L1 = Less showerhead, L4 = Less head, arm and flange, L7 = Less handle, TC = Test Cap Trim, and STN = Satin Nickel finish.

Dimensions



Measurements	
A	Ø 2-1/4", 57 mm
B	8-3/16", 208 mm
C	Ref. 77", 1956 mm
D	3-1/2", 89 mm
E	Ø 7-1/2", 190 mm
F	Ø 2-1/2", 63 mm
G	Ref. 32", 813 mm
H	Ref. 12", 305 mm
I	3", 76 mm
J	2-7/8", 74 mm
K	Rough-in 2-3/8" ± 1/2", 60 mm ± 13 mm
L	4", 102 mm
M	5-1/4", 133 mm

Notes:

- 1) All dimensions measured from nominal rough-in (see K as reference).
- 2) Dimensions are subject to change without notice.