




5990TRM  
Shower Valve Trim  
**Specification Submittal**

Location:

<p><b>Model Numbers</b></p> <p><input type="checkbox"/> <b>5990TRM</b> Tub/Shower System Trim</p> <p><b>Valve Options:</b> -261/262 Series Temptrol Shower Valve with TRM modifier -161/162 Series Temptrol Shower Valve requires TC modifiers</p>	<p><b>Feature Highlights</b></p> <ul style="list-style-type: none"> <li>• Birch® Shower Valve Trim</li> <li>• Requires Temptrol® Pressure Balancing Shower Valve</li> <li>• Metal lever handle</li> <li>• Showerhead not included</li> <li>• Tub spout not included</li> <li>• Components made from metal and nonmetal materials, plated in standard polished chrome finish</li> <li>• Available with TA-10 flow control spindle and T-12A cap assembly for Temptrol valve bodies installed with Test Cap (order p/n 5990 TRMTC)</li> </ul>
<p><b>Compliance</b></p> <p>-ASME A112.18.1/CSA B125.1 -Lever handle meets ADA requirements</p>  	<p><b>Options/Modifications</b></p> <p><input type="checkbox"/> <b>REB</b> Rebuild trim kit, includes TA-10 and TA-4</p> <p><input type="checkbox"/> <b>STN</b> Satin Nickel finish</p> <p><input type="checkbox"/> <b>L7</b> Less handle</p> <p><input type="checkbox"/> <b>TC</b> Test Cap Trim (includes TA-10&amp;T-12A) <i>used with 16 series Temptrol Valve</i></p> <p><b>Note:</b> Append appropriate suffix to model number.</p>
<p><b>Warranty</b></p> <p><b>Limited Lifetime</b> - to the original end purchaser in consumer/residential installations. <b>10 Years</b> - for commercial/industrial installations. Refer to <a href="http://www.symmons.com/warranty">www.symmons.com/warranty</a> for complete warranty information.</p> 	

**SKU Builder**

Series	Finish	Modifier	Flow Rate	TRM (required)	TC	Final SKU
5990	STN	L7		TRM	TC	5990STNL7TRMTC
5990	STN			TRM		5990STNTRM

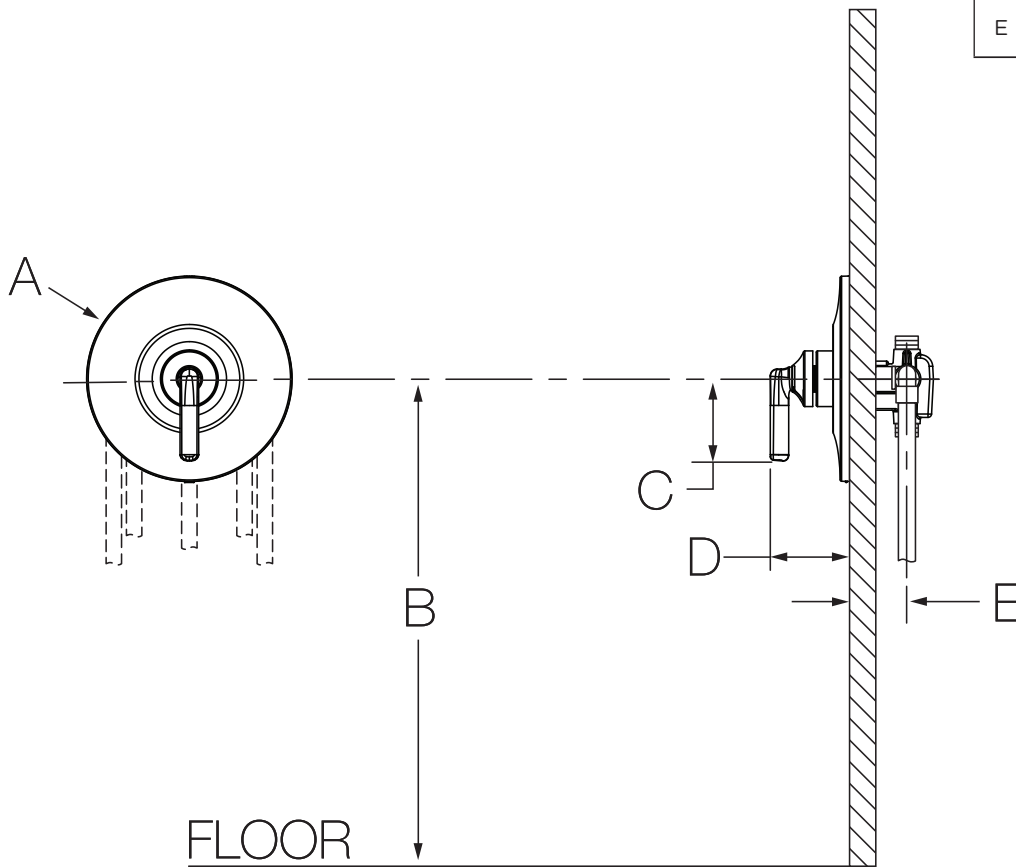
**Note:** No more than two modifiers (L1-L7) and modifier order will follow numerical order.

**Architectural/ Engineering Specification**

Symmons \_\_\_\_\_ Shower Valve Trim. Includes Birch® Shower Valve Trim, Requires Temptrol® Pressure Balancing Shower Valve, Metal lever handle, Showerhead not included, Tub spout not included, Components made from metal and nonmetal materials, plated in standard polished chrome finish, Available with TA-10 flow control spindle and T-12A cap assembly for Temptrol valve bodies installed with Test Cap (order p/n 5990 TRMTC). 10 Year Commercial Warranty. ASME A112.18.2/CSA B125.1 compliant. Lever handle meets ADA requirements. Available options: "REB -Rebuild trim kit", "STN - Satin Nickel finish" and "L7 - Less handle", "TC - Test Cap Trim".

## Dimensions

Measurements	
A	Ø 7-1/2", 191 mm
B	Ref. 42", 1067 mm
C	3", 76 mm
D	2-7/8", 74 mm
E	Rough-in 2-3/8" ± 1/2", 60 mm ± 13 mm



### Notes:

- 1) Valve body and piping not included and shown as reference only.
- 2) Plaster shield (p/n T-176) for dry wall, plaster or other type walls 1/2" or greater.
- 3) All dimensions measured from nominal rough-in (see E as reference).
- 4) Dimensions subject to change without notice.