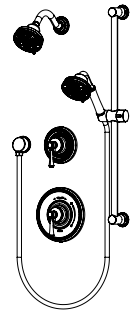




SYMMONS® Braston® Location:



5895TRM
Shower/Hand Shower Trim
Specification Submittal

Model Numbers

- 5895TRM**
Shower/Hand Shower Trim
- Valve Options:**
- 261 Series Temptrol Shower Valve with TRM modifier
 - 161 Series Temptrol Shower Valve required TC modifiers (7.6 L/min).
 - 2DIVBODYDYSRT Diverter Valve

Feature Highlights

- Braston® Shower/Hand Shower Trim.
- Requires Temptrol® Pressure Balancing Shower Valve.
- Requires Symmons Dual Outlet Diverter Valve.
- Metal lever handles.
- 30" slide bar for hand shower wand.
- Dual checks for backflow protection.
- 60" flexible metal hose.
- 7-mode HydromMersion™ hand shower wand with NSPO.
- 7-mode HydromMersion™ Showerhead with NPSO.
- Standard flow rate, 2.0 gpm (7.6 L/min).
- Components made from metal and nonmetal materials, plated in standard Polished Chrome finish
- For optional in-line vacuum breaker order p/n EF-109

Compliance

- ASME A112.18.1/CSA B125.1.
- WaterSense 1.5 gpm (5.7 L/min)/2.0 gpm (7.6 L/min).
- Lever handle and hand shower meet ADA requirements for operation.



Warranty

Limited Lifetime - for residential installations.
10 Years - for commercial/industrial installations.
 Refer to www.symmons.com/warranty for complete warranty information.



Modifications

- 15** 1.5 gpm (5.7 L/min) flow restrictor
- L2** Less handshower
- L7** Less handle
- BBZ** Brushed Bronze finish
- MB** Matte Black finish
- STN** Satin Nickel finish
- TC** Test Cap Trim (includes TA-10&T-12A) used with 161 series Temptrol Valve

Note: Append appropriate suffix to model number.

SKU Builder

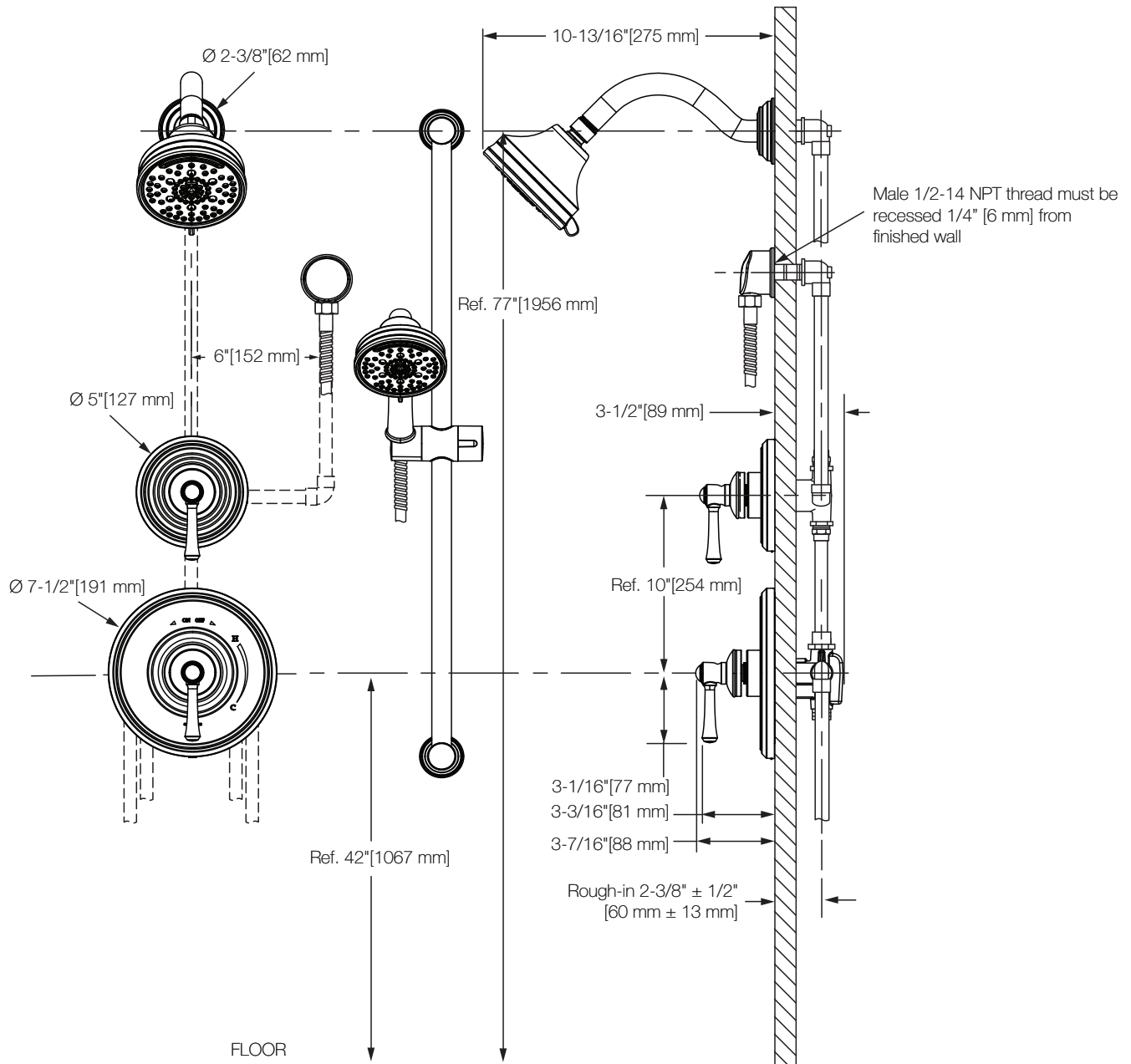
| Series | Finish | Modifier | Flow Rate | Trim (required) | Test Cap | Final SKU |
|--------|--------|----------|-----------|-----------------|----------|---------------|
| 5895 | MB | L2 | | TRM | TC | 5895MBL2TRMTC |
| 5895 | MB | | | TRM | | 5895MBTRM |

Note: No more than two modifiers (L1-L7) permitted when ordering. Modifiers will list in numerical order.

Architectural/Engineering Specification

Symmons Braston® Shower/Hand Shower Trim _____ Includes Braston® Shower/Hand Shower Trim powered by Temptrol® Pressure Balancing Shower Valve, by Symmons Dual Outlet Diverter Valve. Features include metal lever handles, 30" slide bar for hand shower wand, dual checks for backflow protection, 60" flexible metal hose, 7-mode HydromMersion™ hand shower wand with NSPO, 7-mode HydromMersion™ Showerhead with NPSO, standard flow rate, 2.0 gpm (7.6 L/min). Components made from metal and non-metal materials, plated in standard Polished Chrome finish. For optional in-line vacuum breaker order p/n EF-109. 10 Year Commercial Warranty. ASME A112.18.1/CSA B125.1 and WaterSense 1.5/2.0 complaint. Lever handle and hand shower meet ADA requirements for operation. Available options: 15 = 1.5 gpm (5.7 L/min) flow restrictor, L2 = Less handshower, L7 = Less handle, BBZ = Brushed Bronze finish, MB = Matte Black finish, STN = Satin Nickel finish, and TC = Test Cap Trim.

Dimensions



Notes:

- 1) Valve body and piping not included and shown as reference only.
- 2) Plaster shield (p/n T-176) for dry wall, plaster or other type walls $1/2"$ or greater.
- 3) All dimensions measured from nominal rough-in (see $2\text{-}3/8" \pm 1/2"$ [60 mm \pm 13 mm] as reference).
- 4) Dimensions subject to change without notice.