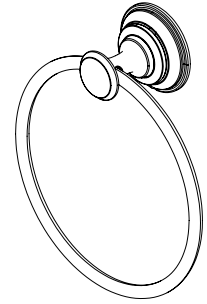



Location:



583TR
Towel Ring
Specification Submittal

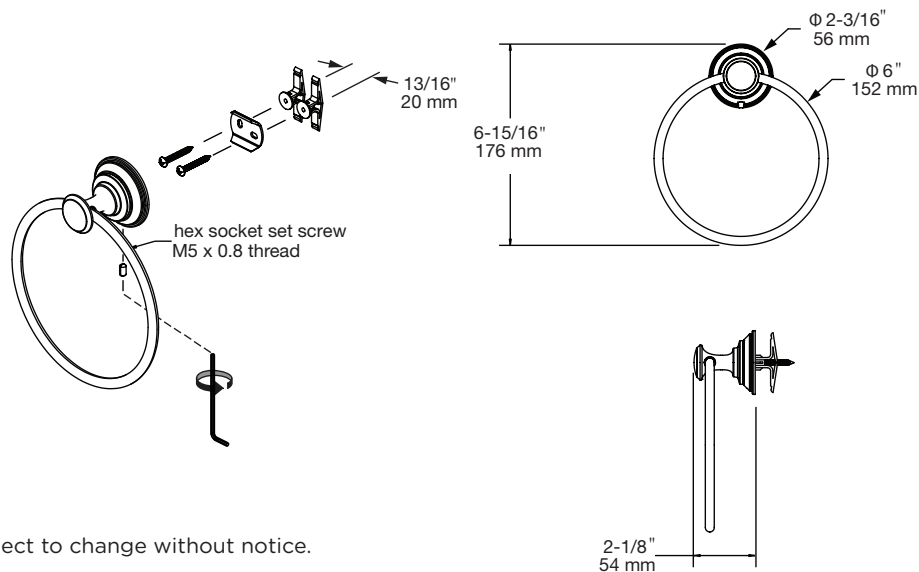
Model Numbers	Feature Highlights
<input type="checkbox"/> 583TR Towel Ring	<ul style="list-style-type: none"> • Metal construction • Standard finish is polished chrome • RA-09132 mounting bracket included
Options/ Modifications	Warranty
<input type="checkbox"/> STN Satin Nickel finish <input type="checkbox"/> MB Matte Black finish <input type="checkbox"/> BBZ Brushed Bronze finish	<p>Limited Lifetime - to the original end purchaser in consumer/residential installations. 10 Years - for commercial/industrial installations. Refer to www.symmons.com/warranty for complete warranty information.</p> 

Note: Append appropriate suffix to model number.

Architectural/ Engineering Specification

Symmons Braston® Towel Ring _____ Includes Metal construction, Standard finish is polished chrome, RA-09132 mounting bracket included. 10 Year Commercial Warranty. Available options: "STN - Satin Nickel finish", "MB - Matte Black finish", "BBZ - Brushed Bronze finish".

Dimensions



Note:
1) Dimensions subject to change without notice.