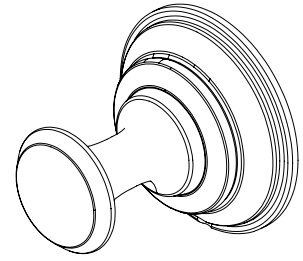





SYMMONS® Braston®

Location:



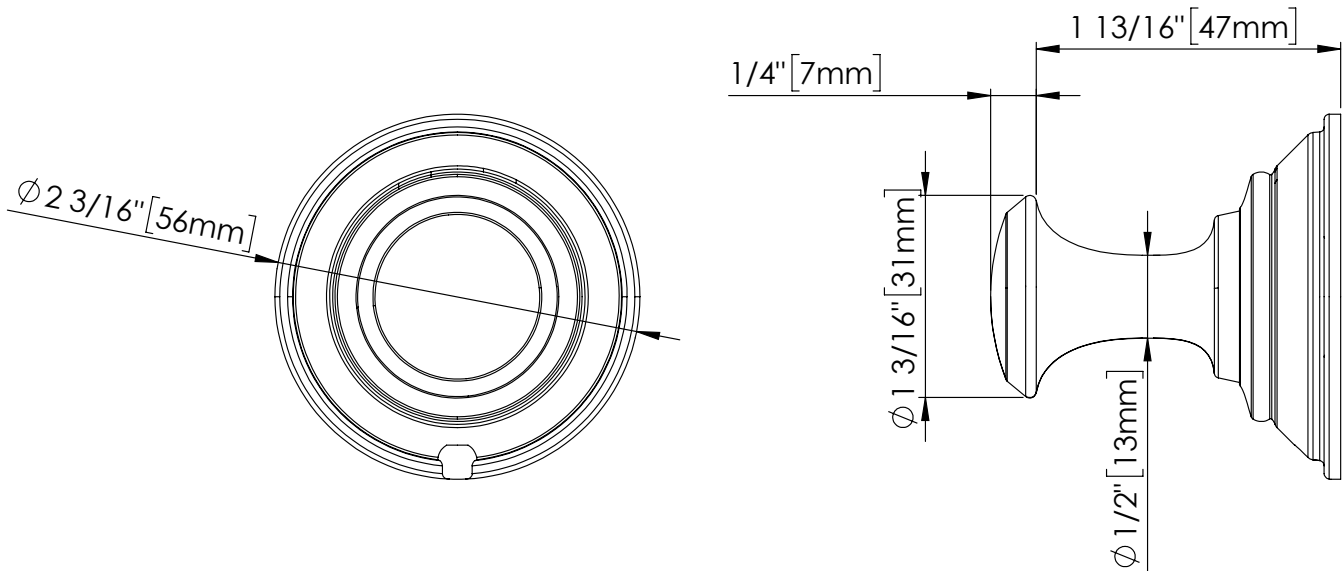
583RH
Robe Hook
Specification Submittal

Model Numbers	Options/Modifications
<input type="checkbox"/> 583RH Robe Hook	<input type="checkbox"/> STN Satin Nickle finish <input type="checkbox"/> MB Matte Black finish <input type="checkbox"/> BBZ Brushed Bronze finish
Feature Highlights	Warranty
<ul style="list-style-type: none"> • Metal construction • Standard finish is polished chrome • RA-09132 mounting hardware included 	<p>Limited Lifetime - to the original end purchaser in consumer/residential installations. 10 Years - for commercial/industrial installations. Refer to www.symmons.com/warranty for complete warranty information.</p> 

Architectural/Engineering Specification

Symmons _____ robe hook includes metal construction, polished chrome standard finish, and RA-09132 mounting hardware. 10 Year Commercial Warranty. Available options: "STN - Satin Nickel finish", and "MB - Matte Black finish".

Dimensions



Note:

1) Dimensions subject to change without notice.