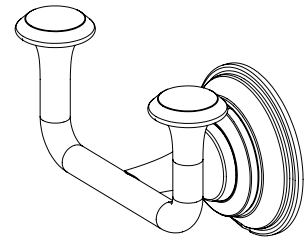





SYMMONS® Braston®

Location:



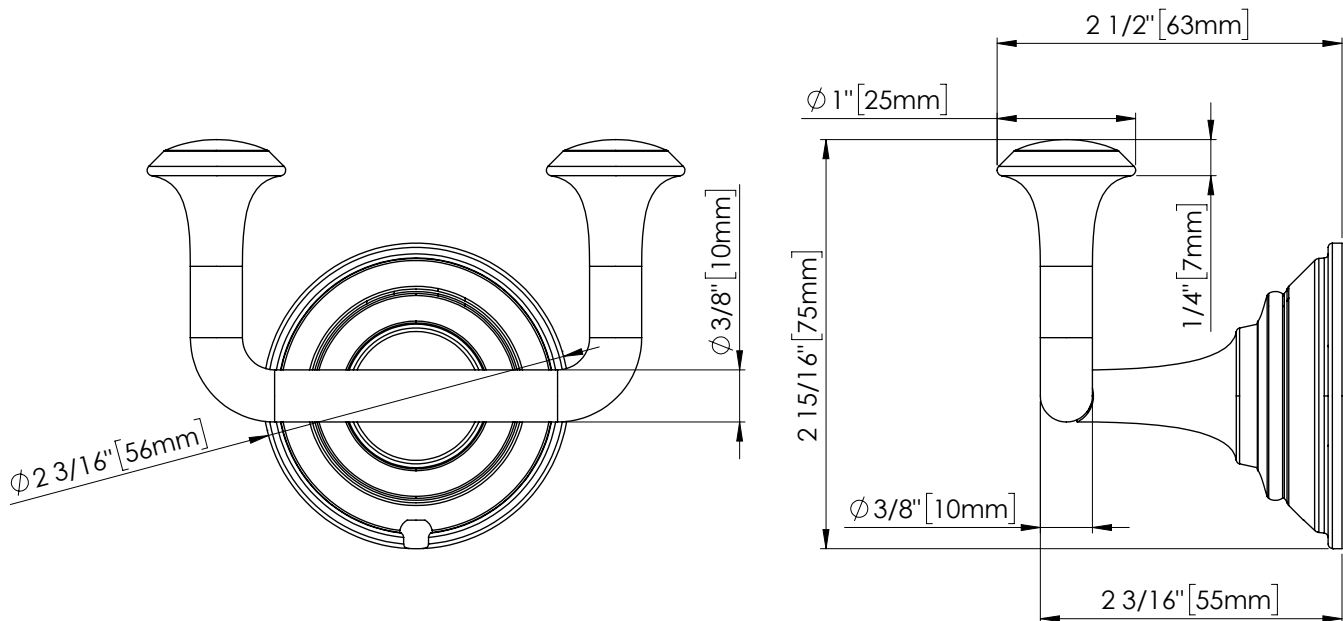
583DRH
Double Robe Hook
Specification Submittal

| | |
|---------------------------------------------------------------------------------------------------------------------------------------------------------------------|------------------------------------------------------------------------------------------------------------------------------------------------------------------------------------------------------------------------------------------------------------------------------------------------------------------------------------------------------------------------------|
| <p>Model Numbers</p> | <p>Options/Modifications</p> |
| <p><input type="checkbox"/> 583DRH Double Robe Hook</p> | <p><input type="checkbox"/> STN Satin Nickle finish <input type="checkbox"/> MB Matte Black finish <input type="checkbox"/> BBZ Brushed Bronze finish</p> |
| <p>Feature Highlights</p> | <p>Warranty</p> |
| <ul style="list-style-type: none"> • Metal construction • Standard finish is polished chrome • RA-09132 mounting hardware included | <p>Limited Lifetime - to the original end purchaser in consumer/residential installations. 10 Years - for commercial/industrial installations. Refer to www.symmons.com/warranty for complete warranty information.</p>  |

Architectural/Engineering Specification

Symmons _____ Double Robe Hook includes metal construction, polished chrome standard finish, and RA-09132 mounting hardware. 10 Year Commercial Warranty. Available options: "STN - Satin Nickel finish", and "MB - Matte Black finish".

Dimensions



Note:

1) Dimensions subject to change without notice.