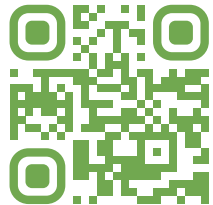


5690TRM  
Shower Valve Trim

Location:

**Specification Submittal**

<p><b>Model Numbers</b></p> <p><input type="checkbox"/> <b>5690TRM</b> Tub/Shower Trim</p> <p><b>Valve Options:</b> -261/262 Series Temptrol Shower Valve with TRM modifier -161/162 Series Temptrol Shower Value requires TC modifiers</p>	<p><b>Feature Highlights</b></p> <ul style="list-style-type: none"> <li>• Oak Shower Valve Trim.</li> <li>• Requires Temptrol® Pressure Balancing Shower Valve.</li> <li>• Metal lever handle.</li> <li>• Components are made from metal and nonmetal materials, plated in standard Polished Chrome finish.</li> </ul>
<p><b>Options/Modifications</b></p> <p><input type="checkbox"/> <b>REB</b> Rebuild Trim Kit, includes TA-10 and TA-4</p> <p><input type="checkbox"/> <b>BBZ</b> Brushed Bronze finish</p> <p><input type="checkbox"/> <b>MB</b> Matte Black finish</p> <p><input type="checkbox"/> <b>STN</b> Satin Nickel finish</p> <p><input type="checkbox"/> <b>L7</b> Less handle</p> <p><input type="checkbox"/> <b>TC</b> Test Cap Trim (includes TA-10&amp;T-12A) <i>used with 161/162 series Temptrol Valve</i></p> <p><b>Note:</b> Append appropriate suffix to model number.</p>	<p><b>Compliance</b></p> <ul style="list-style-type: none"> <li>• ASME A112.18.1/CSA B125.1.</li> <li>• Lever handle meets ADA requirements for operation.</li> </ul> <p><b>Warranty</b></p> <p><b>Limited Lifetime</b> - for residential installations. <b>10 Years</b> - for commercial/industrial installations. Refer to <a href="http://www.symmons.com/warranty">www.symmons.com/warranty</a> for complete warranty information.</p> 

**SKU Builder**

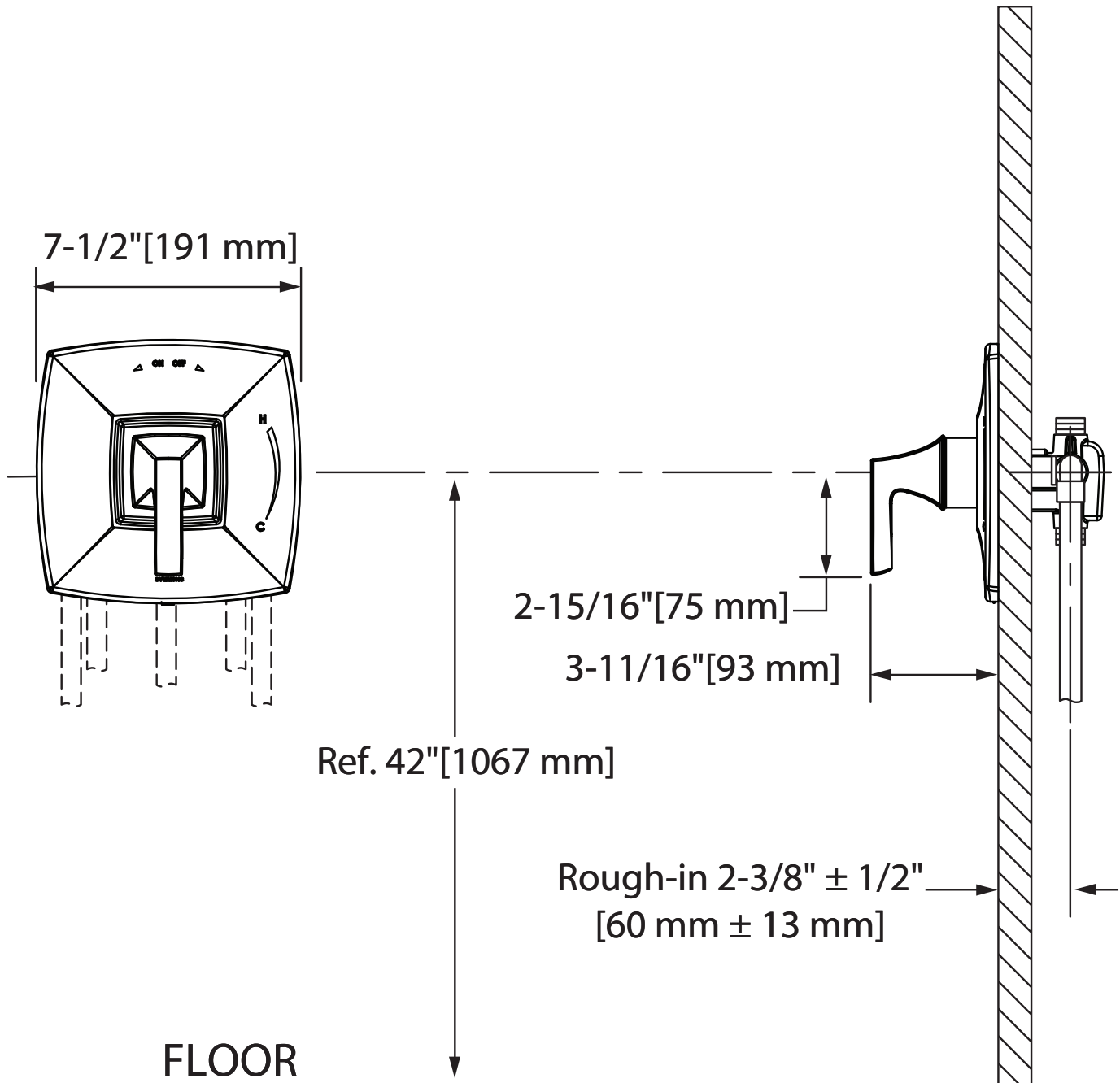
Series	Finish	Modifier	Flow Rate	TRM (required)	TC	Final SKU
5690	MB	L7		TRM	TC	5690MBL7TRMTC
5690	MB			TRM		5690MBTRM

**Note:** No more than two modifiers (L1-L7) permitted when ordering. Modifiers will list in numerical order.

**Architectural/ Engineering Specification**

Symmons Oak Shower Valve Trim \_\_\_\_\_ Includes Oak Shower Valve Trim for Temptrol® Pressure Balancing Shower Valve, and metal lever handle. Components are made from metal and nonmetal materials, plated in standard Polished Chrome finish. 10 Year Commercial Warranty. ASME A112.18.2/CSA B125.1 compliant. Lever handle meets ADA requirements for operation. Available options: REB = Rebuild Trim Kit, BBZ = Brushed Bronze finish, STN = Satin Nickel finish, MB = Matte Black finish, L7 = Less handle and TC = Test Cap Trim (includes TA-10&T-12A).

## Dimensions



### Notes:

- 1) Valve body and piping not included and shown as reference only.
- 2) Plaster shield (p/n T-176) for dry wall, plaster or other type walls 1/2" or greater.
- 3) All dimensions measured from nominal rough-in (see Rough-in 2-3/8" ± 1/2"[60 mm ± 13 mm] as reference).
- 4) Dimensions subject to change without notice.