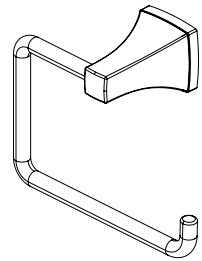


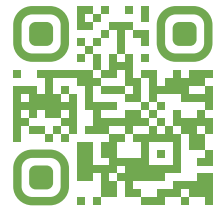
Location:



563TR
Towel Ring
Specification Submittal



Model Numbers	Feature Highlights
<input type="checkbox"/> 563TR Towel Ring	<ul style="list-style-type: none">• Metal construction• Standard finish is polished chrome• RA-09132 mounting bracket included
Options/ Modifications	
<input type="checkbox"/> STN Satin Nickel finish	
<input type="checkbox"/> MB Matte Black finish	
<input type="checkbox"/> BBZ Brushed Bronze finish	
	Warranty
	<p>Limited Lifetime - to the original end purchaser in consumer/residential installations.</p> <p>10 Years - for commercial/industrial installations. Refer to www.symmons.com/warranty for complete warranty information.</p>

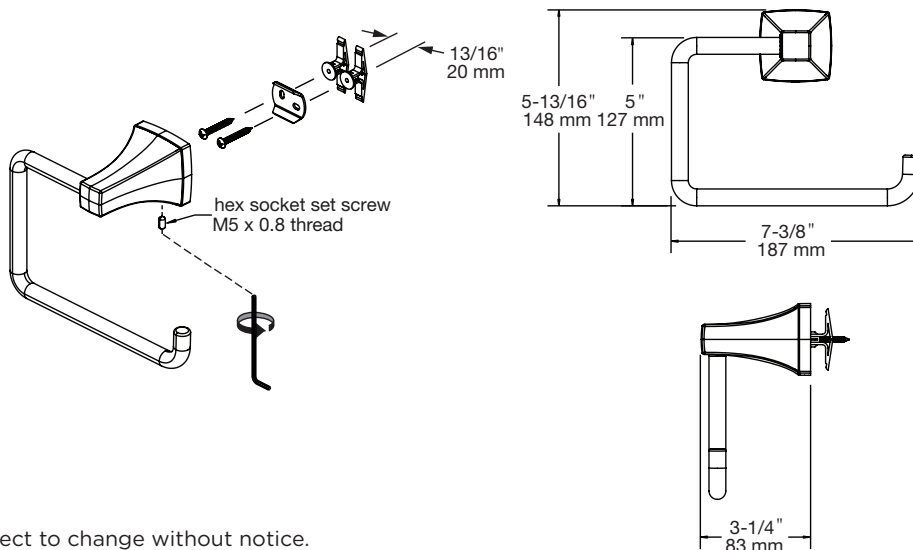


Note: Append appropriate suffix to model number.

Architectural/ Engineering Specification

Symmons Oak® Towel Ring _____ Includes Metal construction, Standard finish is polished chrome, RA-09132 mounting bracket included. 10 Year Commercial Warranty. Available options: "STN - Satin Nickel finish", "MB - Matte Black finish", "BBZ - Brushed Bronze finish".

Dimensions



Note:
1) Dimensions subject to change without notice.