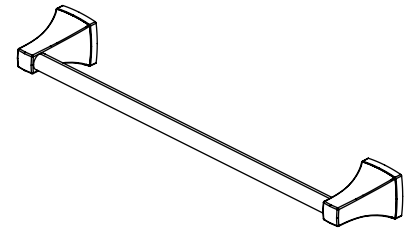




**SYMMONS**® Oak<sup>®</sup>


Location:



563TB18, 563TB24

Towel Bar

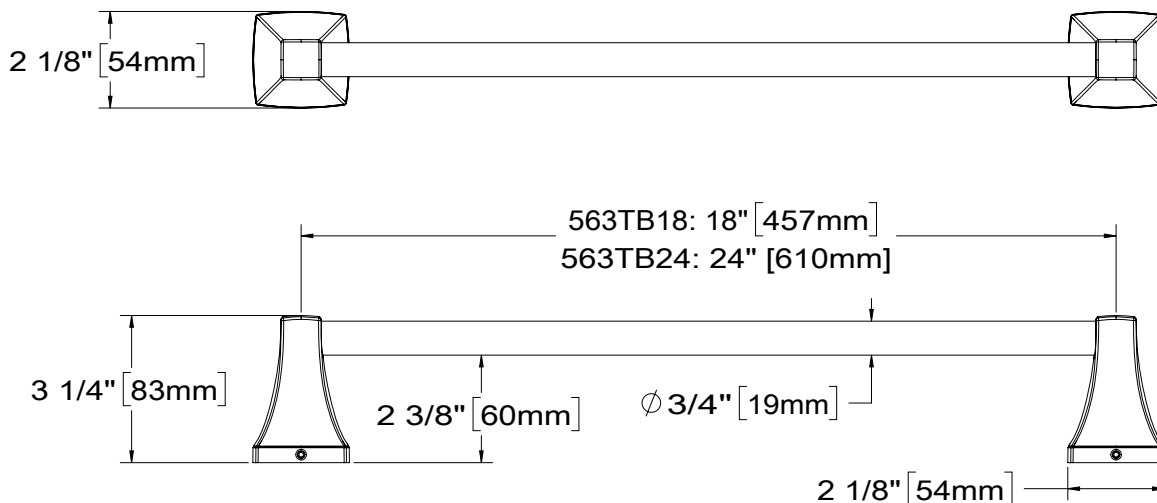
**Specification Submittal**

<p><b>Model Numbers</b></p>	<p><b>Options/Modifications</b></p>
<p><input type="checkbox"/> <b>563TB18</b> 18 in. Towel Bar</p> <p><input type="checkbox"/> <b>563TB24</b> 24 in. Towel Bar</p>	<p><input type="checkbox"/> <b>STN</b> Satin Nickel finish</p> <p><input type="checkbox"/> <b>MB</b> Matte Black finish</p>
<p><b>Feature Highlights</b></p>	<p><b>Warranty</b></p>
<ul style="list-style-type: none"> <li>• Metal construction</li> <li>• Standard finish is polished chrome</li> <li>• RA-09132 mounting hardware included</li> </ul>	<p><b>Limited Lifetime</b> - to the original end purchaser in consumer/residential installations.</p> <p><b>10 Years</b> - for commercial/industrial installations. Refer to <a href="http://www.symmons.com/warranty">www.symmons.com/warranty</a> for complete warranty information.</p> 

**Architectural/Engineering Specification**

Symmons \_\_\_\_\_ towel bar includes metal construction, polished chrome standard finish, and RA-09132 mounting hardware. 10 Year Commercial Warranty. Available options: "STN - Satin Nickel finish" and "MB - Matte Black finish".

**Dimensions**



**Note:**

1) Dimensions subject to change without notice.