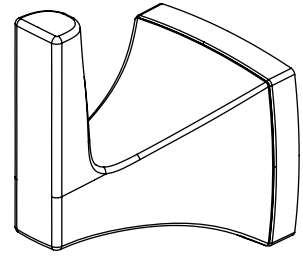





SYMMONS® Oak®

Location:



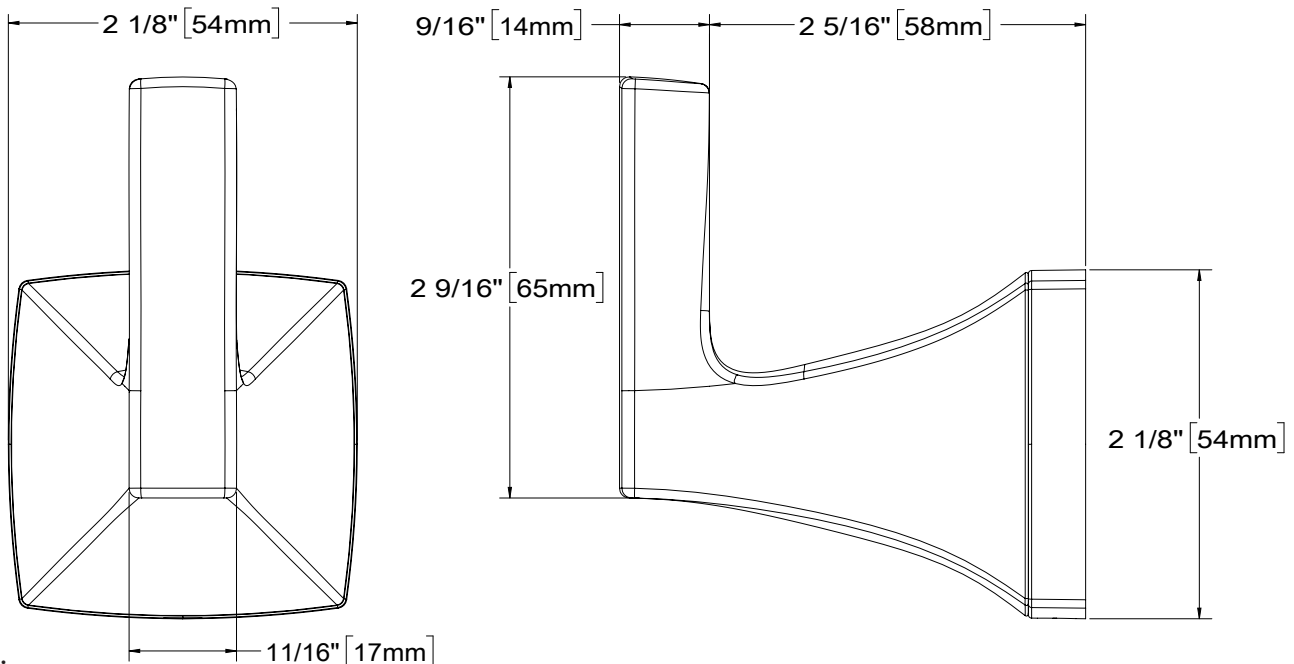
563RH
Robe Hook
Specification Submittal

<p>Model Numbers</p>	<p>Options/Modifications</p>
<p><input type="checkbox"/> 563RH Robe Hook</p>	<p><input type="checkbox"/> STN Satin Nickel finish <input type="checkbox"/> MB Matte Black finish</p>
<p>Feature Highlights</p>	<p>Warranty</p>
<ul style="list-style-type: none"> • Metal construction • Standard finish is polished chrome • RA-09132 mounting hardware included 	<p>Limited Lifetime - to the original end purchaser in consumer/residential installations. 10 Years - for commercial/industrial installations. Refer to www.symmons.com/warranty for complete warranty information.</p> 

Architectural/Engineering Specification

Symmons _____ robe hook includes metal construction, polished chrome standard finish, and RA-09132 mounting hardware. 10 Year Commercial Warranty. Available options: "STN - Satin Nickel finish", and "MB - Matte Black finish".

Dimensions



Note:
1) Dimensions subject to change without notice.